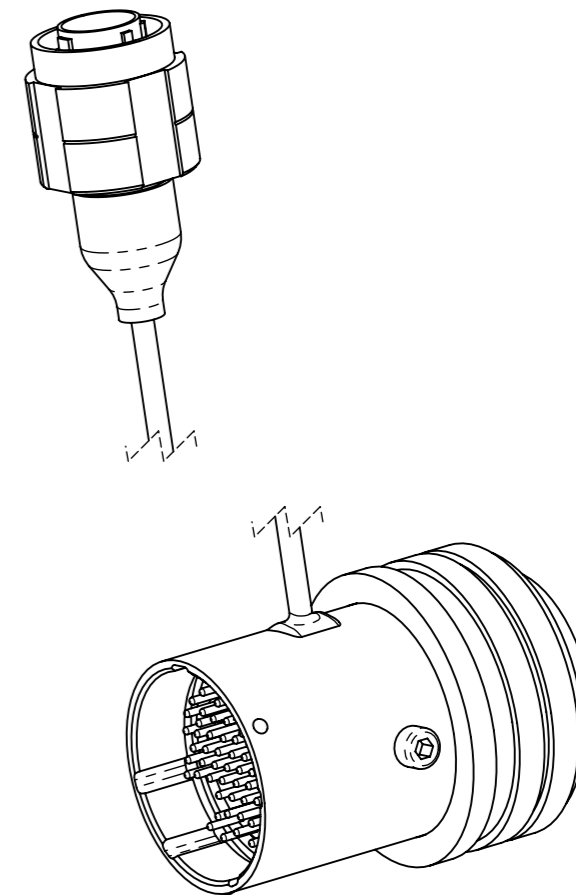


NOTES:

- THE CONNECTOR DESIGNED TO MATE WITH:
J1: MIL-C-5015 SERIES, PIN, 22-14 ARRANGEMENT, NORMAL KEY
J2: DLN-66L20-34SN DEUTSCH
 MARKING BY WHITE COLOR: MANUFACTURER P/N, DATE CODE
 MARKING BY WHITE COLOR: CONNECTORS/SIDES NAME (J1,J2,J3)

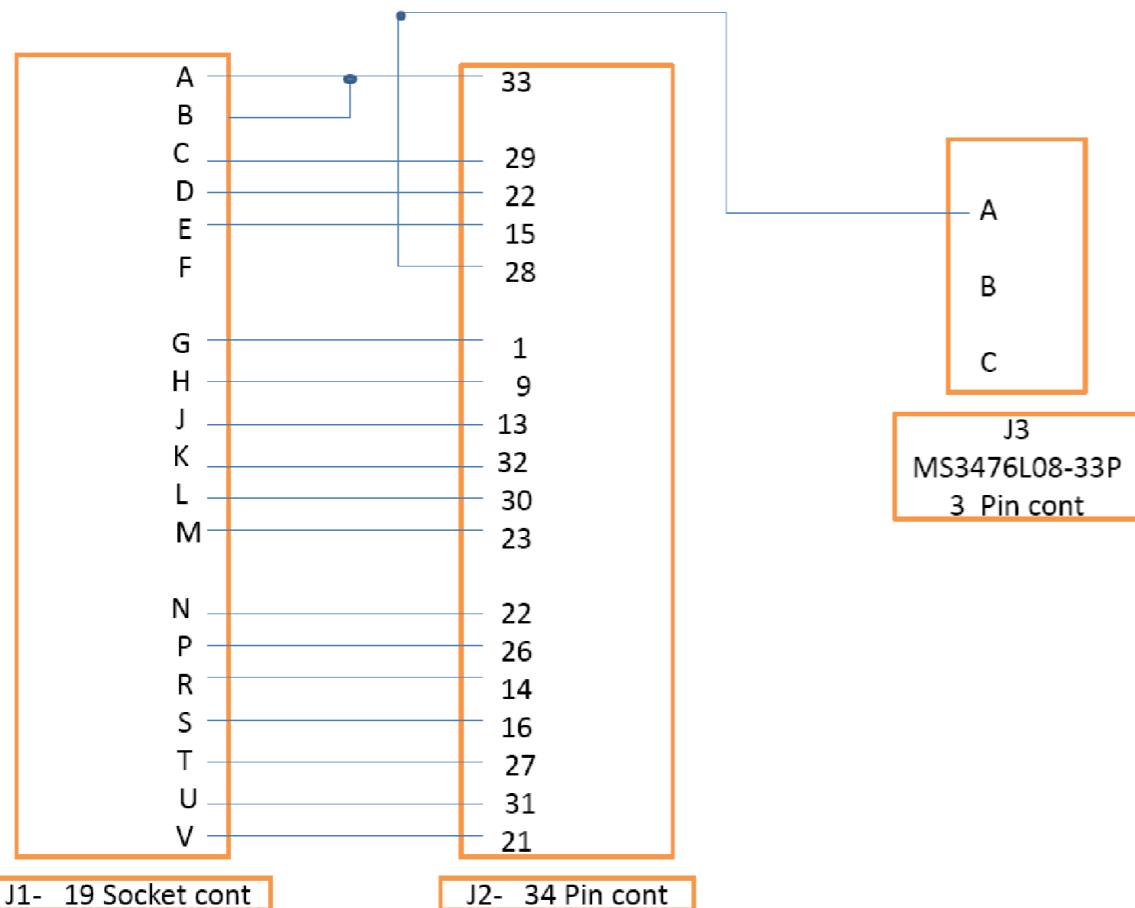


REV.	CHANGE ORDER No.	CHANGES	DATE	APPROVAL



NAME	POSITION	DATE	THIS DOCUMENT CONTAINS PROPRIETARY INFORMATION OF RF IMMUNITY LTD. AND MAY NOT BE REPRODUCED, COPIED, DISCLOSED OR UTILIZED IN ANY WAY IN WHOLE OR IN PART, WITHOUT THE PRIOR WRITTEN CONSENT OF RF IMMUNITY LTD.	PROJECT		
YURI ZARHIN	MECHANIC. DESIGN	16.02.10			DO NOT MEASURE ON DWG. BREAK SHARP CORNERS. ALL UNDIMENSIONED RADIUS ARE R=0.2	...
YURI ZARHIN	DRAWING	16.02.10				
EYAL RONEN	ELECTR. DESIGN	16.02.10				
REGINA YOFFE	PA.	16.02.10				
NIR NISSIM	APPROVAL	16.02.10				
NEXT ASSY.	SURF. FINISH					
...	N7					
SURFACE TREATMENTS:			MATERIAL			
...					
ANGLE PROJECTION	TOLER.	TITLE:				
	X. ±0.5	CD FOR 19 SOCKET - 34 PIN CONT. ADAPTOR				
	X.X ±0.2					
	X.XX ±0.05					
SCALE	N.A.	ANGLES ±30'	SIZE	DRAWING NO.		
DIM.	Sheet 1		A3	AU001152		
IN	OF 2			REV.		
				NEW		

REV.	CHANGE ORDER No.	CHANGES	DATE	APPROVAL



Test Methods:

Automatic Testing per MIL-C-3885F paragraph 4.2.2

1. Continuity test @ 10V
2. Dielectric Withstanding Voltage and Insulation Resistance @ 1000V±10% - 100MΩ Min
(measured between each contact and the remaining contacts and between each contact and ground)

Materials and Finishes:

Shell	Aluminum Alloy, Black Anodize plating
Insulator	Pom C -Black Delrin
Pin Contacts	Per M39029/4-110
Socket Contacts	Per M39029/30-218
Potting	Epoxy Cast

NAME	POSITION	DATE	THIS DOCUMENT CONTAINS PROPRIETARY INFORMATION OF RF IMMUNITY LTD. AND MAY NOT BE REPRODUCED, COPIED, DISCLOSED OR UTILIZED IN ANY WAY IN WHOLE OR IN PART, WITHOUT THE PRIOR WRITTEN CONSENT OF RF IMMUNITY LTD.	PROJECT	
YURI ZARHIN	MECHANIC. DESIGN	16.02.10		DO NOT MEASURE ON DWG. BREAK SHARP CORNERS. ALL UNDIMENSIONED RADIUS ARE R=0.2	...
YURI ZARHIN	DRAWING	16.02.10			
EYAL RONEN	ELECTR. DESIGN	16.02.10			
REGINA YOFFE	PA.	16.02.10			
NIR NISSIM	APPROVAL	16.02.10	MATERIAL	...	
NEXT ASSY. SURF. FINISH					
---			N7		
SURFACE TREATMENTS:			----		

ANGLE PROJECTION	TOLER.	TITLE:			
	X. ±0.5	CD FOR 19 SOCKET - 34 PIN CONT. ADAPTOR			
	X.X ±0.2				
	X.XX ±0.05				
SCALE N.A.	ANGLES ±30'	SIZE	DRAWING NO.	REV.	
DIM. IN MM	Sheet2 OF 2	A3	AU001152	NEW	