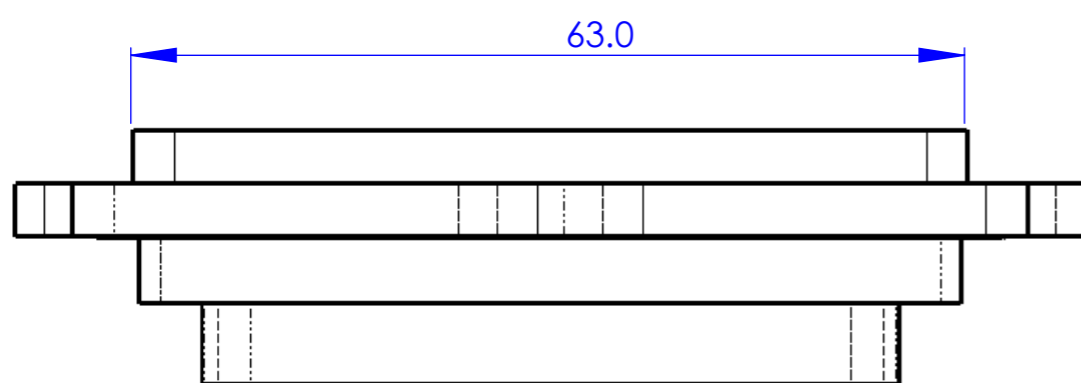
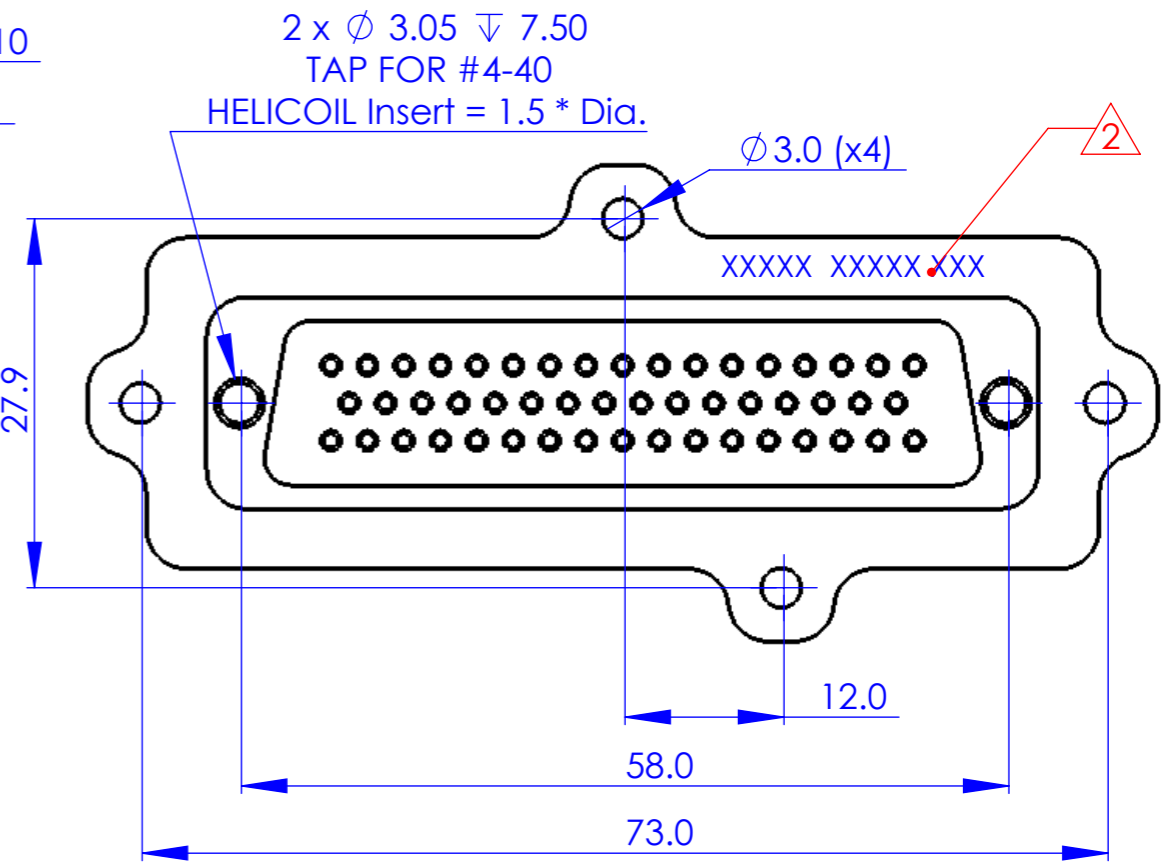
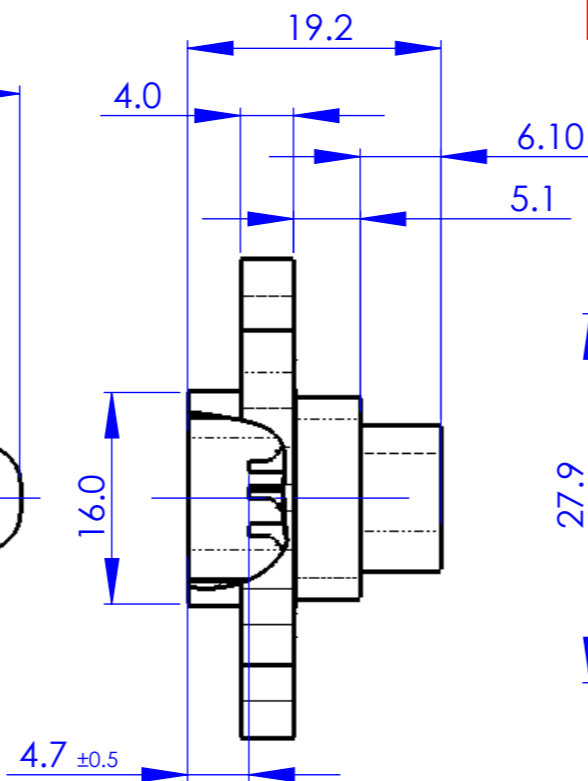
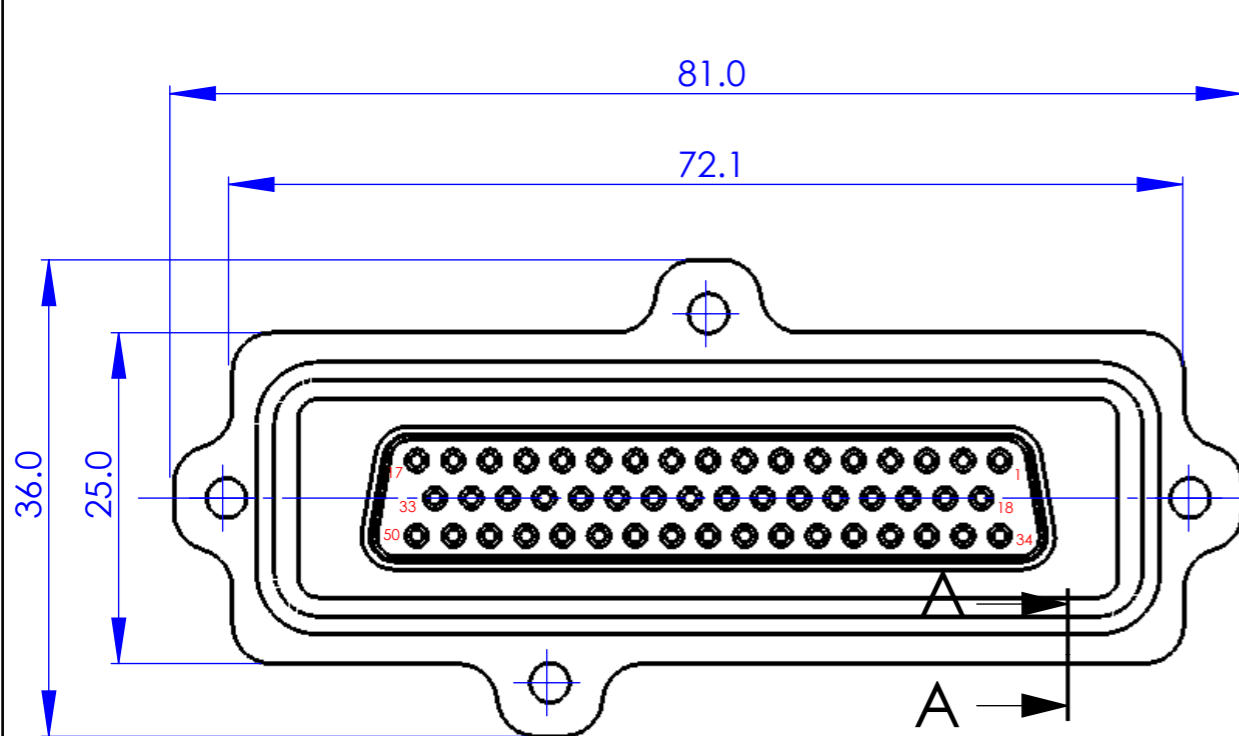
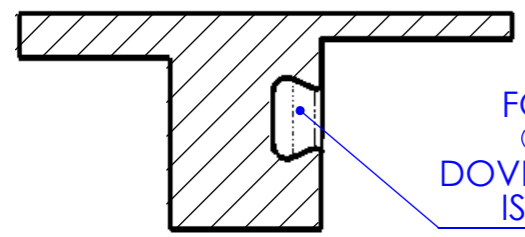


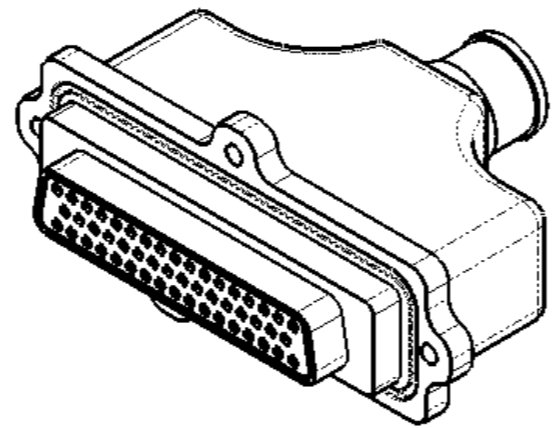
HOOD REMOVED FOR CLARITY



SECTION A-A
SCALE 5:1



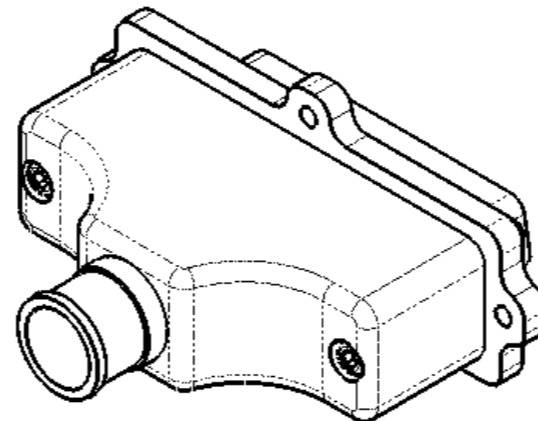
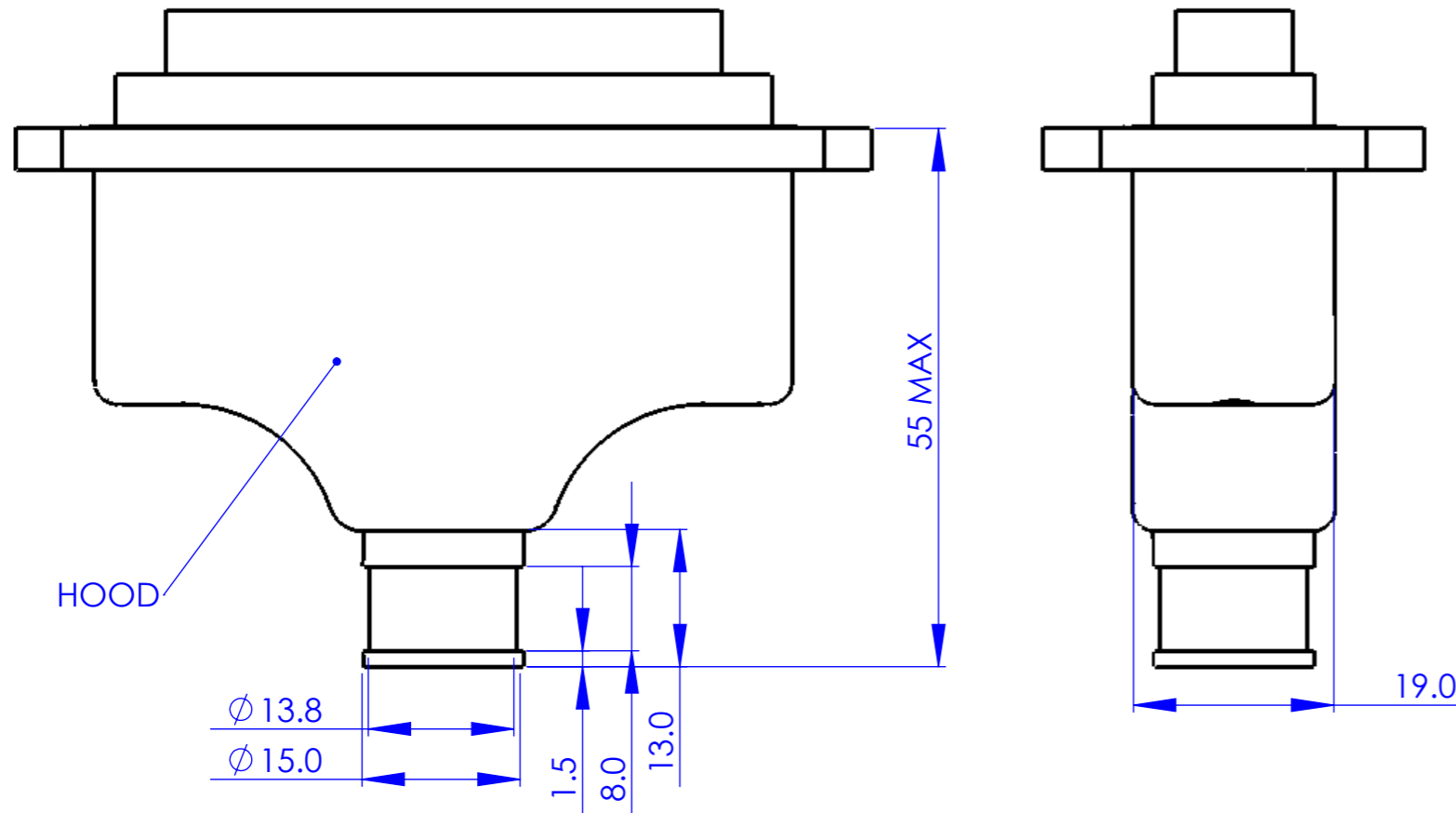
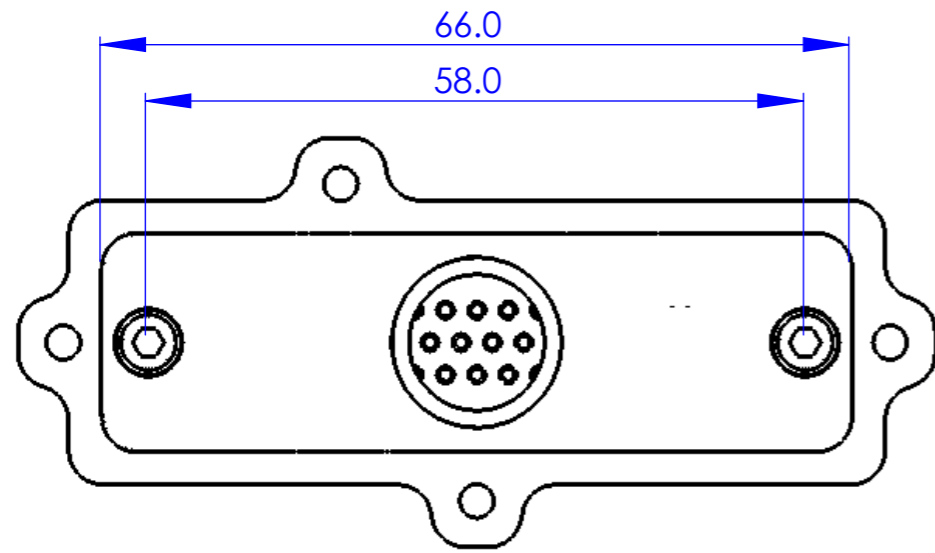
FOR O-RING
Ø 1.78 mm
DOVETAIL GROOVE
IS OPTIONAL



REV.	CHANGE ORDER No.	CHANGES	DATE	APPROVAL

NAME	POSITION	DATE	THIS DOCUMENT CONTAINS PROPRIETARY INFORMATION OF RF IMMUNITY LTD. AND MAY NOT BE REPRODUCED, COPIED, DISCLOSED OR UTILIZED IN ANY WAY IN WHOLE OR IN PART, WITHOUT THE PRIOR WRITTEN CONSENT OF RF IMMUNITY LTD.	
NIR NISSIM	MECHANIC. DESIGN	30.06.13	DO NOT MEASURE ON DWG. BREAK SHARP CORNERS. ALL UNDIMENSIONED RADIUS ARE R=0.2	
NIR NISSIM	DRAWING	30.06.13		
EYAL RONEN	ELECTR. DESIGN	30.06.13		
REGINA YOFFE	PA.	30.06.13		
YURI ZARHIN	APPROVAL	30.06.13		
NEXT ASSY.	SURF. FINISH		PROJECT	...
...	N7		MATERIAL	
SURFACE TREATMENTS:			
ANGLE PROJECTION	TOLER.	TITLE:		
	X. ±0.5	CD FOR D-SUB 50 SOCKET CONTACTS		
	X.X ±0.2	RECEPTACLE (FEMALE) . SEALED CONNECTOR		
	X.XX ±0.05	SCALE	DRAWING NO.	REV.
	ANGLES ±30'	N.A.	A3	5
DIM. IN MM	Sheet 1 OF 2		AU001280	

RF Immunity Ltd.



- NOTES:
1. THE MATING SIDE SHAPE BASED ON MIL-DTL-24308
 2. MARKING: MFR P/No, DATE CODE.
 3. FLANGE DIMENSIONS PER CUSTOMER 3D MODEL.
 4. THE CONNECTOR WILL BE SUPPLIED WITHOUT O-RING SEAL.

REV.	CHANGE ORDER No.	CHANGES	DATE	APPROVAL

Electrical Characteristics:

Contact Current Rating = 7.5 A
 Min. Insulation Resistance = 1GΩ

Environmental:

Temperature - -40°C to +105°C
 Shock - 40g X 6msec
 Vibration - 20g RMS @ 20-2000Hz
 Humidity - Up to 95% R.H
 Durability - 500 cycles
 Sealing - IP 68

Materials and Finishes:

Shell & Hood - Stainless Steel 316, Passivation per QQ-P-35, type 1.
 Contacts - Copper Alloy, 1.0-1.27 μm Gold Plated Over Nickel
 Solder Cup - Copper Alloy, Tin Plated per MIL-T-10727 type 1, 5-7μm over Electroless Nickel 1.3-2.6 μm
 Insulator - Thermoplastic / Thermoset per Mil-DTL-24308
 Potting - Epoxy Cast

NAME	POSITION	DATE	THIS DOCUMENT CONTAINS PROPRIETARY INFORMATION OF RF IMMUNITY LTD. AND MAY NOT BE REPRODUCED, COPIED, DISCLOSED OR UTILIZED IN ANY WAY IN WHOLE OR IN PART, WITHOUT THE PRIOR WRITTEN CONSENT OF RF IMMUNITY LTD.	
NIR NISSIM	MECHANIC. DESIGN	30.06.13	DO NOT MEASURE ON DWG. BREAK SHARP CORNERS. ALL UNDIMENSIONED RADIUS ARE R=0.2	
NIR NISSIM	DRAWING	30.06.13		
EYAL RONEN	ELECTR. DESIGN	30.06.13		
REGINA YOFFE	PA.	30.06.13		
YURI ZARHIN	APPROVAL	30.06.13	PROJECT	
NEXT ASSY.	SURF. FINISH		...	
...	N7		...	
SURFACE TREATMENTS:			MATERIAL	
....			
ANGLE PROJECTION	TOLER.	TITLE:		
	X. ±0.5	CD FOR D-SUB 50 SOCKET CONTACTS RECEPTACLE (FEMALE) . SEALED CONNECTOR		
	X.X ±0.2			
	X.XX ±0.05			
SCALE N.A.	ANGLES ±30'	SIZE	DRAWING NO.	REV.
DIM. IN MM	Sheet2 OF 2	A3	AU001280	5

