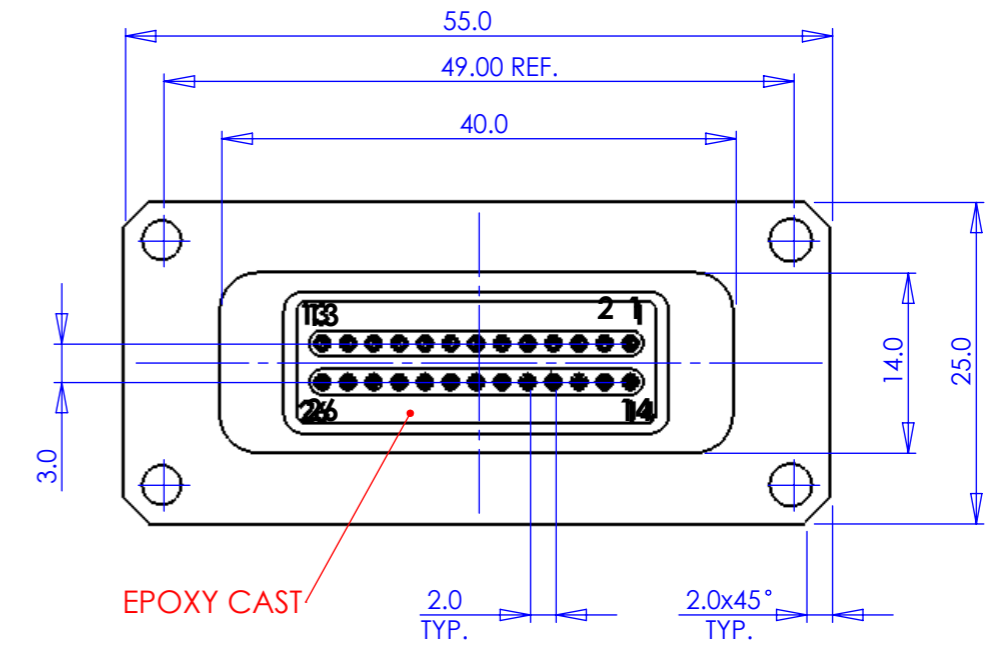
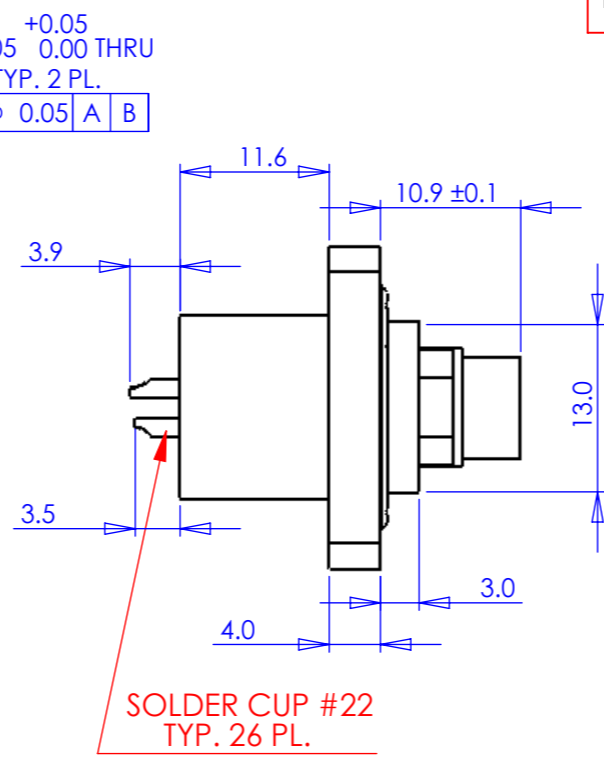
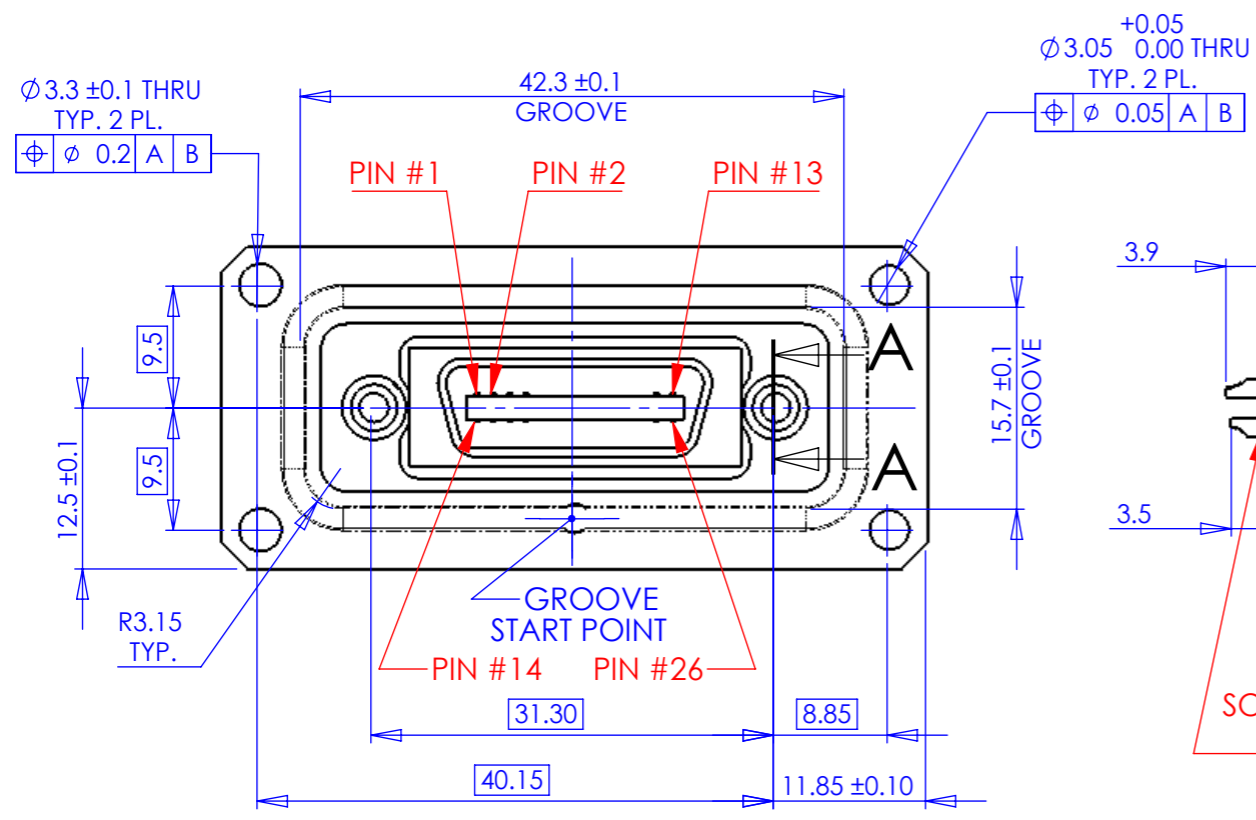


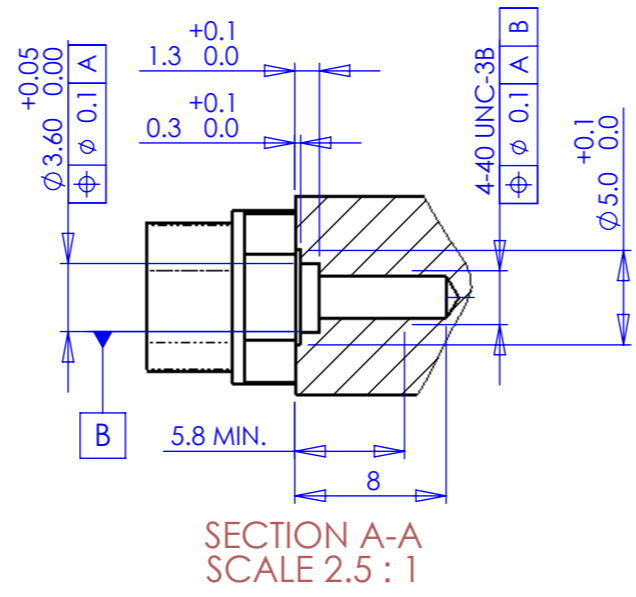
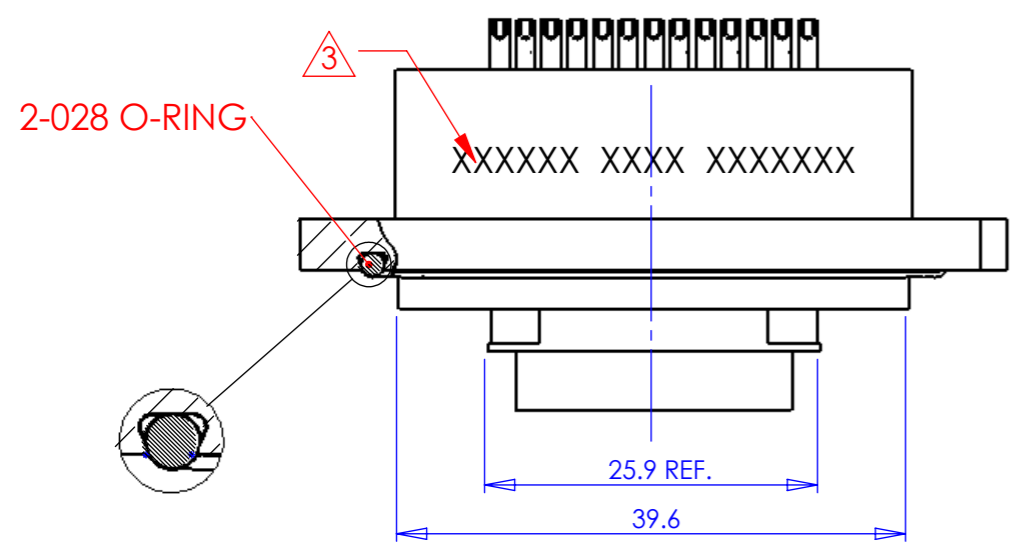
REV.	CHANGE ORDER No.	CHANGES	DATE	APPROVAL
NEW	--	RELEASED	23.05.16	YURI Z.



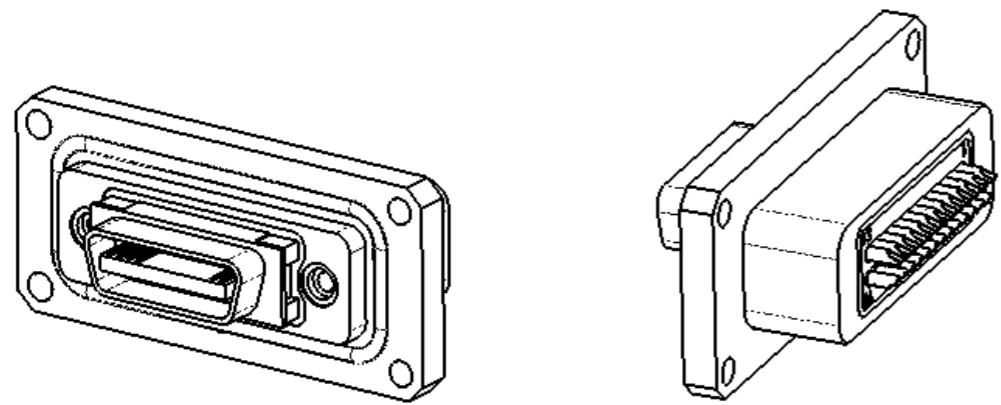
- NOTES:
1. BASED ON MDR CONNECTOR P/N: 10126-900APL, "3M" mfr.
  2. SEALING: LEAKAGE UP TO  $10^{-5}$  cm<sup>3</sup>/sec Helium DP=1 atm.
  3. MARKING: MANUFACTURER P/N, DATE CODE

**Materials and Finishes:**

MDR Connector	Per manufacturer specification
Solder Cups	Copper Alloy, Tin plated
Housing	Al 6061-T6 Alloy, Chromate Conversion Coating per MIL-DTL-5541, Type 1, Class 1A
O-Ring	Silicon 60-70 shore
Potting	Epoxy Cast



DETAIL C SCALE 4 : 1



NAME	POSITION	DATE	THIS DOCUMENT CONTAINS PROPRIETARY INFORMATION OF RF IMMUNITY LTD. AND MAY NOT BE REPRODUCED, COPIED, DISCLOSED OR UTILIZED IN ANY WAY IN WHOLE OR IN PART, WITHOUT THE PRIOR WRITTEN CONSENT OF RF IMMUNITY LTD.	PROJECT		
YURI ZARHIN	MECHANIC. DESIGN	31.03.15			DO NOT MEASURE ON DWG. BREAK SHARP CORNERS. ALL UNDIMENSIONED RADIUS ARE R=0.2	...
YURI ZARHIN	DRAWING	31.03.15				
REGINA YOFFE	ELECTR. DESIGN	31.03.15			SURFACE TREATMENTS: MATERIAL	...
NIR NISSIM	PA.	31.03.15				
NEXT ASSY.	SURF. FINISH	31.03.15				
---	N7/(N6)					
TITLE:			CD FOR HERMETICALLY SEALED MDR 26 PLUG CONNECTOR			
SCALE	N.A.	ANGLES ±30'	SIZE	DRAWING NO.		
DIM. IN	MM	Sheet 1 OF 1	A3	AU001332		
			REV.	NEW		