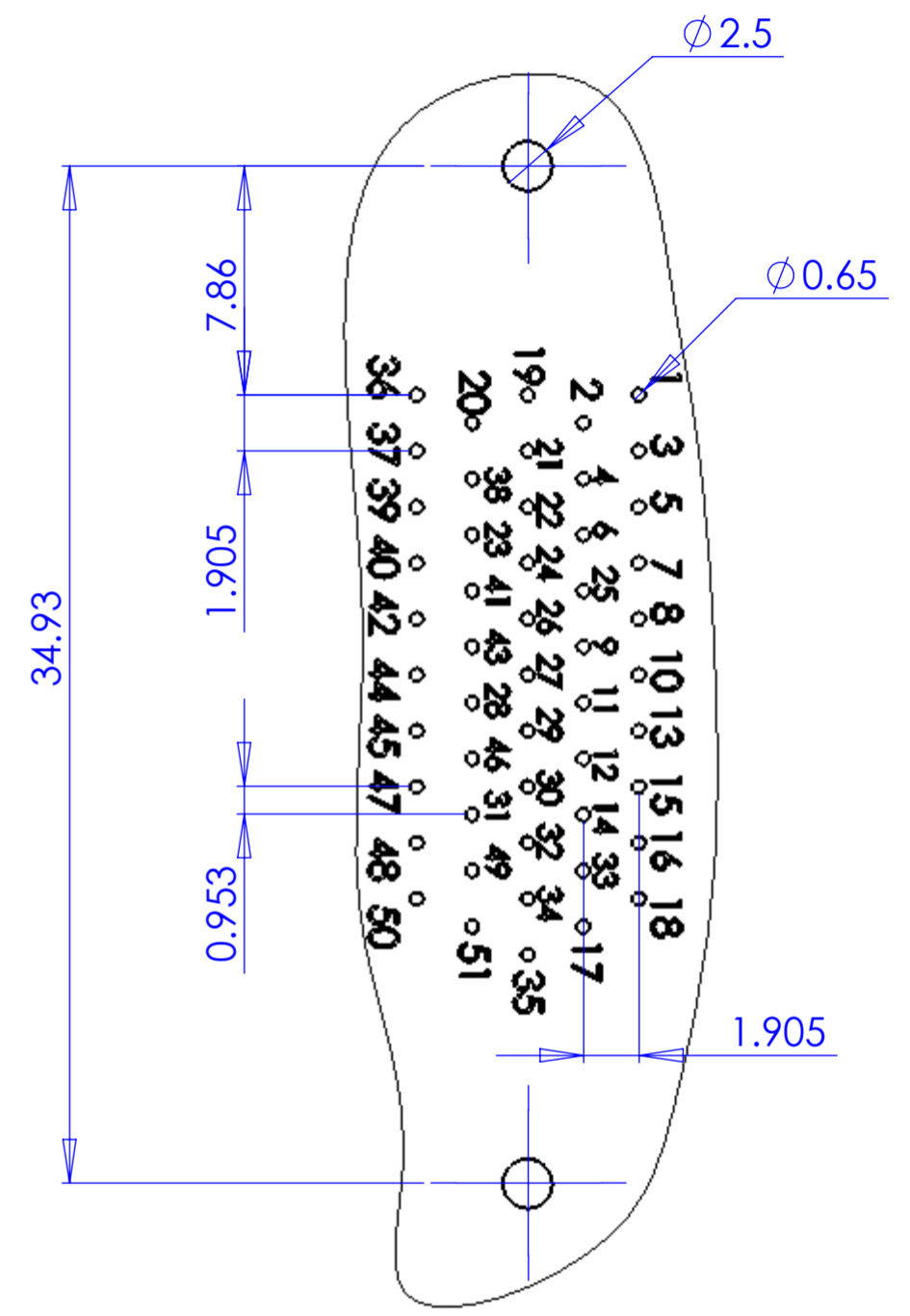
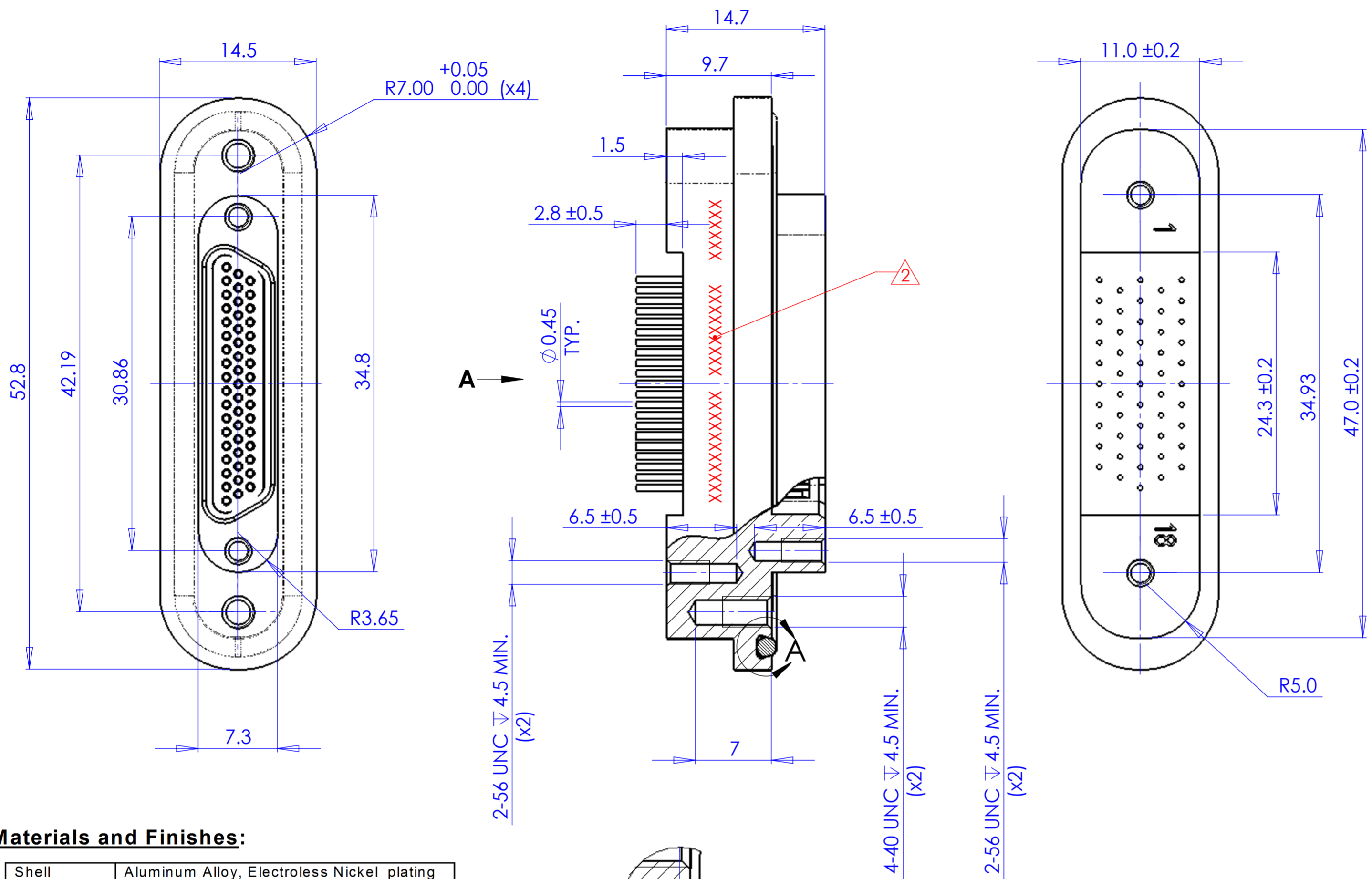


REV.	CHANGE ORDER No.	CHANGES	DATE	APPROVAL
A	--	O-RING MATERIAL CHANGED TO EPDM PCB LAYOUT DIMENSIONS CORRECTED	29.02.16	YURI Z.



**Materials and Finishes:**

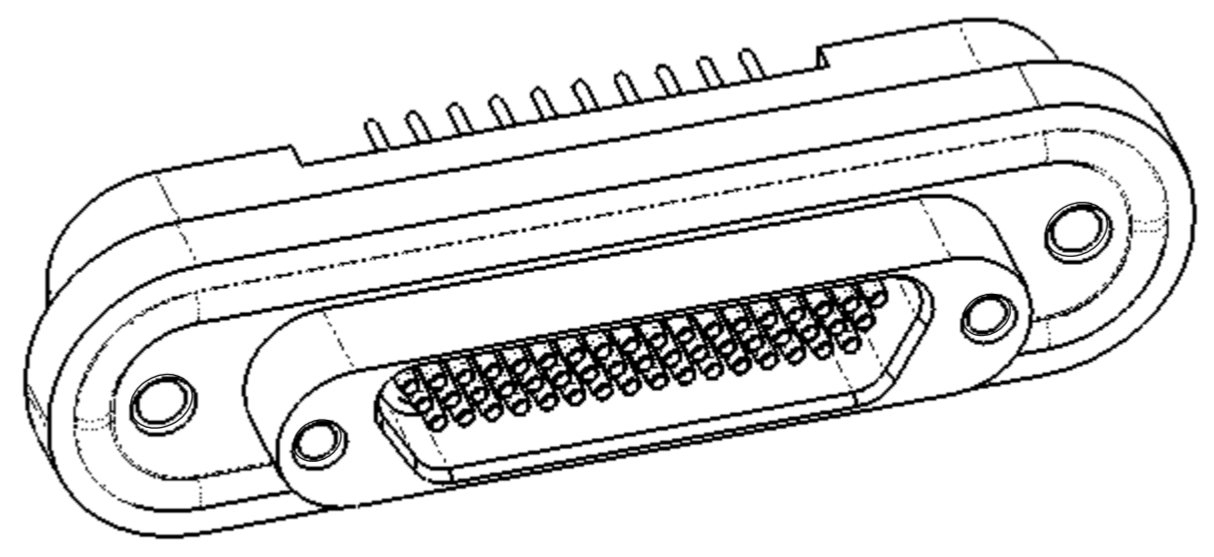
Shell	Aluminum Alloy, Electroless Nickel plating
Insulators	Peek per MIL-P-46183, Type I
O-Ring	EPDM
Contacts	Copper Alloy, Gold Plated Over Nickel
Potting	Epoxy Cast

**Environmental Characteristics:**

DESCRIPTION	VALUE	Paragraph in MIL-STD-1344
Vibration (Random)	Up to 20g RMS 10 to 2,000Hz	2005
Shock	50g X 6ms Sawtooth Pulse	2004
Temperature	-55°C to +125°C Operating and Storage	1003
Humidity	Up to 95% @ Storage Temp. Range	1002
Salt Spray		1001
Sealing	Up to 10 <sup>-5</sup> cm <sup>3</sup> /s Helium @ $\Delta P=1$ atm	
Contact Endurance	MIN. 2000 mating cycles	

\*The Environmental Characteristics are comply with MIL-DTL-83513

**DETAIL A  
SCALE 6 : 1**



- NOTES:**
1. BASED ON MIL-DTL-83513
  2. MARKING: MANUFACTURER P/N, DATE CODE
  3. RoHS COMPLY, LEAD FREE
  4. THIS PRODUCT REPLACES THE AU001237

**PCB LAYOUT VIEW A**

NAME	SIGNATURE	DATE		THIS DOCUMENT CONTAINS PROPRIETARY INFORMATION OF RF IMMUNITY LTD. AND MAY NOT BE REPRODUCED, COPIED, DISCLOSED OR UTILIZED IN ANY WAY IN WHOLE OR IN PART, WITHOUT THE PRIOR WRITTEN CONSENT OF RF IMMUNITY LTD.	PROJECT XX
YURI Z.		23.11.15	DRAFT		
NIR NISSIM		23.11.15	CHECK		
YURI Z.		23.11.15	DESIGN		
REGINA YOFFE		23.11.15	PA.		
NIR NISSIM		23.11.15	APPR.	DO NOT MEASURE ON DWG. BREAK SHARP CORNERS. ALL UNDIMENSIONED RADIUS ARE R=0.5	XX
NEXT ASSY. SURF. FINISH XXXX N7				SURFACE TREATMENTS: MATERIAL	
ANGLE PROJECTION		GEN. TOLER.		TITLE	
X		X. $\pm 0.5$		MICRO-D (MDM) RECEPTACLE	
X.X $\pm 0.1$		X.XX $\pm 0.05$		51 SOCKET CONT.	
SCALE N.A.		ANGLES $\pm 30'$		HERMETICALLY SEALED CONNECTOR	
DIM. IN INCH		SHEET OF		DRAWING NO.	
		1 OF 1		A2	
				AU001342-28	
				REV. A	