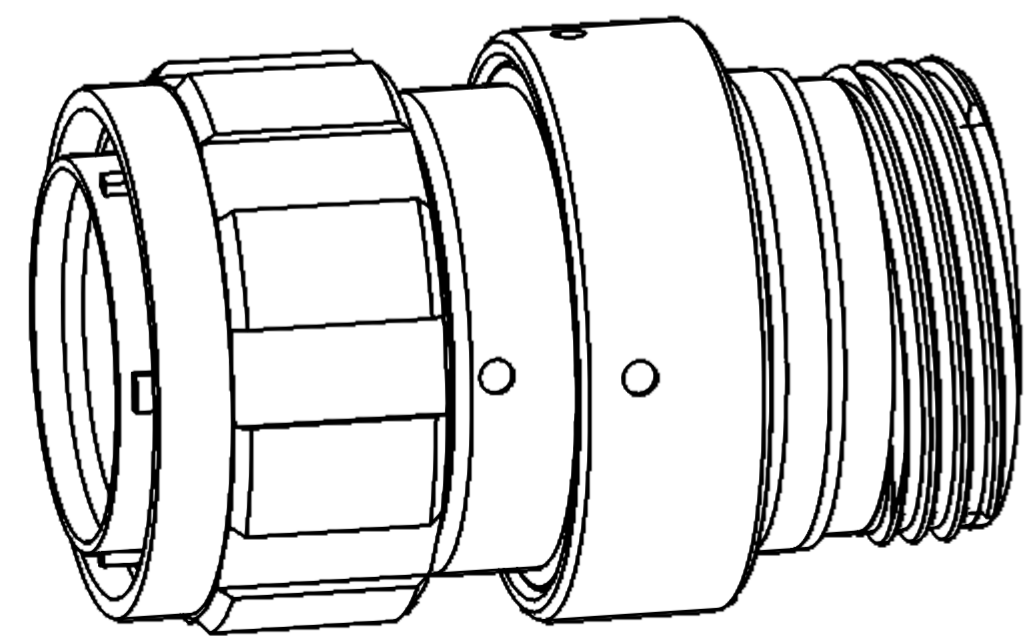
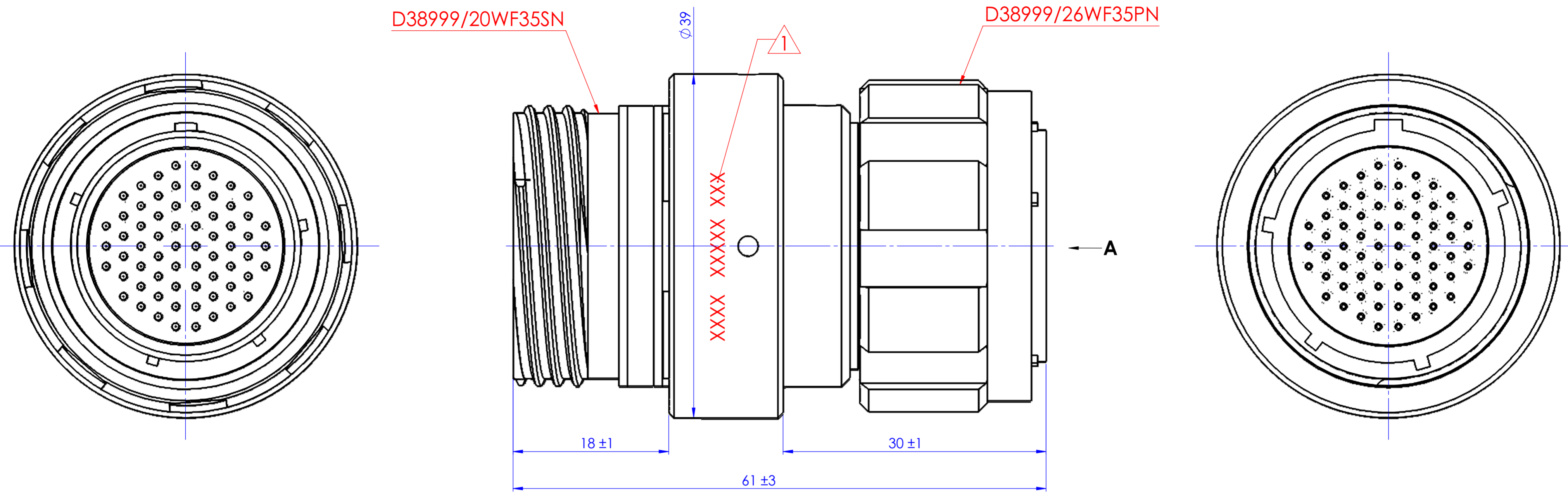
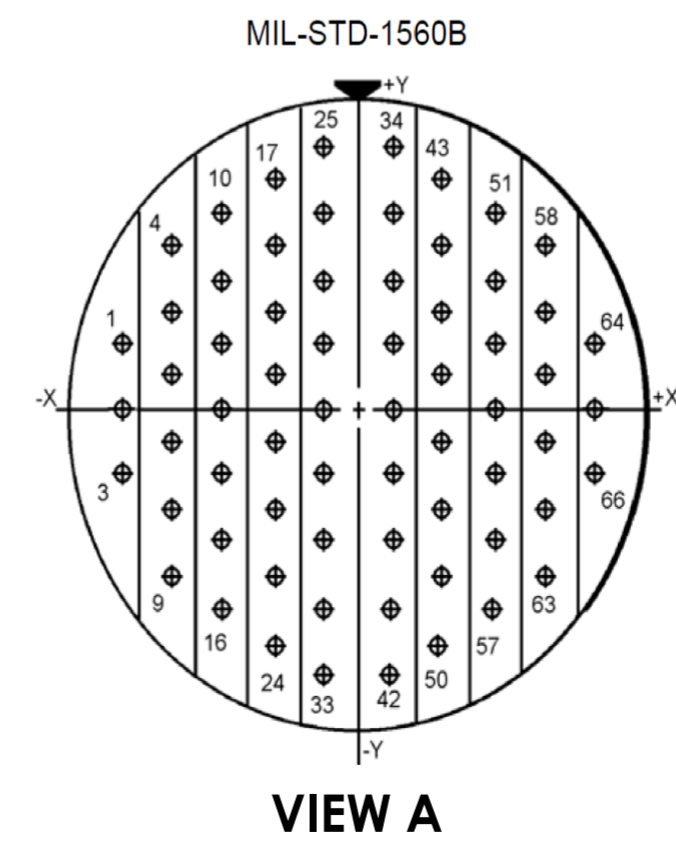


REV.	CHANGE ORDER No.	CHANGES	DATE	APPROVAL



DRAFT



NOTES:
 ▲ MARKING: MANUFACTURER P/N , DATE CODE

NAME	SIGNATURE	DATE		THIS DOCUMENT CONTAINS PROPRIETARY INFORMATION OF RF IMMUNITY LTD. AND MAY NOT BE REPRODUCED, COPIED, DISCLOSED OR UTILIZED IN ANY WAY IN WHOLE OR IN PART, WITHOUT THE PRIOR WRITTEN CONSENT OF RF IMMUNITY LTD.	PROJECT XX
	YURI Z.	19.04.15	DRAFT		
	NIR NISSIM	19.04.15	CHECK		
	YURI Z.	19.04.15	DESIGN		
	REGINA YOFFE	19.04.15	PA.	DO NOT MEASURE ON DWG. BREAK SHARP CORNERS. ALL UNDIMENSIONED RADIUS ARE R=0.5	XX
	NIR NISSIM	19.04.15	APPR.		
NEXT ASSY.	SURF. FINISH				
XXXX	N7				
SURFACE TREATMENTS:			MATERIAL		
ANGLE PROJECTION	TOLER.	TITLE			
	X. ±0.5	CD FOR D38999 SERIES III			
	X.X ±0.2	66 CONTACTS (19-35)			
	X.XX ±0.05	RECEPTACLE TO PLUG FILTER ADAPTOR			
SCALE	N.A.	ANGLES ±30'	SIZE	DRAWING NO.	REV.
DIM. IN	MM	SHEET OF	1 OF 2	A2	C3A19W35S0N000373 0



Filter Electrical Characteristics

Contact	Contact Current [A]	Filter Type	W.V. [V _{DC}]	D.W.V. [V _{DC}]	Cap. ±20%	Attenuation ¹ [dB] vs. Frequency [MHz]			
						1	10	100	1000
47, 52, 54, 65	5	No Filter	100	250	-	-	-	-	-
1-8, 10-23, 25-42, 44-46, 48-51, 55-64, 66	5	PI	100	250	44nF	13	48	62	51
9, 24, 43, 53	5	PI	100	250	940pF	0	2	32	50

¹ – Typical Attenuation per MIL-STD-220 (50Ω System; No Load)

Environmental Characteristics:

Description	Value	Paragraph per Standard			
		ISO		MIL-STD	
		2100	7137	1344	202
Sealing	IP 65				
Vibration (Random)	Up to 40g RMS 20 to 2,000Hz	12		2005.1	201, 204, 214
Vibration (Sine)	Up to 15g PTP 10 to 2,000Hz	12		2005.1	201, 204, 214
Shock	100g X 6ms Half Sine		7	2004.1	213
Climatic					103, 106
Temperature	-55°C to +125°C Operating and Storage				
Humidity	Up to 95% @ Storage Temp. Range	18b		1002.2	
Altitude	Up to 70,000ft	18a	4		
Salt Spray	500 hours	22		1001.1	101
Sand and Dust		23	12		110
Contact Endurance	More than 500 mating cycles	16			

Materials and Finishes:

Shell	Aluminum Alloy, Olive Drab Cadmiun over Electroless Nickel plating
Contacts	Copper Alloy, 1.27 microne Gold plated Over Nickel
Potting	Epoxy Cast

REV.	CHANGE ORDER No.	CHANGES	DATE	APPROVAL
X	XXXX	XXXXX	XXXXXXX	XXXXX

DRAFT

NAME SIGNATURE	DATE		THIS DOCUMENT CONTAINS PROPRIETARY INFORMATION OF RF IMMUNITY LTD. AND MAY NOT BE REPRODUCED, COPIED, DISCLOSED OR UTILIZED IN ANY WAY IN WHOLE OR IN PART, WITHOUT THE PRIOR WRITTEN CONSENT OF RF IMMUNITY LTD.	
YURI Z.	19.04.15	DRAFT		
NIR NISSIM	19.04.15	CHECK		
YURI Z.	19.04.15	DESIGN		
REGINA YOFFE	19.04.15	PA.		
NIR NISSIM	19.04.15	APPR.		
NEXT ASSY.	SURF. FINISH		DO NOT MEASURE ON DWG. BREAK SHARP CORNERS. ALL UNDIMENSIONED RADIUS ARE R=0.5	PROJECT XX
XXXXX	N7			
SURFACE TREATMENTS:			MATERIAL	
ANGLE PROJECTION	TOLER.		TITLE CD FOR D38999 SERIES III 66 CONTACTS (19-35) RECEPTACLE TO PLUG FILTER ADAPTOR	
	X. ±0.5			
	X.X ±0.2			
	X.XX ±0.05			
SCALE N.A.	ANGLES ±30'		SIZE	DRAWING NO.
DIM. IN MM	SHEET OF	2 2	A2	C3A19W35S0N000373
				REV. 0