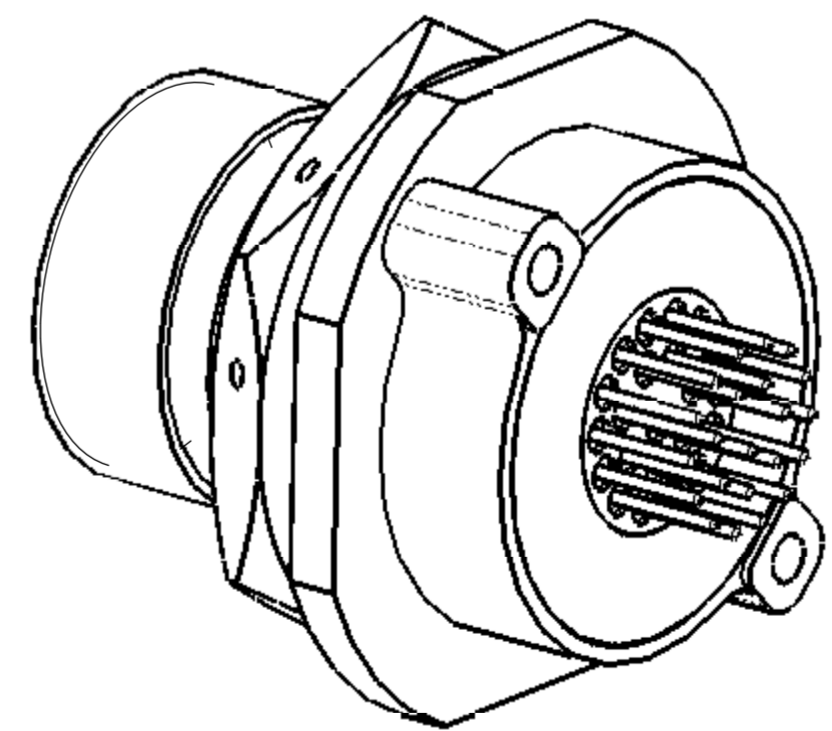
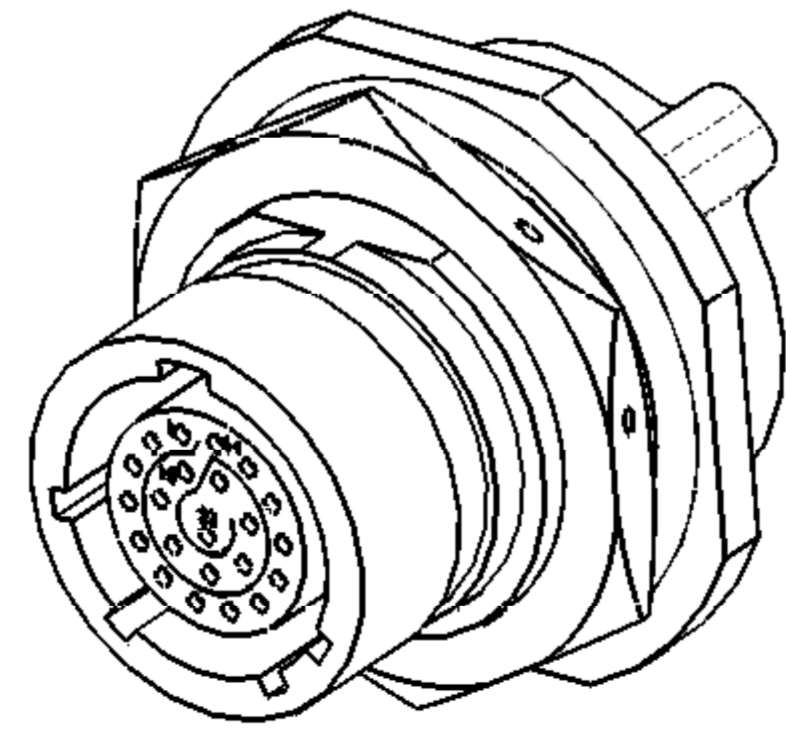
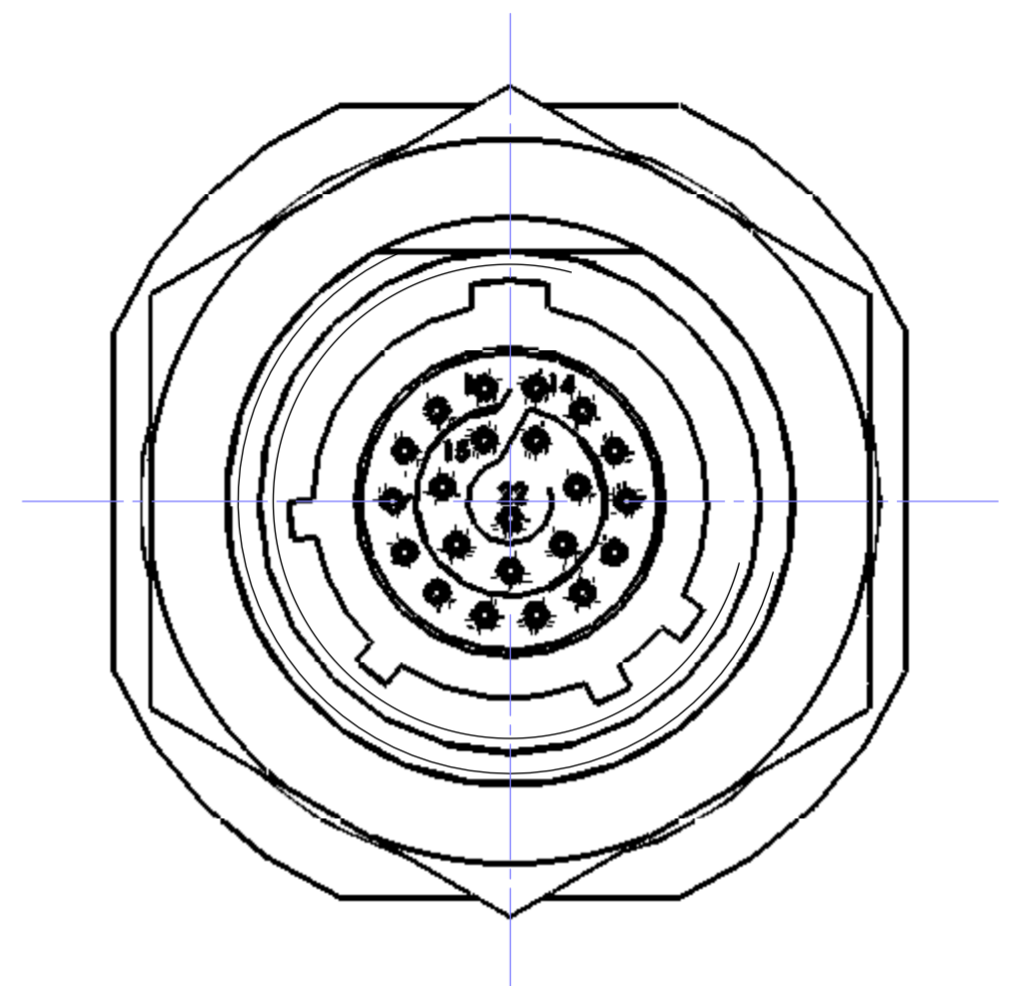
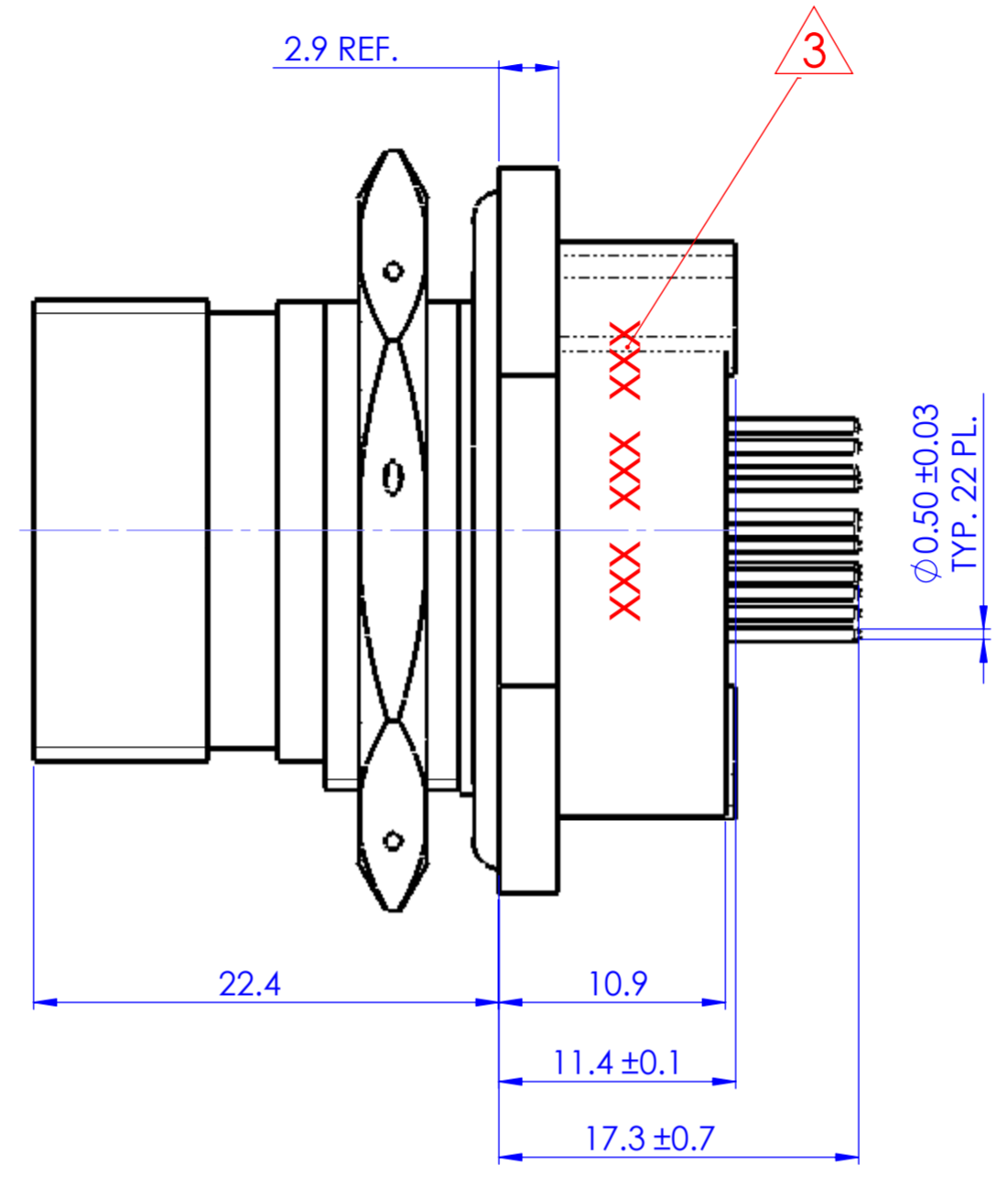
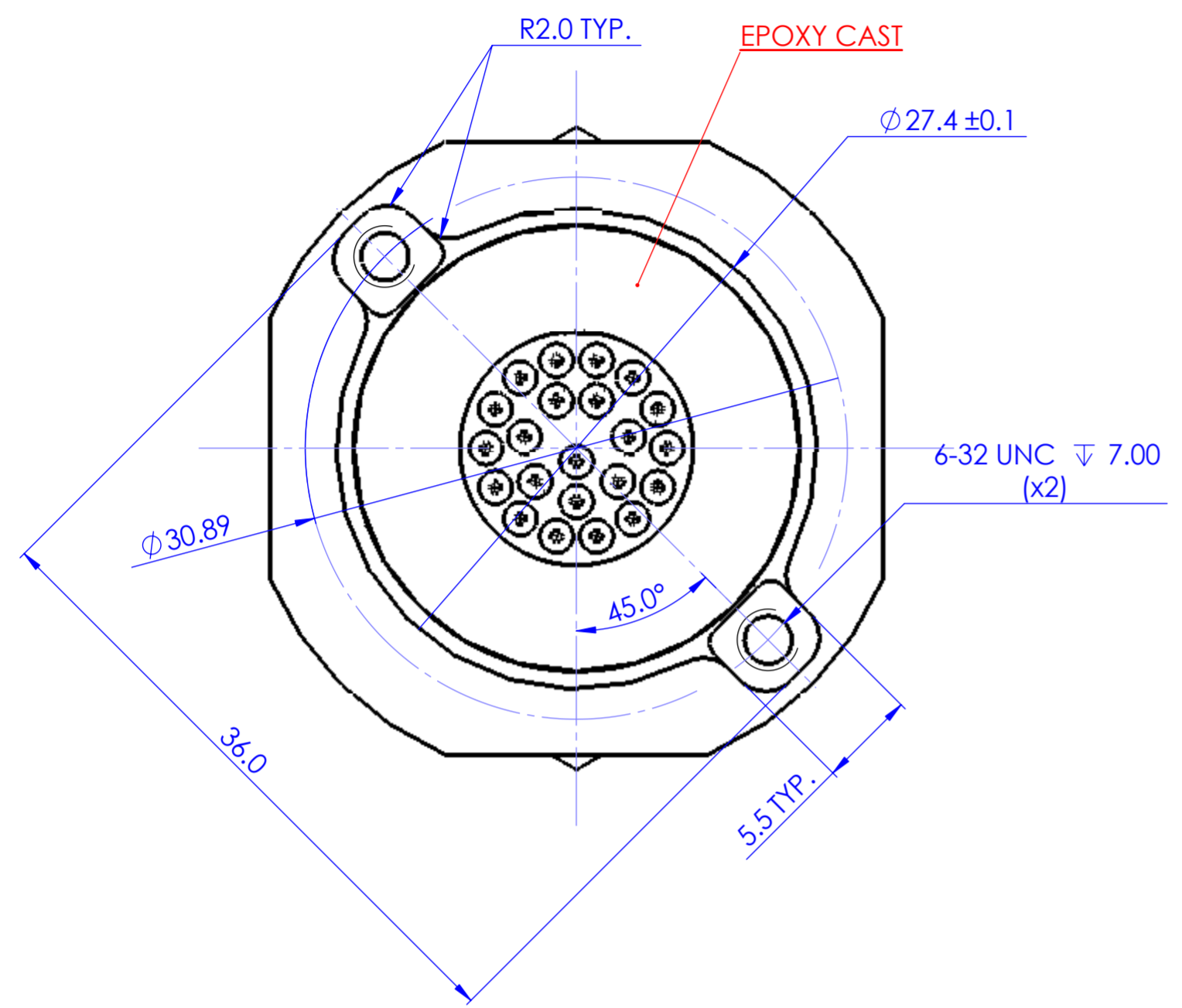


REV.	CHANGE ORDER No.	CHANGES	DATE	APPROVAL



NOTES:  
 1. THE PRODUCT BASED ON ELOP DOC. No. 3633-1214-01 rev --  
 2. THE CONNECTOR BASED ON D38999/24\_C35SN  
 3. MARKING: MFR. P/N, CUSTOMER P/N + revision, DATE CODE.

NAME	SIGNATURE	DATE		THIS DOCUMENT CONTAINS PROPRIETARY INFORMATION OF RF IMMUNITY LTD. AND MAY NOT BE REPRODUCED, COPIED, DISCLOSED OR UTILIZED IN ANY WAY IN WHOLE OR IN PART, WITHOUT THE PRIOR WRITTEN CONSENT OF RF IMMUNITY LTD.	PROJECT <b>XX</b>
YURI Z.		19.09.11	DRAFT		
NIR NISSIM		19.09.11	CHECK		
YURI Z.		19.09.11	DESIGN		
REGINA YOFFE		19.09.11	PA.	DO NOT MEASURE ON DWG. BREAK SHARP CORNERS. ALL UNDIMENSIONED RADIUS ARE R=0.5	XX
NIR NISSIM		19.09.11	APPR.		
NEXT ASSY.	SURF. FINISH				
XXXX	N7				
SURFACE TREATMENTS:				MATERIAL	
ANGLE PROJECTION	TOLER.	TITLE			
	X. ±0.5	CD FOR D38999/III, JAM NUT FILTERED AND HERMETICALLY SEALED, 22 SOCKET CONT. CONNECTOR			
	X.X ±0.2				
	X.XX ±0.05				
SCALE	N.A.	ANGLES ±30'	SIZE	DRAWING NO.	REV.
DIM. IN	MM	SHEET OF	1 2	A2	C3J13Z35U4N000210 NEW

### Filter Electrical Characteristics:

Contact Current Rating = 5A  
 Min. Insulation Resistance = 5GΩ

### No-Load Insertion Loss Measurements in a 50Ω System per MIL-STD-220A

Contact	Filter Type	Filter Cap.	W.V. [V <sub>ac</sub> ]	W.V. [V <sub>dc</sub> ]	D.W.V. [V <sub>dc</sub> ]	Min. Attenuation [dB] vs. Frequency [MHz]			
						1	10	100	1000
1-3, 12-14	PI	9.4nF	115 400Hz	1000	1250	2	15	52	40
4-6, 8, 10, 16-19, 22	PI	9.4nF	-	200	500	2	15	52	40
7, 9, 11, 15, 20, 21	No Filter	-	-	-	-	-	-	-	-

REV.	CHANGE ORDER No.	CHANGES	DATE	APPROVAL
X	XXXX	XXXXX	XXXXXXX	XXXXX

### Environmental Characteristics:

Description	Value	Paragraph per Standard			
		ISO		MIL-STD	
		2100	7137	1344	202
Sealing	Up to 10 <sup>-5</sup> cm <sup>3</sup> /s @ ΔP=1atm				
Vibration (Random)	Up to 40g RMS 20 to 2,000Hz	12		2005.1	201, 204, 214
Vibration (Sine)	Up to 15g PTP 10 to 2,000Hz	12		2005.1	201, 204, 214
Shock	100g X 6ms Half Sine		7	2004.1	213
Climatic					103, 106
Temperature	-55°C to +125°C Operating and Storage				
Humidity	Up to 95% @ Storage Temp. Range	18b		1002.2	
Altitude	Up to 70,000ft	18a	4		
Salt Spray	48 hours	22		1001.1	101
Sand and Dust		23	12		110
Contact Endurance	More than 500 mating cycles	16			

### Materials and Finishes:

Shell	Aluminum Alloy, Black Zinc-Cobalt plating
Contacts	Copper Alloy, Gold Plated Over Nickel
Potting	Epoxy Cast

NAME	SIGNATURE	DATE		THIS DOCUMENT CONTAINS PROPRIETARY INFORMATION OF RF IMMUNITY LTD. AND MAY NOT BE REPRODUCED, COPIED, DISCLOSED OR UTILIZED IN ANY WAY IN WHOLE OR IN PART, WITHOUT THE PRIOR WRITTEN CONSENT OF RF IMMUNITY LTD.	PROJECT  XX
YURI Z.		19.09.11	DRAFT		
NIR NISSIM		19.09.11	CHECK		
YURI Z.		19.09.11	DESIGN		
REGINA YOFFE		19.09.11	PA.		
NIR NISSIM		19.09.11	APPR.		
NEXT ASSY. SURF. FINISH XXXX N7				DO NOT MEASURE ON DWG. BREAK SHARP CORNERS. ALL UNDIMENSIONED RADIUS ARE R=0.5	
SURFACE TREATMENTS:				MATERIAL	

ANGLE PROJECTION		TOLER.	X. ±0.5 X.X ±0.2 X.XX ±0.05	TITLE CD FOR D38999/III, JAM NUT FILTERED AND HERMETICALLY SEALED, 22 SOCKET CONT. CONNECTOR	
SCALE	N.A.	ANGLES	±30'	SIZE	DRAWING NO.
DIM. IN	MM	SHEET OF	2 2	A2	C3J13Z35U4N000210
					REV. NEW