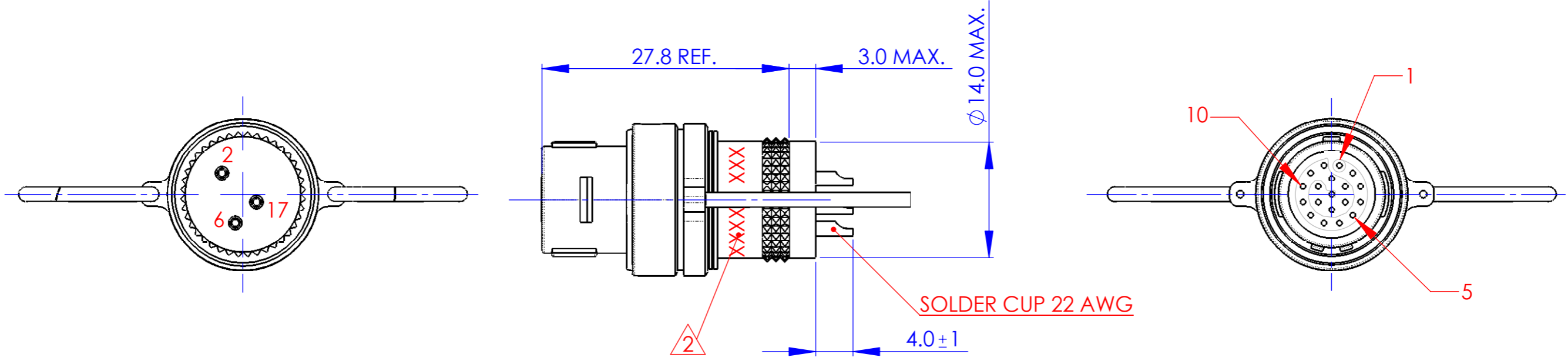
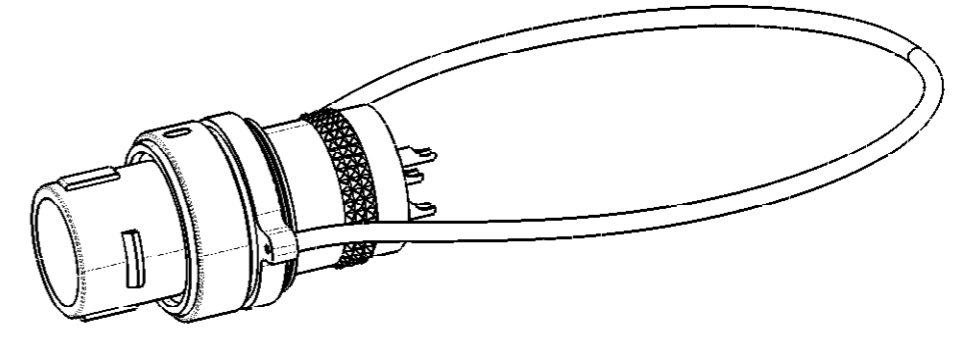


REV.	CHANGE ORDER No.	CHANGES	DATE	APPROVAL



- NOTES:**
- 1. CONNECTOR BASED ON LEMO CONNECTOR P/N: FNN.2F.319.XLC
 - 2. MARKING: MANUFACTURER P/N, DATE CODE

DRAFT



Materials and Finishes:

Shell	Per Lemo Specification
Contacts	Copper Alloy, Gold Plated Over Nickel
Potting	Epoxy Cast

Filter Electrical Characteristics:

Contact Current Rating = 3A
 Min. Insulation Resistance = 1GΩ

Minimum Attenuation (Measured per MIL-STD-220A; 50Ω System; No Load):

Contact	Filter Type	WV [V _{dc}]	DWV [V _{dc}]	Cap. ±20% [nF]	f _{co} [kHz]	Attenuation [dB] vs. Frequency [MHz]			
						1	10	100	1000
2, 6, 17	Pi	50	125	9.4	677	2	18	45	49
All others (Not Connected)	No Filter	-	-	-	-	-	-	-	-

NAME	POSITION	DATE	THIS DOCUMENT CONTAINS PROPRIETARY INFORMATION OF RF IMMUNITY LTD. AND MAY NOT BE REPRODUCED, COPIED, DISCLOSED OR UTILIZED IN ANY WAY IN WHOLE OR IN PART, WITHOUT THE PRIOR WRITTEN CONSENT OF RF IMMUNITY LTD.	PROJECT
YURI ZARHIN	MECHANIC. DESIGN	07.12.10		
YURI ZARHIN	DRAWING	07.12.10		
EYAL RONEN	ELECTR. DESIGN	07.12.10		
REGINA YOFFE	PA.	07.12.10		
NIR NISSIM	APPROVAL	07.12.10	DO NOT MEASURE ON DWG. BREAK SHARP CORNERS. ALL UNDIMENSIONED RADIUS ARE R=0.2	...
NEXT ASSY.	SURF. FINISH	MATERIAL		
---	N7	---		
SURFACE TREATMENTS:			---	
---			---	
ANGLE PROJECTION	TOLER.	TITLE: CD FOR LEMO STRAIGHT PLUG 19 PIN CONTACTS FILTER CONNECTOR		
	X. ±0.5 X.X ±0.2 X.XX ±0.05	SIZE		
SCALE N.A.	ANGLES ±30'	DRAWING NO.		
DIM. IN MM	Sheet 1 OF 1	A3	AU001189	
				REV. 2