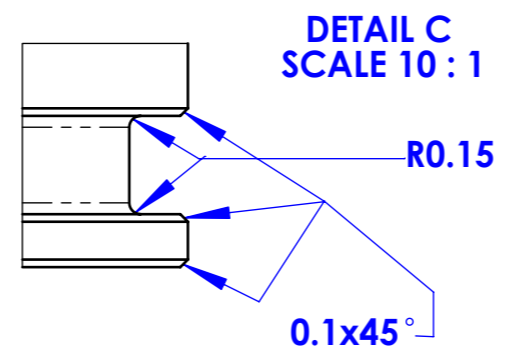
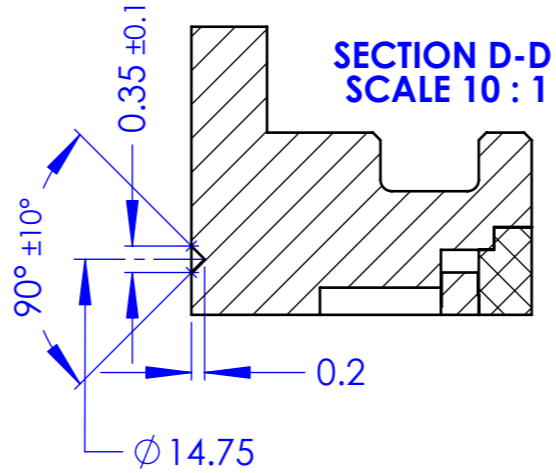
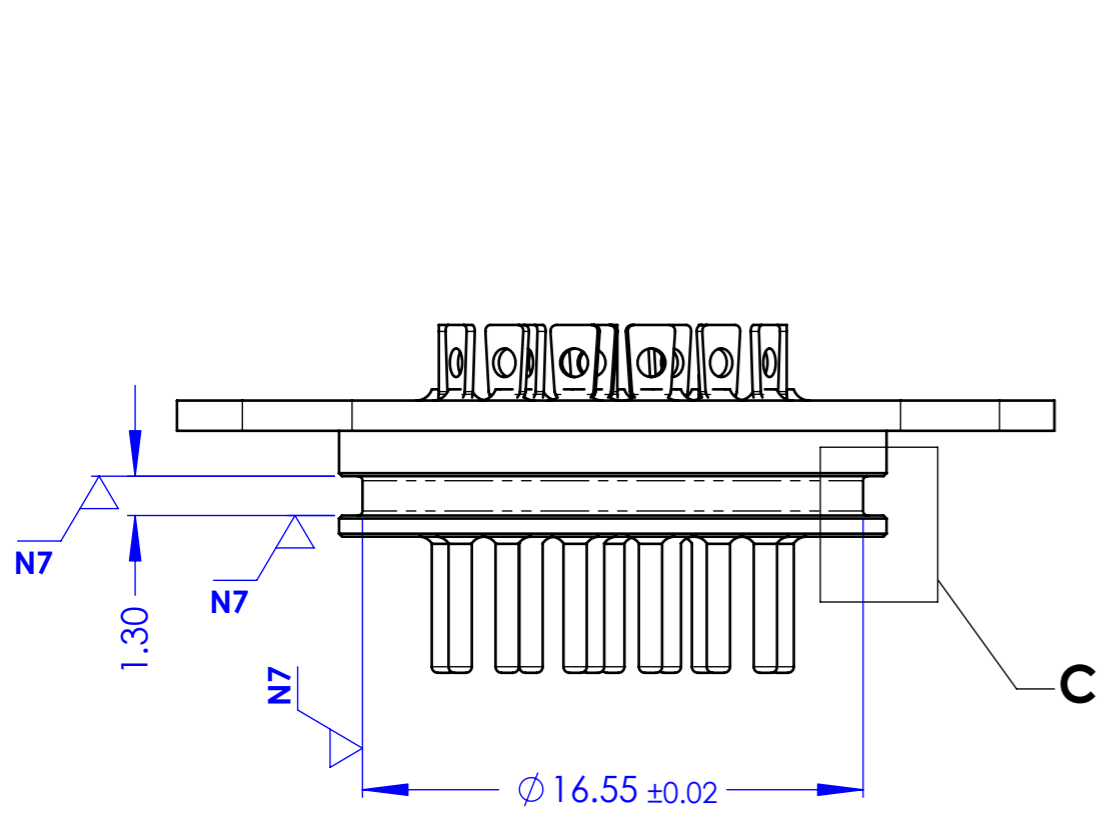
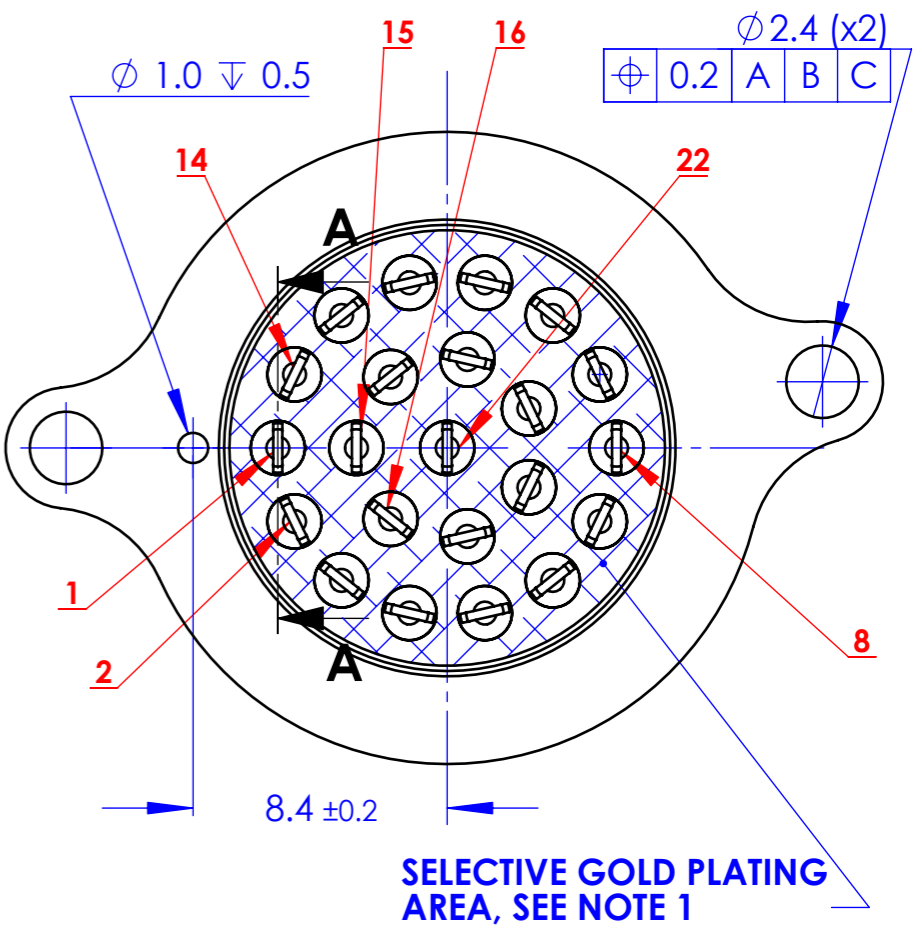
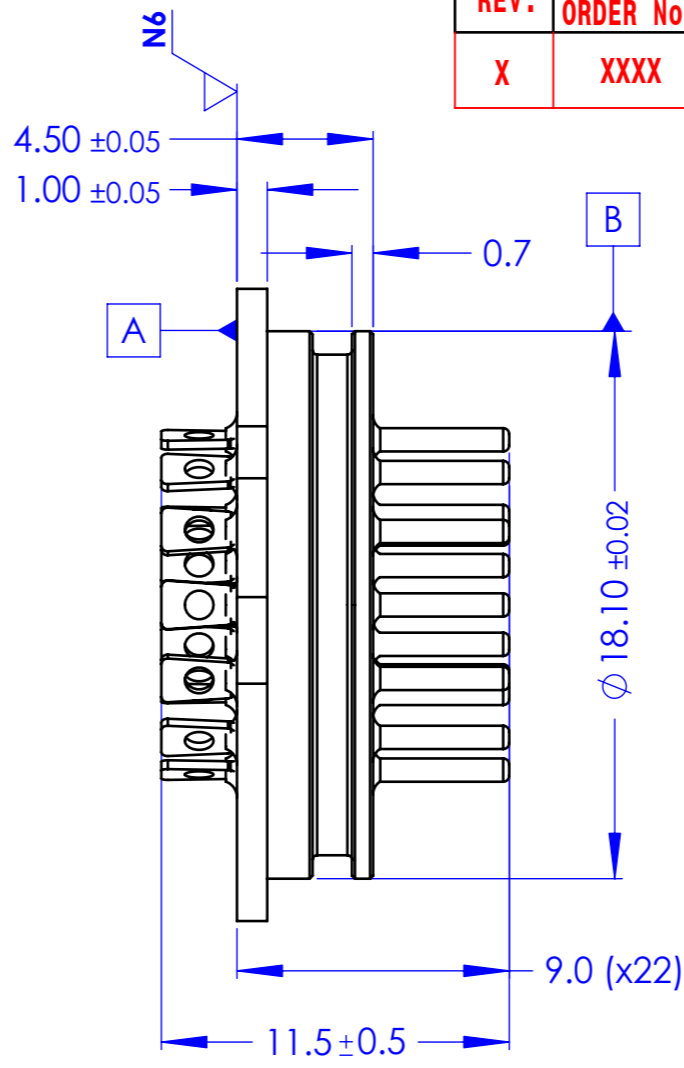
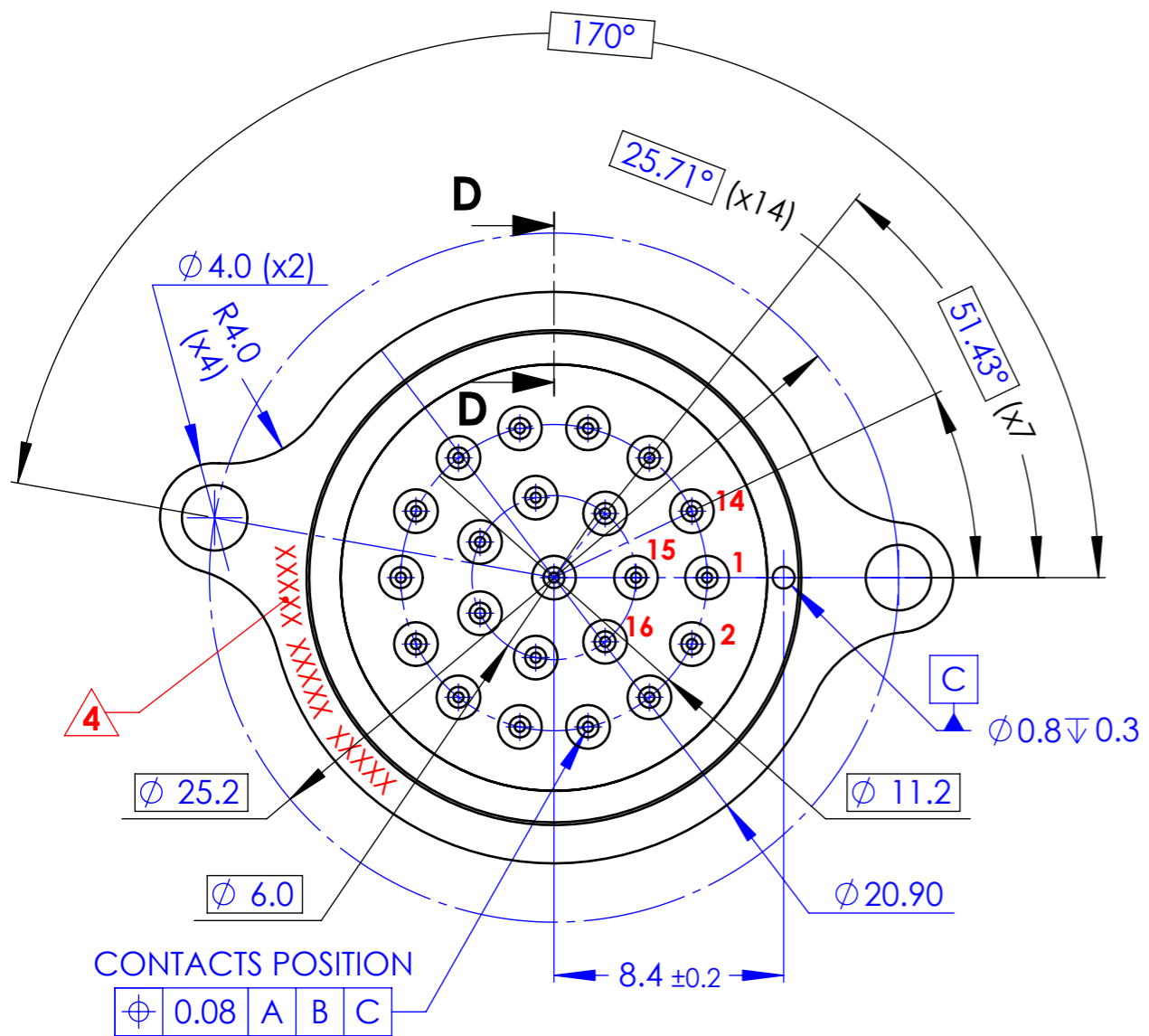


REV.	CHANGE ORDER No.	CHANGES	DATE	APPROVAL
X	XXXX	XXXXX	XXXXX	XXXXX

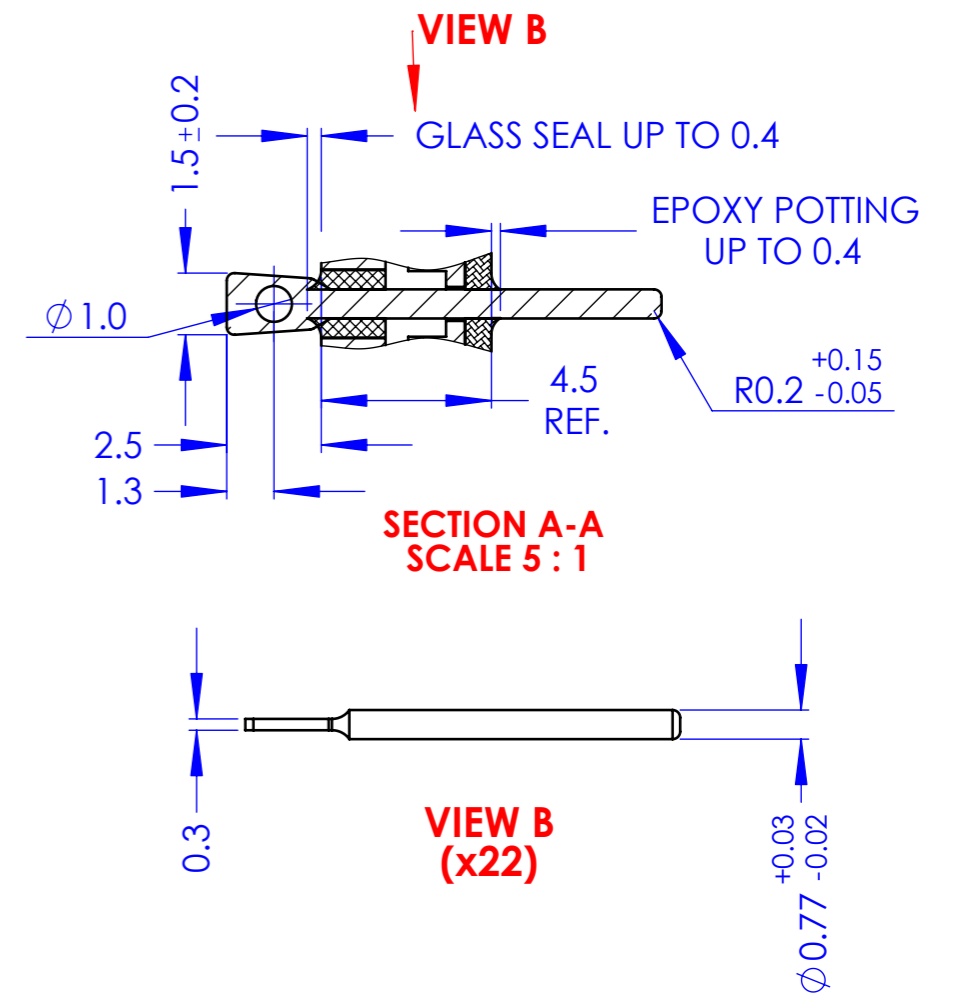
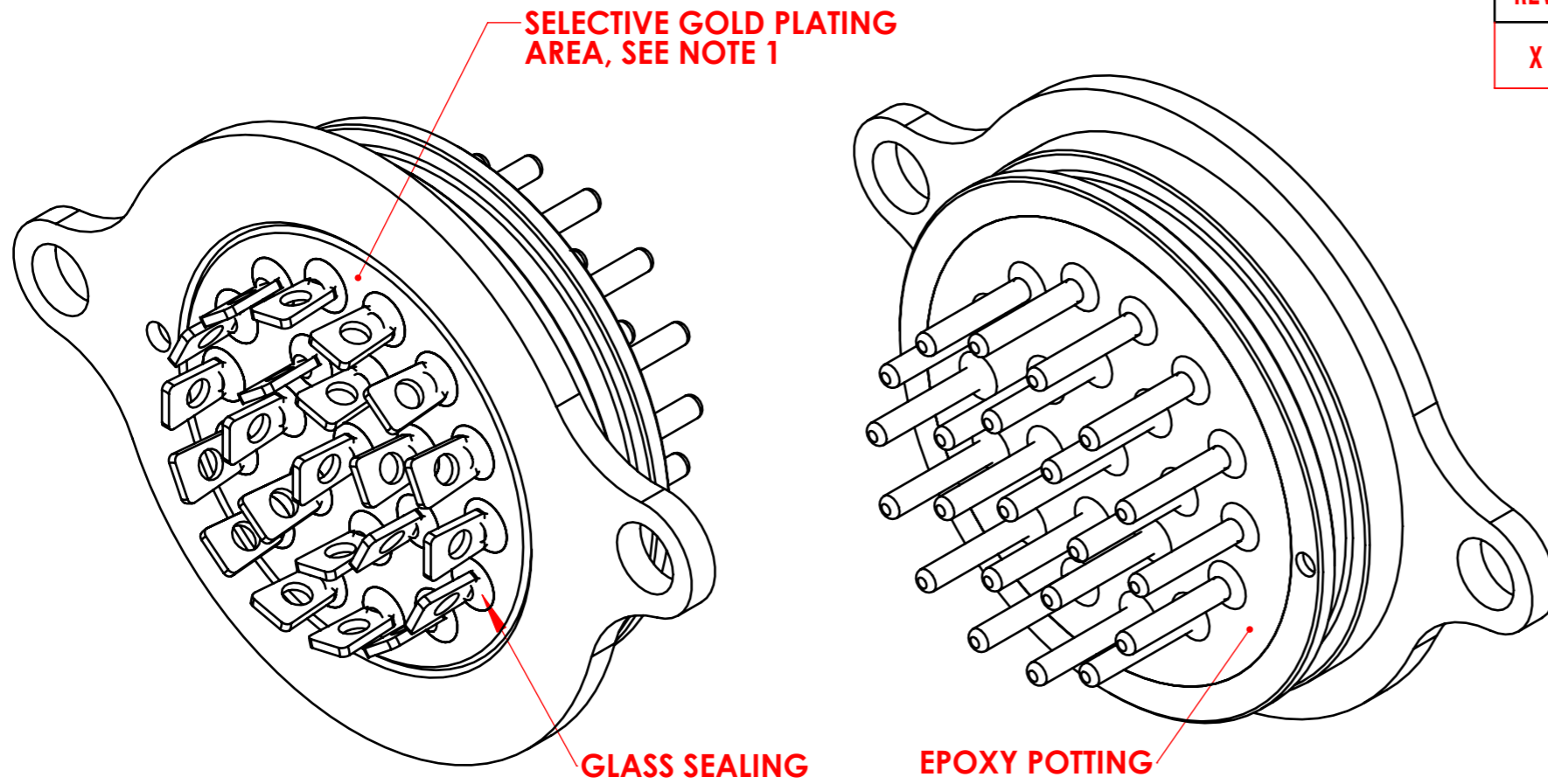


DRAFT

NAME	SIGNATURE	DATE		THIS DOCUMENT CONTAINS PROPRIETARY INFORMATION OF RF IMMUNITY LTD. AND MAY NOT BE REPRODUCED, COPIED, DISCLOSED OR UTILIZED IN ANY WAY IN WHOLE OR IN PART, WITHOUT THE PRIOR WRITTEN CONSENT OF RF IMMUNITY LTD.	PROJECT		
NIR NISSIM		07/10/2011	DRAFT			DO NOT MEASURE ON DWG. BREAK SHARP CORNERS. ALL UNDIMENSIONED RADIUS ARE R=0.5	
EYAL RONEN		07/10/2011	CHECK				
NIR NISSIM		07/10/2011	DESIGN			MATERIAL	
REGINA YOFFE		07/10/2011	PA.				
YURI ZARHIN		07/10/2011	APPR.				
NEXT ASSY.		SURF. FINISH					
		N8					
SURFACE TREATMENTS:							

ANGLE PROJECTION	TOLER.	TITLE	
	X. ±0.5	22 PIN CONT. HERMETICALLY SEALED AND FILTERED CONNECTOR	
	X.X ±0.1		
	X.XX ±0.05		
SCALE: NONE	ANGLES ±30'	SIZE	
DIM. IN MM	SHEET OF 1/2	DRAWING NO.	REV.
		A3	AU001211 6

REV.	CHANGE ORDER No.	CHANGES	DATE	APPROVAL
X	XXXX	XXXXX	XXXXX	XXXXX



NOTES:

- CONNECTOR BODY: S.S. 303 PER ASTM A-582.
FINISH: PASSIVATION PER QQ-P-35 TYPE 2 OR ELECTROLESS NICKEL PER SAE-AMS-C-26074 CLASS I.
OPTIONAL PLATING : SELECTIVE GOLD ON AREA SHOWN.
- CONTACTS: IRON NICKEL ALLOY 52.
FINISH: MATING SIDE : 2 µm GOLD PER MIL-G-45204 OVER 5µm NICKEL.
TERMINATION SIDE: TIN OR FLASH GOLD OVER 5µm NICKEL.
- UNLESS OTHERWISE SPECIFIED ALL OTHER REQ. PER CUSTOMER DRAWING No. 30-136118 REV. A.
- MARKING TBR : MANUFACTURER P/N, DATE CODE .

DRAFT

Filter Electrical Characteristics:

Contact Current Rating = 5A
Min. Insulation Resistance = 1GΩ

Minimum Attenuation (Measured per MIL-STD-220A; 50Ω System; No Load):

Contact	Filter Type	W.V. [V _{oc}]	D.W.V. [V _{oc}]	Cap. ±20% [nF]	f _{co} [kHz]	Attenuation [dB] vs. Frequency [MHz]			
						1	10	100	1000
1-14	C	100	250	10	695	2	18	33	28
15-22	No Filter	-	-	-	-	-	-	-	-

NAME SIGNATURE	DATE		THIS DOCUMENT CONTAINS PROPRIETARY INFORMATION OF RF IMMUNITY LTD. AND MAY NOT BE REPRODUCED, COPIED, DISCLOSED OR UTILIZED IN ANY WAY IN WHOLE OR IN PART, WITHOUT THE PRIOR WRITTEN CONSENT OF RF IMMUNITY LTD.
NIR NISSIM	07/10/2011	DRAFT	
EYAL RONEN	07/10/2011	CHECK	
NIR NISSIM	07/10/2011	DESIGN	
REGINA YOFFE	07/10/2011	PA.	
YURI ZARHIN	07/10/2011	APPR.	DO NOT MEASURE ON DWG. BREAK SHARP CORNERS. ALL UNDIMENSIONED RADIUS ARE R=0.5
NEXT ASSY.	SURF. FINISH N7		PROJECT
SURFACE TREATMENTS:			MATERIAL
ANGLE PROJECTION	TOLER.	TITLE	22 PIN CONT. HERMETICALLY SEALED AND FILTERED CONNECTOR
	X. ±0.5 X.X ±0.1 X.XX ±0.05		
SCALE: NONE	ANGLES ±30'	SIZE	DRAWING NO.
DIM. IN MM	SHEET OF 2/2	A3	AU001211
			REV. 6