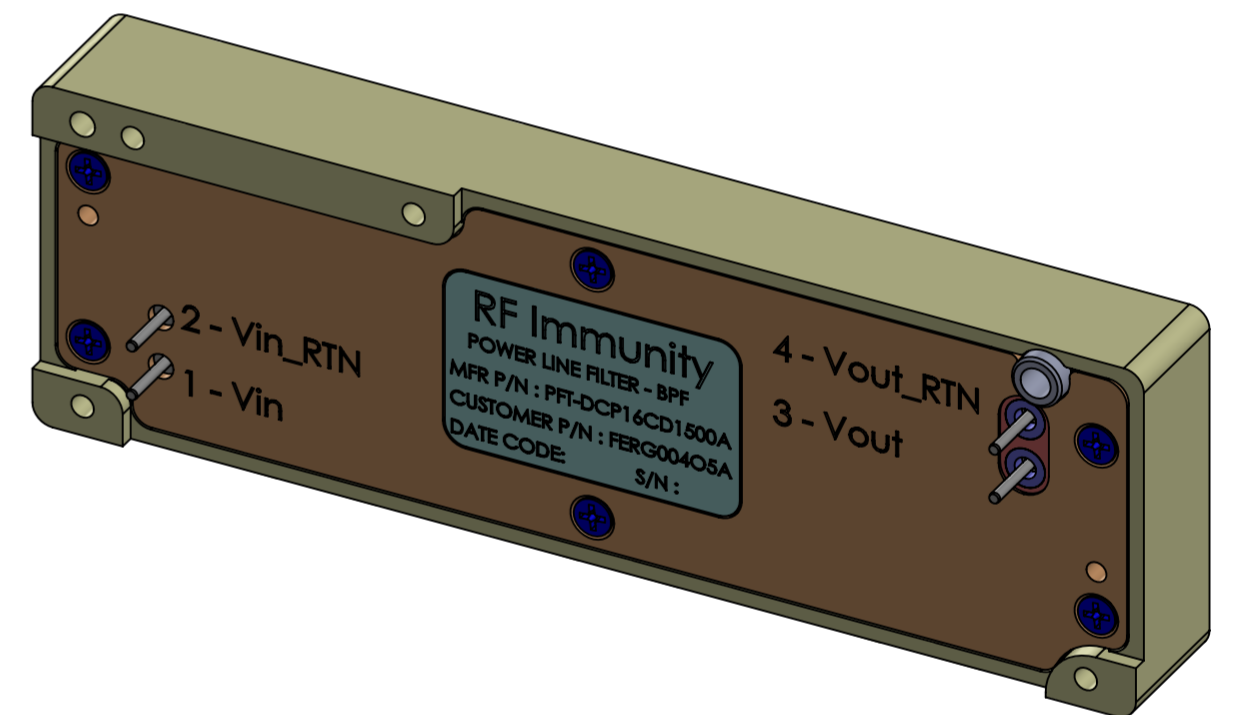
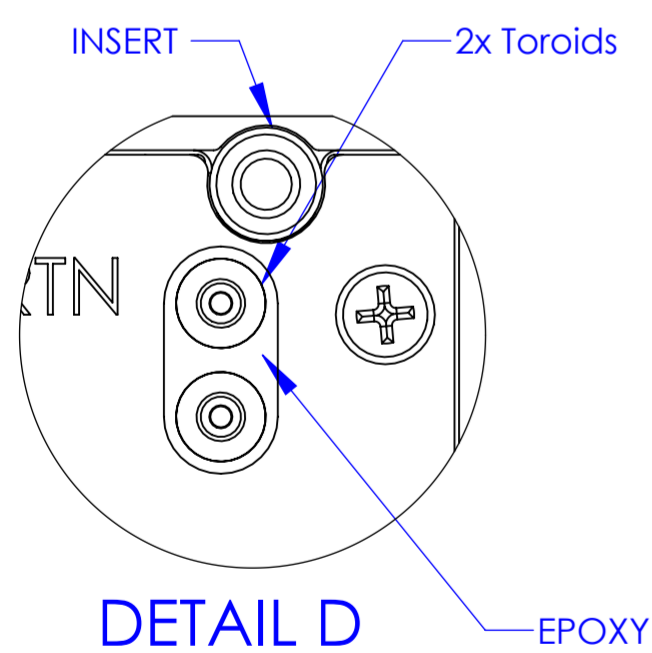
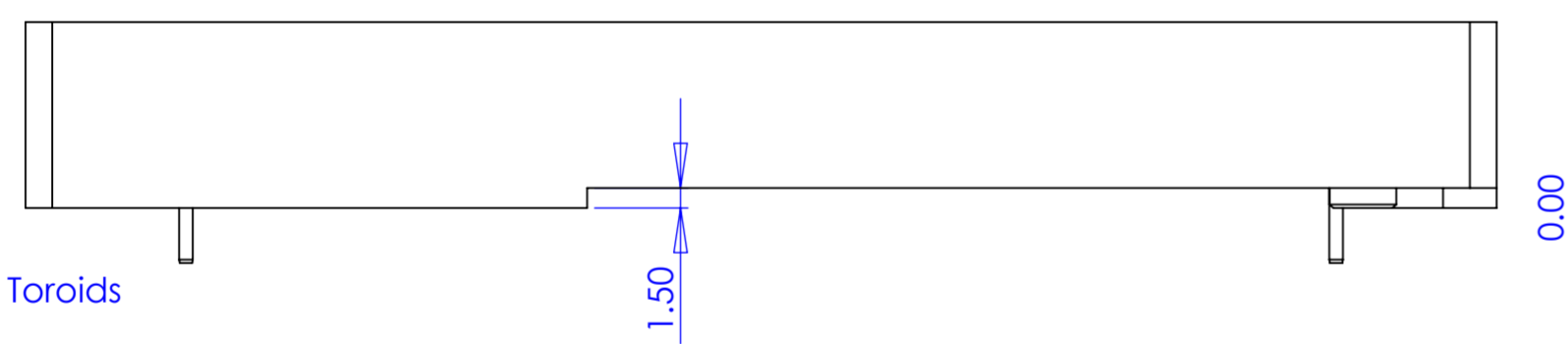
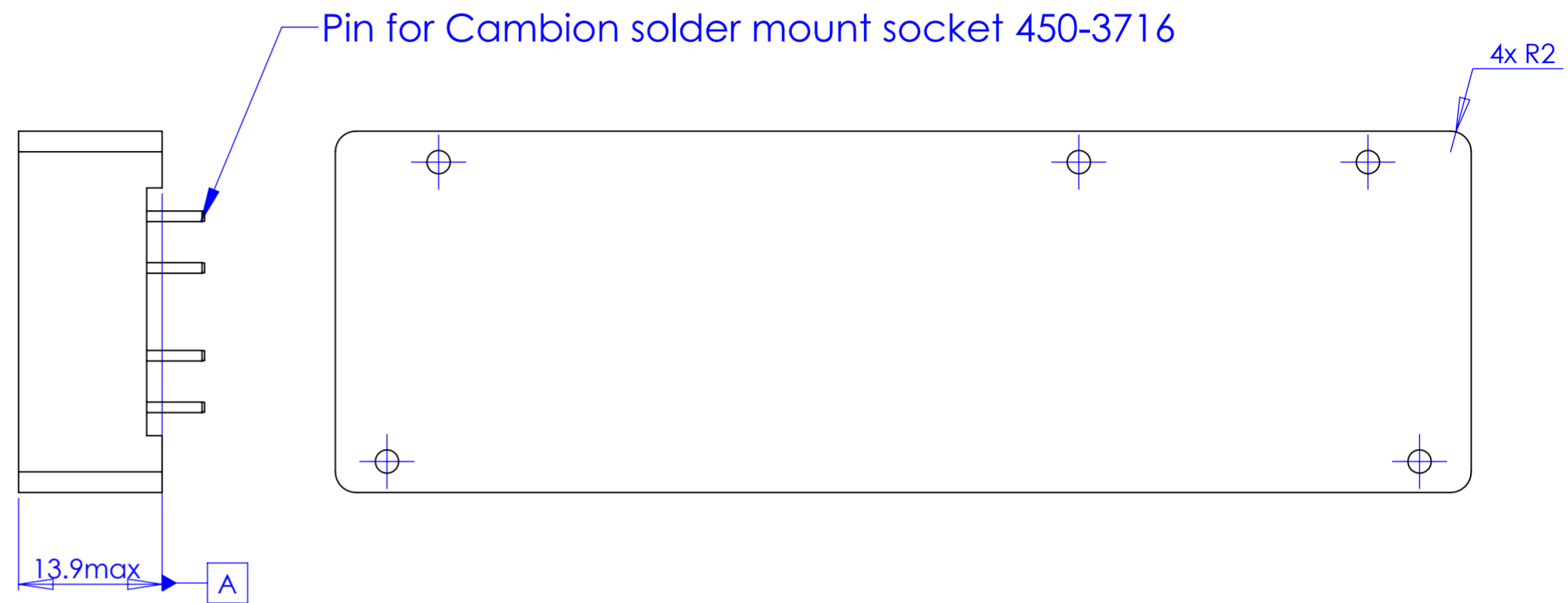
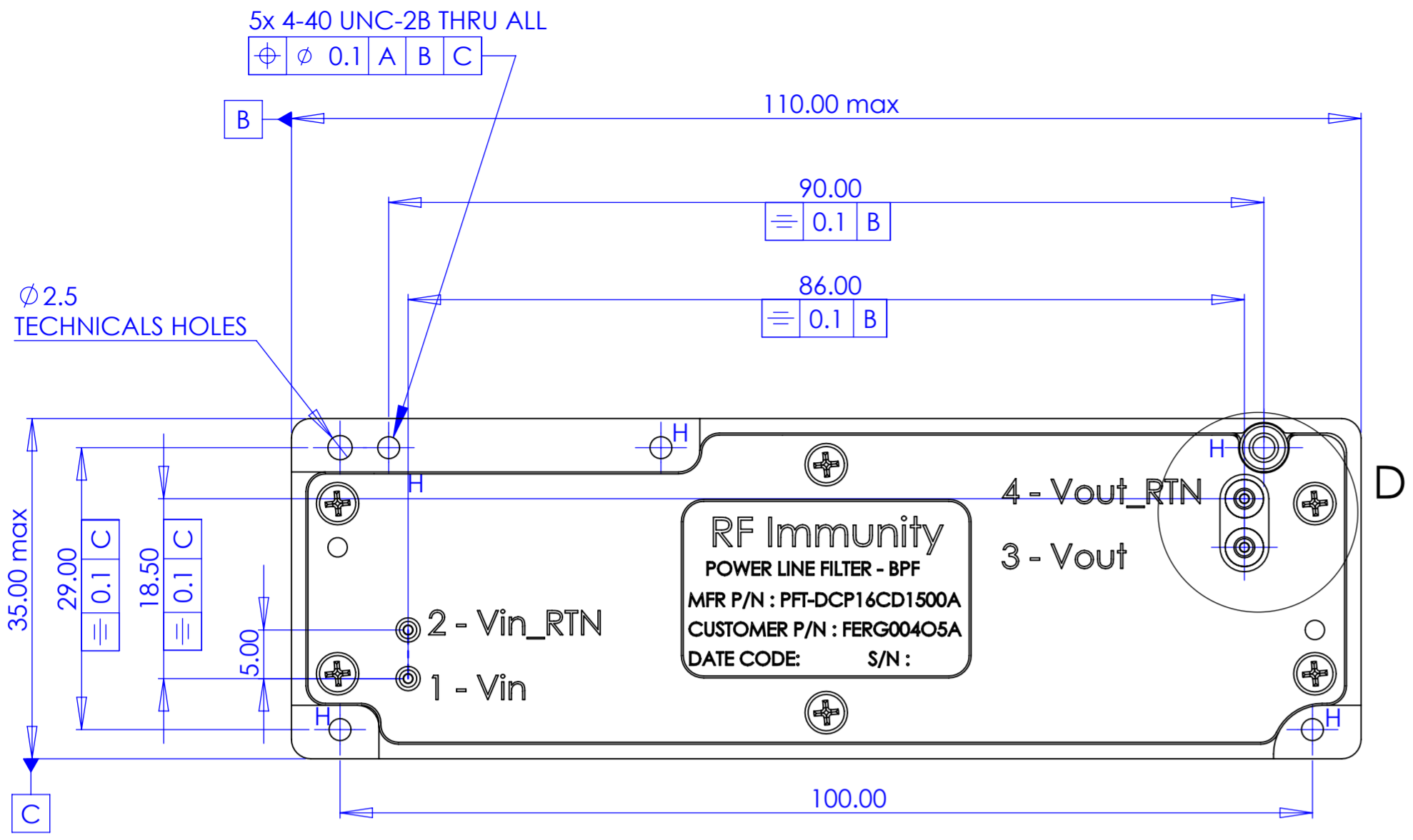


REV.	CHANGE ORDER No.	CHANGES	DATE	APPROVAL



- MATERIALS AND FINISHES:**
- BOX MATERIAL: ALUMINIUM 6061-T6 OR EQUIV., YELLOW CHROMATE CONVERSION PER MIL-C-5541, CLASS 3 (YELLOW ALODINE)
 - TERMINATION CONTACTS: COPPER ALLOY, 0.25 microne MIN. GOLD PLATED
 - POTTING: EPOXY CAST

Electrical Performance:

Maximum Input Voltage 50 Vdc
 Maximum Current Rating 6 Adc
 Maximum Dropout Voltage 700 mVdc@6A
 Insulation Resistance: 200MΩ (L-G)@50Vdc
 Reverse polarity protection: 0V to (-50V) without fuse
 Attenuation – per table 1 (dB)
 *Measured per MIL-STD. 220A in 50Ω System, no load

Table 1 – Attenuation.

	10 kHz	100 kHz	1 MHz	10 MHz	100 MHz
L-L	4	68	80	60	45
L-GND	-	50	80	80	80

Environmental Characteristics:

Description	Value	Paragraph per Standard			
		ISO		MIL-STD	
		2100	7137	1344	202
Vibration (Random)	Up to 40g RMS 20 to 2,000Hz	12		2005.1	201, 204, 214
Vibration (Sine)	Up to 15g PTP 10 to 2,000Hz	12		2005.1	201, 204, 214
Shock	100g X 6ms Half Sine		7	2004.1	213
Climatic					103, 106
Temperature (Operating and storage)	(-40°C) + (+80°C) – Continues (+81°C) + (+100°C) – with duty cycle 40%				
Humidity	Up to 95% @ Storage Temp. Range	18b		1002.2	
Altitude	Up to 70,000ft	18a	4		

NAME	SIGNATURE	DATE		THIS DOCUMENT CONTAINS PROPRIETARY INFORMATION OF RF IMMUNITY LTD. AND MAY NOT BE REPRODUCED, COPIED, DISCLOSED OR UTILIZED IN ANY WAY IN WHOLE OR IN PART, WITHOUT THE PRIOR WRITTEN CONSENT OF RF IMMUNITY LTD.	PROJECT		
VLADIMIR F		02.05.16	DRAFT			DO NOT MEASURE ON DWG. BREAK SHARP CORNERS. ALL UNDIMENSIONED RADIUS ARE R=0.5	XX
YURI Z.		02.05.16	CHECK				
NIR NISSIM		02.05.16	DESIGN			MATERIAL	SEE NOTE
REGINA YOFFE		02.05.16	PA.				
YURI Z.		02.05.16	APPR.				
NEXT ASSY.	SURF. FINISH						
XXXXX	N7						
SURFACE TREATMENTS:			MATERIAL				
SEE NOTE			SEE NOTE				
ANGLE PROJECTION	TOLER.	TITLE		POWER LINE FILTER			
	X. ±0.5 X.X ±0.2 X.XX ±0.05						
SCALE	N.A.	ANGLES	±30'	SIZE	DRAWING NO.		
				A2	PFT-DCP16CD1500A		
DIM. IN	MM	SHEET OF	1 1		REV. 1		

