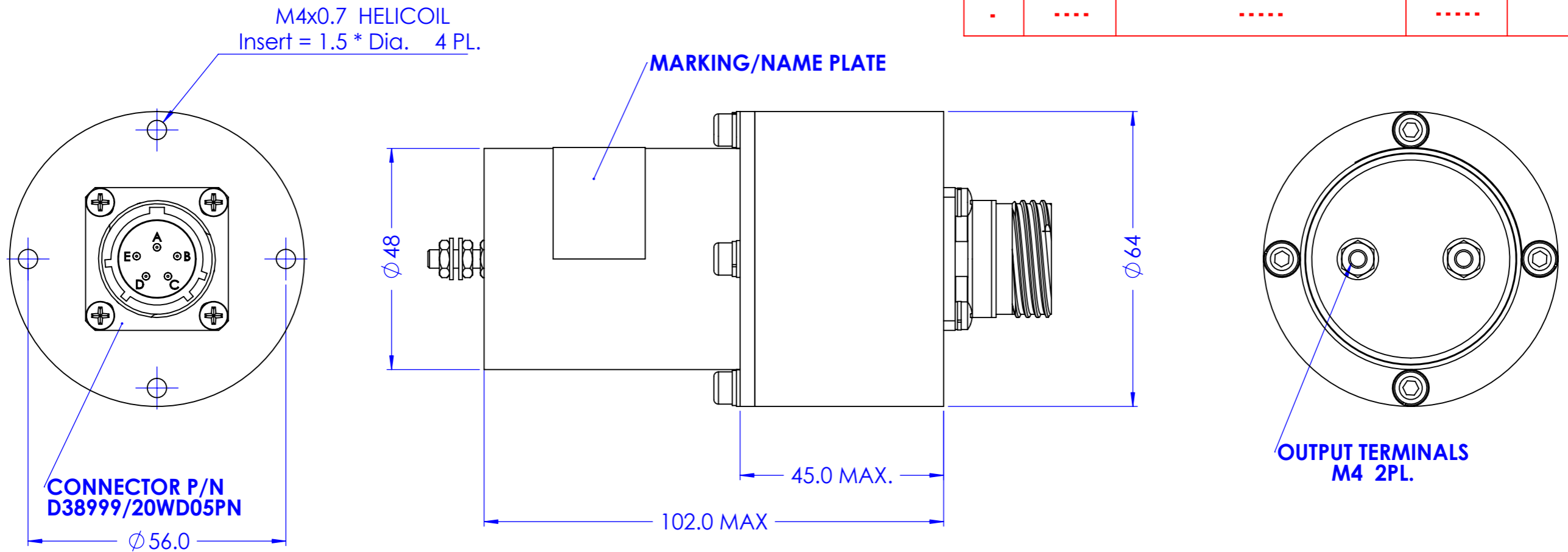
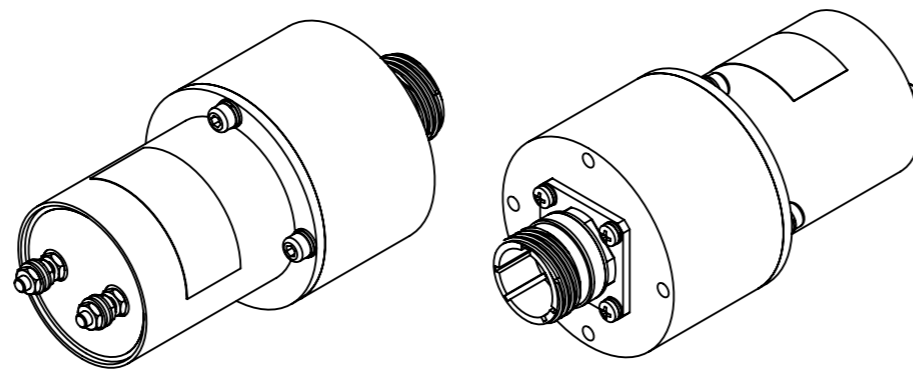


REV.	CHANGE ORDER No.	CHANGES	DATE	APPROVAL
-



P/N - PFT-ACA1Y2CD850B



NOTES:

1. CASE: AL. ALLOY, NICKEL PLATING
2. TERMINALS: COPPER ALLOY, TIN PLATED.
3. CONNECTOR: AL. ALLOY, OLIVE DRAB CADMIUM PLATING.
4. NAME PLATE: CUSTOMER P/N, MFR. P/N, S/N, DATE CODE.

NAME SIGNATURE	DATE		EmSignal
ROMAN FELDMAN	20.09.2006	DRAFT	
LEONID BRUSSER	20.09.2006	CHECK	
NIR NISSIM	20.09.2006	DESIGN	
SANDLER A.	20.09.2006	PA.	
NIR NISSIM	20.09.2006	APPR.	DO NOT MEASURE ON DWG. BREAK SHARP CORNERS. ALL UNDIMENSIONED RADIUS ARE R=0.5
SURFACE TREATMENTS: SEE NOTES			MATERIAL SEE NOTES
ANGLE PROJECTION	TOLER.		TITLE
	X.	±0.5	PFT-ACA1W2CD850B - FILTER ASSY
SURF. N7	X.X	±0.2	SIZE
DIM. IN: MM	X.XX	±0.05	DRAWING NO.
SCALE: 1:2	ANGLES	±30'	A3
	SHEET 1 OF 2		DD000478
REV. 2			
THIS DOCUMENT CONTAINS PROPRIETARY INFORMATION OF EMCIGNAL LTD. AND MAY NOT BE REPRODUCED, COPIED, DISCLOSED OR UTILIZED IN ANY WAY IN WHOLE OR IN PART, WITHOUT THE PRIOR WRITTEN CONSENT OF EMCIGNAL LTD.			

Electrical Specifications

Current Rating 10A / 60Hz
 Voltage Rating 110V / 60Hz / 1Ph
 Insulation Resistance 10M Ω min (L-G) @ 1000Vdc
 Typical Capacitance:
 L-L 2 μ F \pm 20%
 L-G 40nF \pm 20%
 Typical Series Inductance 230 μ H \pm 20%
 Attenuation of Internal EMI Filter – per table 1 (dB)

	100 kHz	1 MHz	10 MHz	100 MHz
L-L	50	70	-	-
L-G	-	1	30	60

Mechanical Specifications

Case Al Tin / Nickel Plated
 Out Terminals Brass, Tin / Nickel Plated
 Gen. Tolerance \pm 0.3

Environmental Requirements:

Operating Temperature: -20°C to +65°C
 Non- Operating Temperature: -40°C to +71°C
 Altitude: 15,000 FT
 Humidity: up to 95%
 Vibration:

Frequency {Hz}	PSD {G ² /Hz}
10 - 1000	0.02
1000 - 2000	Decrease -6 dB/Oct

Shock:

- Peak value of shock 7g
- Time Duration 11mS
- Wave shape Half Sine

REV.	CHANGE ORDER No.	CHANGES	DATE	APPROVAL
-

PIN OUT

Connector #
A PHASE
B NEUTRAL
C CGND
D,E N.C.

NAME SIGNATURE	DATE		EMCignal
ROMAN FELDMAN	20.09.2006	DRAFT	
LEONID BRUSSER	20.09.2006	CHECK	
NIR NISSIM	20.09.2006	DESIGN	
SANDLER A.	20.09.2006	PA.	
NIR NISSIM	20.09.2006	APPR.	DO NOT MEASURE ON DWG. BREAK SHARP CORNERS. ALL UNDIMENSIONED RADIUS ARE R=0.5
SURFACE TREATMENTS: SEE NOTES			MATERIAL SEE NOTES
ANGLE PROJECTION	TOLER. X. \pm 0.5 X.X \pm 0.2 X.XX \pm 0.05 ANGLES \pm 30'		TITLE PFT-ACA1W2CD850B - FILTER ASSY
SURF. N7	DIM. IN: MM	SCALE: 1:2	SIZE A3
SHEET 2 OF 2		DRAWING NO. DD000478	REV. 2
THIS DOCUMENT CONTAINS PROPRIETARY INFORMATION OF EMCIGNAL LTD. AND MAY NOT BE REPRODUCED, COPIED, DISCLOSED OR UTILIZED IN ANY WAY IN WHOLE OR IN PART, WITHOUT THE PRIOR WRITTEN CONSENT OF EMCIGNAL LTD.			