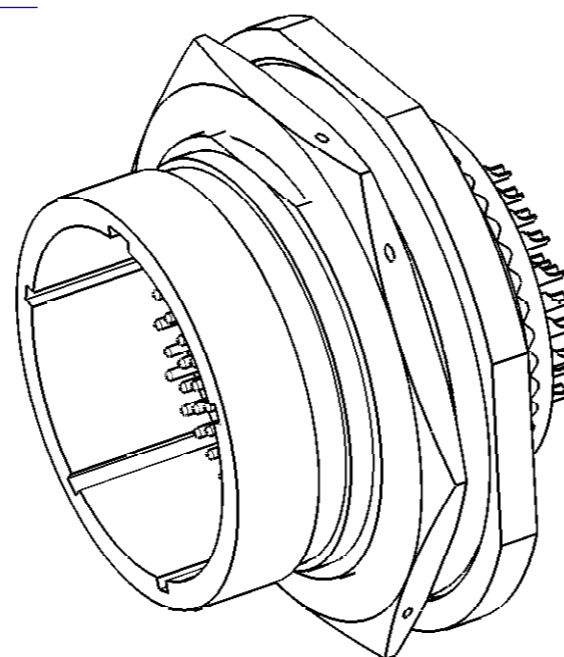
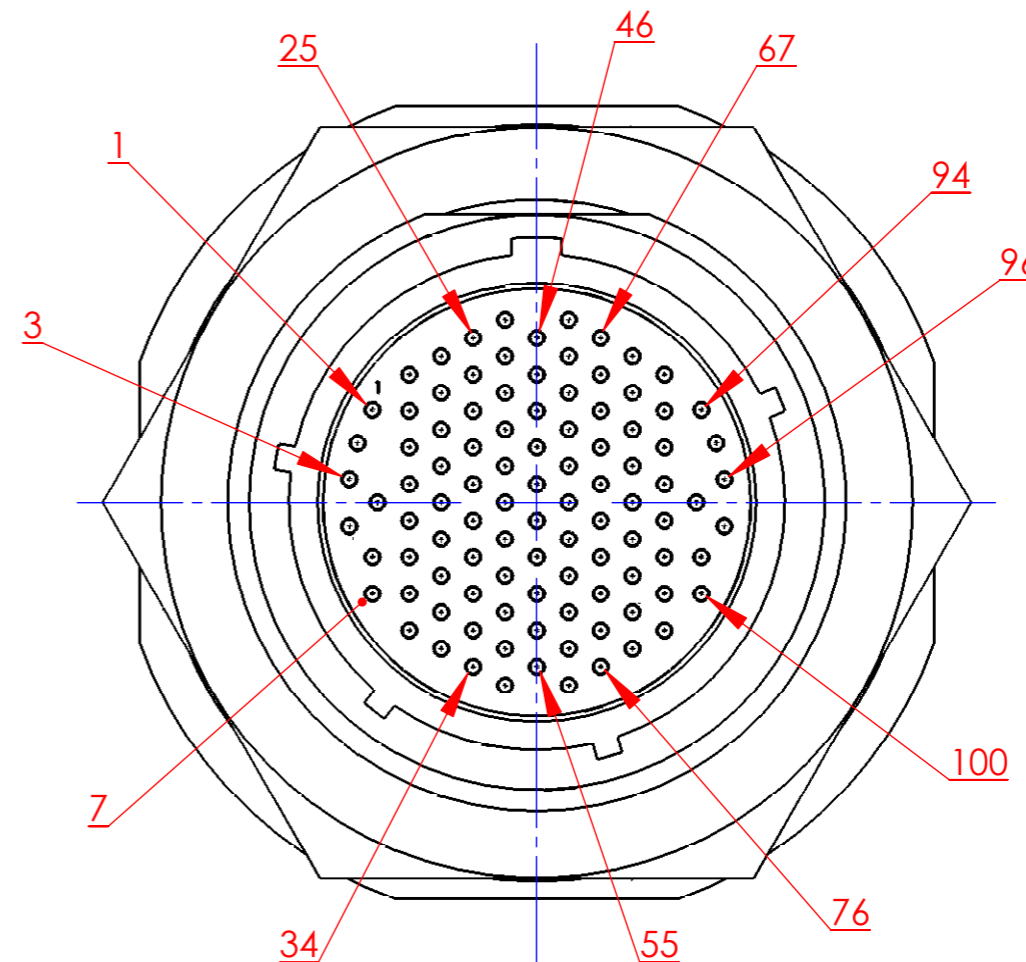
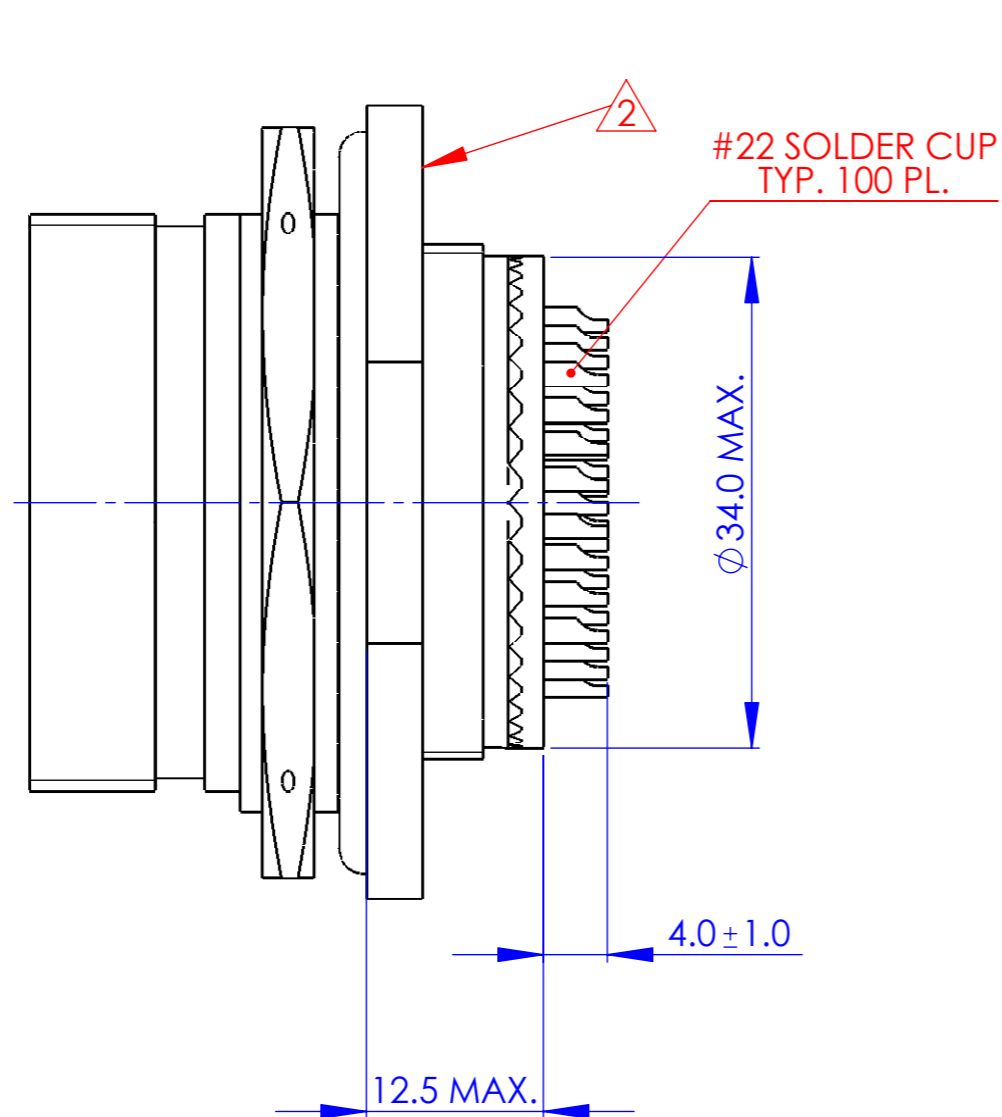


REV.	CHANGE ORDER No.	CHANGES	DATE	APPROVAL
A	68-10	BACKSHELL CANCELLATION, ATTENUATION TABLE CHANGING	20.12.10	EYAL R.



NAME	POSITION	DATE	THIS DOCUMENT CONTAINS PROPRIETARY INFORMATION OF RF IMMUNITY LTD. AND MAY NOT BE REPRODUCED, COPIED, DISCLOSED OR UTILIZED IN ANY WAY IN WHOLE OR IN PART, WITHOUT THE PRIOR WRITTEN CONSENT OF RF IMMUNITY LTD.	PROJECT		
YURI ZARHIN	MECHANIC. DESIGN	06.01.10			DO NOT MEASURE ON DWG. BREAK SHARP CORNERS. ALL UNDIMENSIONED RADIUS ARE R=0.2	...
YURI ZARHIN	DRAWING	06.01.10				
EYAL RONEN	ELECTR. DESIGN	06.01.10				
REGINA YOFFE	PA.	06.01.10				
NIR NISSIM	APPROVAL	06.01.10				
NEXT ASSY.	SURF. FINISH					
...	N7					

SURFACE TREATMENTS:	MATERIAL
....

ANGLE PROJECTION	TOLER.	TITLE:	CD FOR D38999/III 100 PIN CONT., HI-FILTER CONNECTOR
	X. ±0.5 X.X ±0.2 X.XX ±0.05 ANGLES ±30'		
SCALE N.A.		SIZE	DRAWING NO.
		A3	C3J23W35P1N070128
DIM. IN MM	Sheet 1 OF 2	REV.	A

NOTES:
1. FILTERED CONNECTOR BASED ON D38999/24WH35PN
2. MARKING: MFR. P/N., DATE CODE

Environmental Characteristics:

Description	Value	Paragraph per Standard			
		ISO		MIL-STD	
		2100	7137	1344	202
Sealing	Up to 10 ⁻³ cm ³ /s @ ΔP=1atm				
Vibration (Random)	Up to 40g RMS 20 to 2,000Hz	12		2005.1	201, 204, 214
Vibration (Sine)	Up to 15g PTP 10 to 2,000Hz	12		2005.1	201, 204, 214
Shock	100g X 6ms Half Sine		7	2004.1	213
Climatic					103, 106
Temperature	-55°C to +125°C Operating and Storage				
Humidity	Up to 95% @ Storage Temp. Range	18b		1002.2	
Altitude	Up to 70,000ft	18a	4		
Salt Spray		22		1001.1	101
Sand and Dust		23	12		
Contact Endurance	More than 500 mating cycles	16			

REV.	CHANGE ORDER No.	CHANGES	DATE	APPROVAL

Materials and Finishes:

Shell	Aluminum Alloy, Olive Drab Cadmium over Electroless Nickel plating
Contacts	Copper Alloy, 1.3 μm MIN. Gold Plated Over Nickel
Solder Cup	Copper Alloy, Tin Plated
Potting	Epoxy Cast

Filter Electrical Characteristics:

Contact Current Rating = 5A
Min. Insulation Resistance = 5GΩ

Minimum Attenuation (Measured per MIL-STD-220A; 50Ω System; No Load):

Contact	Filter Type	W.V. [V _{dc}]	D.W.V. [V _{dc}]	Cap. ±20% [pF]	f _∞ [MHz]	Attenuation [dB] vs. Frequency [MHz]					
						1	10	100	300	500	1000
All	Hi	200	500	380	14	0	1	21	70	70	70

NAME	POSITION	DATE	THIS DOCUMENT CONTAINS PROPRIETARY INFORMATION OF RF IMMUNITY LTD. AND MAY NOT BE REPRODUCED, COPIED, DISCLOSED OR UTILIZED IN ANY WAY IN WHOLE OR IN PART, WITHOUT THE PRIOR WRITTEN CONSENT OF RF IMMUNITY LTD.
YURI ZARHIN	MECHANIC. DESIGN	06.01.10	
YURI ZARHIN	DRAWING	06.01.10	
EYAL RONEN	ELECTR. DESIGN	06.01.10	
REGINA YOFFE	PA.	06.01.10	
NIR NISSIM	APPROVAL	06.01.10	DO NOT MEASURE ON DWG. BREAK SHARP CORNERS. ALL UNDIMENSIONED RADIUS ARE R=0.2
NEXT ASSY.	SURF. FINISH		PROJECT
---	N7		---
SURFACE TREATMENTS:			MATERIAL
---			---
ANGLE PROJECTION	TOLER.	TITLE: CD FOR D38999/III 100 PIN CONT., HI-FILTER CONNECTOR	
	X. ±0.5		
	X.X ±0.2		
	X.XX ±0.05		
SCALE N.A.	ANGLES ±30'	SIZE	DRAWING NO.
DIM. IN MM	Sheet2 OF 2	A3	C3J23W35P1N070128
			REV. A