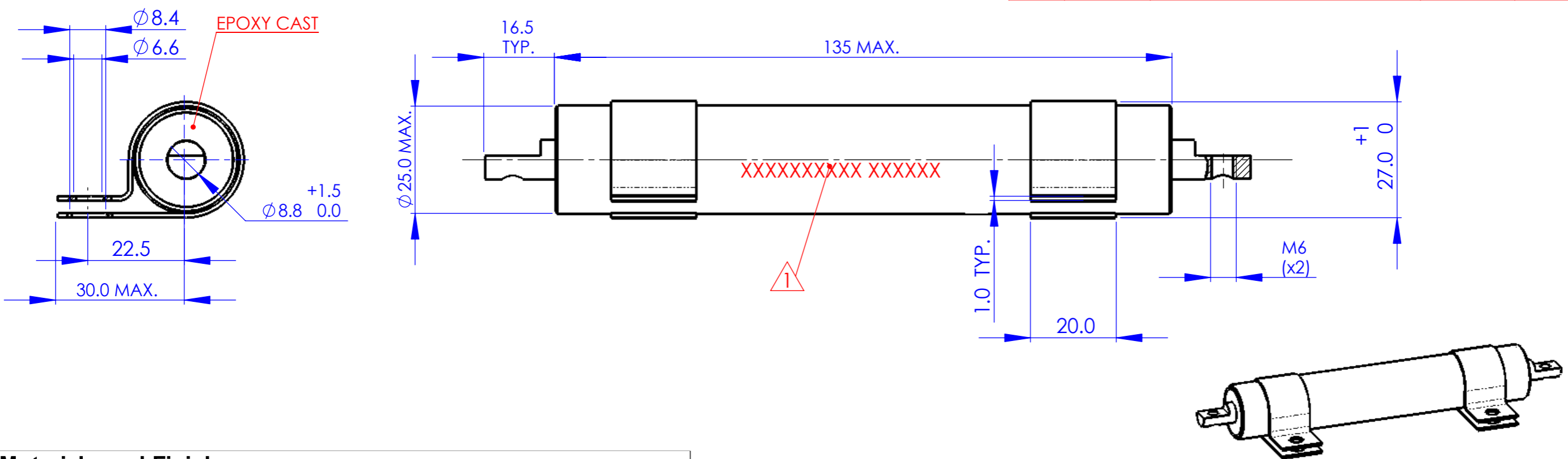


REV.	CHANGE ORDER No.	CHANGES	DATE	APPROVAL



Materials and Finishes:

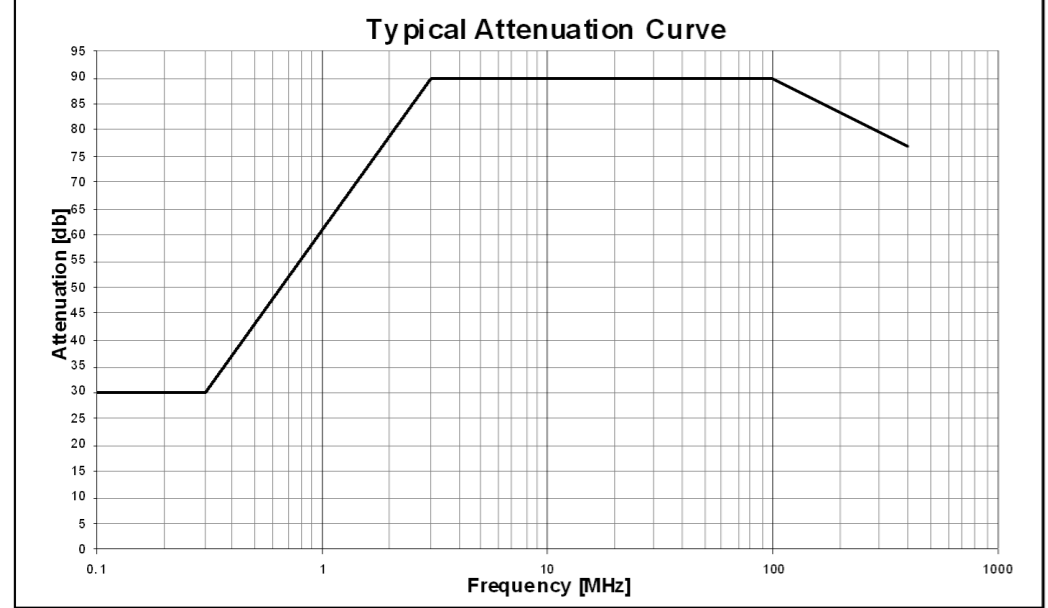
Housing	Aluminum Alloy, Chromate Conversions Coating per MIL-C-5541, Class 3 (Natural Alodine)
Terminal	Copper Alloy, Tin Plated
Fixing Clamps	Steel, Zinc Plated
Potting	Epoxy Cast

NOTES:

1. MARKING: MANUFACTURER P/N, DATE CODE

Noise Filter

C _{IN} ±20%	C _{OUT} ±20%	Maximum Voltage	Continues Current
2.2µF	2.2µF	160V _{Dc}	120A



NAME	POSITION	DATE	THIS DOCUMENT CONTAINS PROPRIETARY INFORMATION OF RF IMMUNITY LTD. AND MAY NOT BE REPRODUCED, COPIED, DISCLOSED OR UTILIZED IN ANY WAY IN WHOLE OR IN PART, WITHOUT THE PRIOR WRITTEN CONSENT OF RF IMMUNITY LTD.
YURI ZARHIN	MECHANIC. DESIGN	18.11.10	
YURI ZARHIN	DRAWING	18.11.10	
EYAL RONEN	ELECTR. DESIGN	18.11.10	
REGINA YOFFE	PA.	18.11.10	
NIR NISSIM	APPROVAL	18.11.10	DO NOT MEASURE ON DWG. BREAK SHARP CORNERS. ALL UNDIMENSIONED RADIUS ARE R=0.2
NEXT ASSY.	SURF. FINISH		PROJECT
---	N7		---
SURFACE TREATMENTS:			MATERIAL
---			---
ANGLE PROJECTION	TOLER.	TITLE:	
	X. ±0.5	CD FOR FOR FEED THROUGH FILTER 120A/160V	
	X.X ±0.2		
	X.XX ±0.05		
SCALE N.A.	ANGLES ±30'	SIZE	DRAWING NO.
		A3	AU001188
DIM. IN MM	Sheet 1 OF 1	REV.	NEW