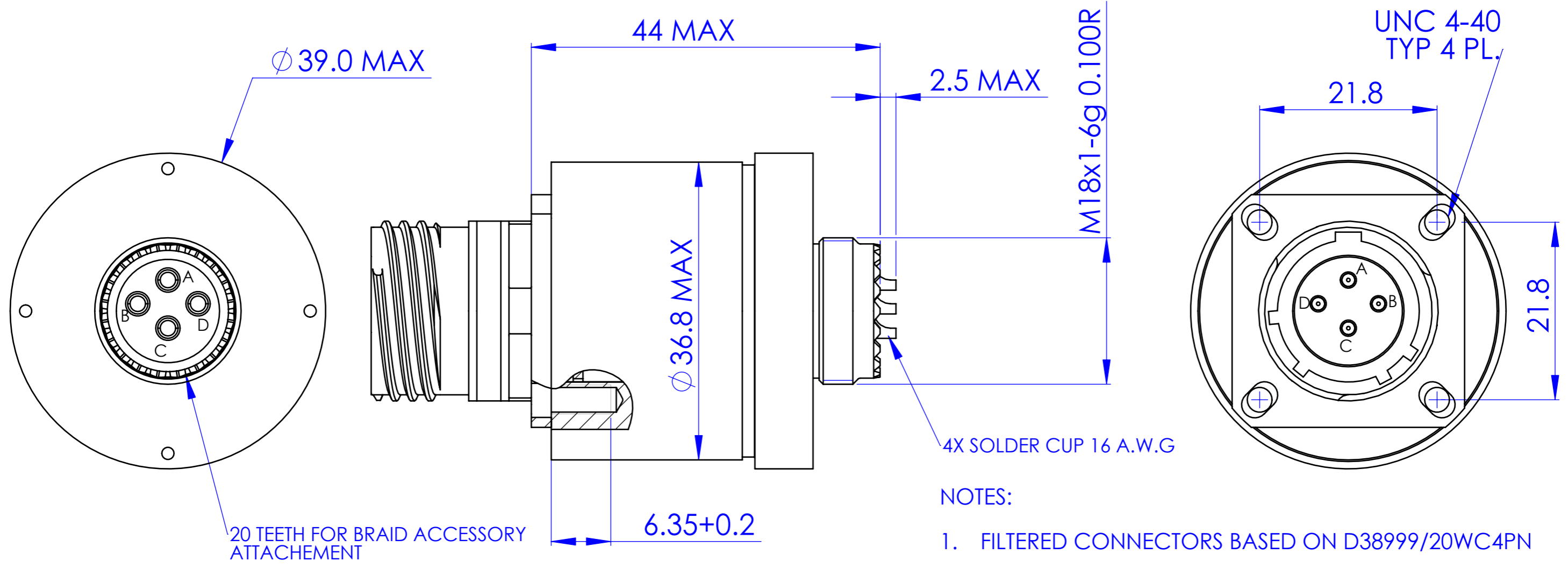
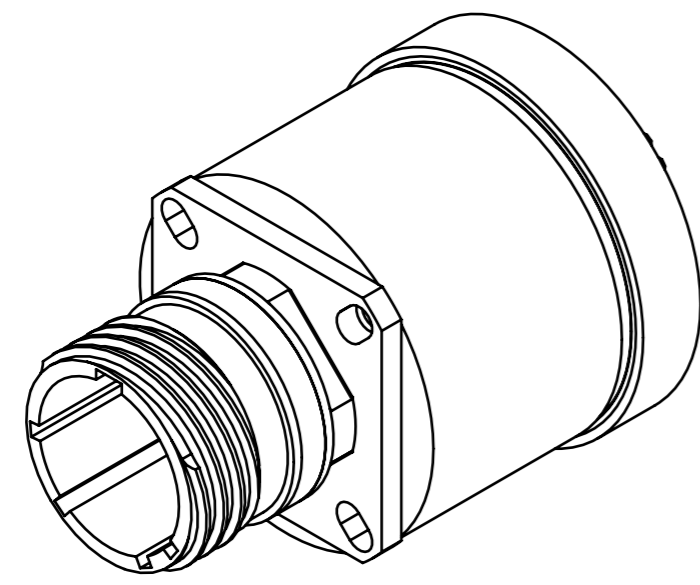


REV.	CHANGE ORDER No.	CHANGES	DATE	APPROVAL
X	XXXX	XXXXX	XXXXX	XXXXX



NOTES:

1. FILTERED CONNECTORS BASED ON D38999/20WC4PN



NAME	SIGNATURE	DATE		THIS DOCUMENT CONTAINS PROPRIETARY INFORMATION OF RF IMMUNITY LTD. AND MAY NOT BE REPRODUCED, COPIED, DISCLOSED OR UTILIZED IN ANY WAY IN WHOLE OR IN PART, WITHOUT THE PRIOR WRITTEN CONSENT OF RF IMMUNITY LTD.	PROJECT XX
YURI Z.		28.08.06	DRAFT		
NIR NISSIM		28.08.06	CHECK		
YURI Z.		28.08.06	DESIGN		
REGINA YOFFE		28.08.06	PA.		
TINO.N		28.08.06	APPR.		
NEXT ASSY.	SURF. FINISH			DO NOT MEASURE ON DWG. BREAK SHARP CORNERS. ALL UNDIMENSIONED RADIUS ARE R=0.5	
XXXXX	N7				
SURFACE TREATMENTS:				MATERIAL	
ANGLE PROJECTION	TOLER.	TITLE	CD FOR 115-220Vac/50-60Hz, 1ph, PWR LINE FILTER		
	X. ±0.5				
	X.X ±0.2				
	X.XX ±0.05				
SCALE	ANGLES ±30'	SIZE	DRAWING NO.	REV.	
N.A		A3	C3W13W04P1N110030	NEW	
DIM. IN	SHEET OF				
MM	1 OF 2				

REV.	CHANGE ORDER No.	CHANGES	DATE	APPROVAL
X	XXXX	XXXXX	XXXXX	XXXXX

MATERIAL:

SHELL = ALUMINUM, OLIVE DRAB CADMIUM PLATING.
 BACK SHELL= ALUMINUM, NICKEL PLATING.
 CONTACTS = COPPER ALLOY, GOLD PLATED OVER NICEL.
 POTTING = EPOXY

ENVIRONMENTAL CONDITIONS:

DISCRPTION	LEVEL, DURATION, ECT.	PARAGRAPH PER STANDARD			
		ISO2100	ISO7137	MIL-STD. -1344	MIL-STD. -202
TEMPERATURE	-55 °C TO 125 °C, OPERATING AND STORAGE.	5a			
ALTITUDE	UP TO 70000 ft.	18a	4		
SALT SPRAY	48 HOURS.				
HUMIDITY	UP TO 95% R.H. @ STORAGE TEMP RANGE.	18b		1002.2	
SAND AND DUST		23	12		
MECHANICAL SHOCK	100g. X 6ms. HALF SINE.		7	2004.1	213
VIBRATION (RANDOM)	UP TO 40g. RMS, 20 TO 2000 Hz.	12		2005.1	201,204,215.
VIBRATION (SINE)	UP TO 15g. ptp, 20 TO 2000 Hz.	12		2005.1	201,204,215.

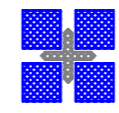
ELECTRICAL:

I = 5 Aac
 W.V = 115-220 Vac / 50-60 Hz
 D.W.V = 3000Vdc@5sec.
 IR = 5GΩ@100Vdc/2minutes.
 TYPICAL CAP. = PER TABLE 1 ±20%
 ATTENUATION PER MIL-STD-220A (IN 50Ω SYSTEM NO LOAD) PER TABLE 1.

TABLE 1:

CONT. NO.	CAP. [nF]	FILTER TYPE	MIN. ATT. [dB] Vs Freq [Hz]				
			25K	1.5M	30M	200M	1G
A,B	60	Pi	23	60	65	65	60
C,D	N.A.	N.A.	-	-	-	-	-

NAME SIGNATURE	DATE		THIS DOCUMENT CONTAINS PROPRIETARY INFORMATION OF RF IMMUNITY LTD. AND MAY NOT BE REPRODUCED, COPIED, DISCLOSED OR UTILIZED IN ANY WAY IN WHOLE OR IN PART, WITHOUT THE PRIOR WRITTEN CONSENT OF RF IMMUNITY LTD.
YURI Z.	28.08.06	DRAFT	
NIR NISSIM	28.08.06	CHECK	
YURI Z.	28.08.06	DESIGN	
REGINA YOFFE	28.08.06	PA.	
TINO N.	28.08.06	APPR.	DO NOT MEASURE ON DWG. BREAK SHARP CORNERS. ALL UNDIMENSIONED RADIUS ARE R=0.5
NEXT ASSY. XXXXX	SURF. FINISH N7		PROJECT XX
SURFACE TREATMENTS: XXXXX			MATERIAL XXXXX
ANGLE PROJECTION	TOLER.	TITLE	CD FOR 115-220Vac/50-60Hz, 1ph, PWR LINE FILTER
	X. ±0.5 X.X ±0.2 X.XX ±0.05		
SCALE N.A.	ANGLES ±30'	SIZE	DRAWING NO.
DIM. IN MM	SHEET OF 2	A3	C3W13W04P1N110030
			REV. NEW



RF Immunity Ltd.