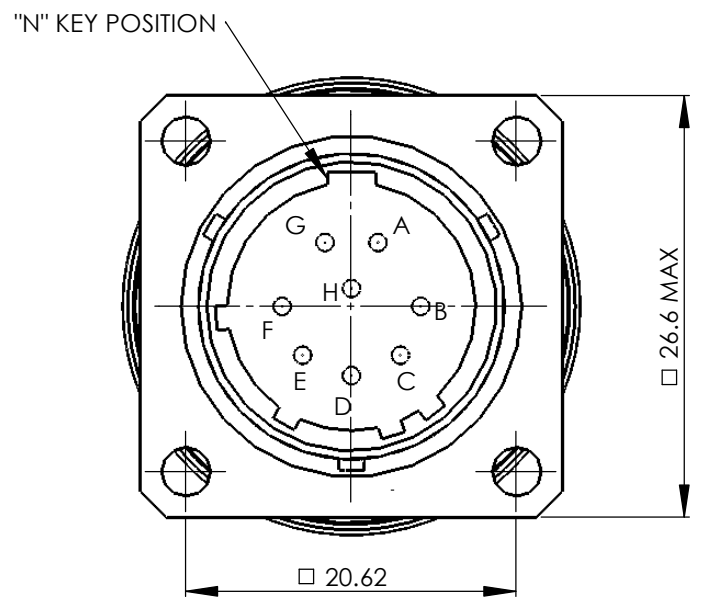
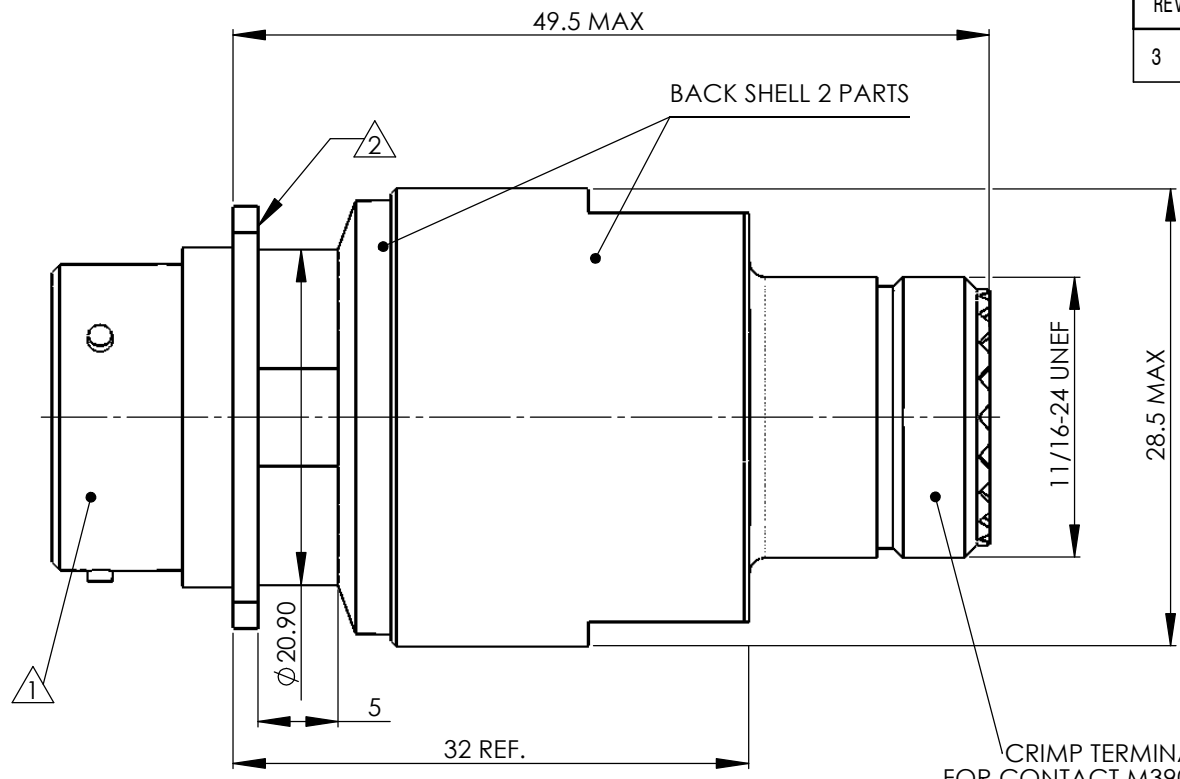
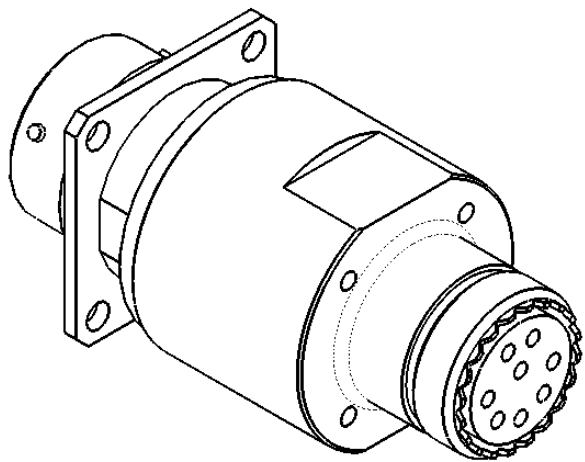


REV.	CHANGE ORDER No.	CHANGES	DATE	APPROVAL
3				



CRIMP TERMINATION FOR CONTACT M39029/58-363.



- NOTES:
 1. FILTERED CONNECTOR BASED ON MS27497T12F08P
 2. MARKING: RF PART NUMBER, DATE CODE, S/N XXXX

NAME	DATE		THIS DOCUMENT CONTAINS PROPRIETARY INFORMATION OF RF IMMUNITY LTD. AND MAY NOT BE REPRODUCED, COPIED, DISCLOSED OR UTILIZED IN ANY WAY IN WHOLE OR IN PART, WITHOUT THE PRIOR WRITTEN CONSENT OF RF IMMUNITY LTD.	
EYAL RONEN	17.12.07	EL.DESIGN	DO NOT MEASURE ON DWG. BREAK SHARP CORNERS. ALL UNDIMENSIONED RADIUS ARE R=0.2	
NIR NISSIM	17.12.07	CHECK		
YURI ZARHIN	17.12.07	MECH.DESIGN		
REGINA YOFFE	17.12.07	PA.		
NIR NISSIM	17.12.07	APPR.	PROJECT	
NEXT ASSY.	SURF. FINISH		---	
---	N7			
SURFACE TREATMENTS:			MATERIAL	
----			----	
ANGLE PROJECTION	TOLER.	TITLE:		
	X. ±0.5	CD		
	X.X ±0.2	FILTERED REAR WALL MOUNT, MALE CONNECTOR		
	X.XX ±0.05	FOR MILL-C-38999/II, 12-08		
SCALE N.A.	ANGLES ±30'	SIZE	DRAWING NO.	REV.
DIM. IN MM	Sheet 1 OF 2	A3	AU001089	3

REV.	CHANGE ORDER No.	CHANGES	DATE	APPROVAL
3				

MATERIALS:

SHELL = ALUMINIUM ALLOY, ELECTROLESS NICKEL PLATING.
 BACK SHELL = ALUMINIUM ALLOY, ELECTROLESS NICKEL PLATING.
 CONTACTS = COPPER ALLOY, GOLD PLATED OVER NICKEL.
 POTTING = EPOXY CAST.

ENVIRONMENTAL CONDITIONS:

DESCRIPTION	LEVEL, DURATION, ECT.	PARAGRAPH PER STANDARD			
		ISO2100	ISO7137	MIL-STD.-1344	MIL-STD.-202
TEMPERATURE	-55 °C TO 125 °C, OPERATING AND STORAGE.				
ALTITUDE	UP TO 70000 ft.	18a	4		
SALT SPRAY		22		1001.1	
HUMIDITY	UP TO 100% R.H. @ STORAGE TEMP RANGE.	18b		1002.2	
SAND AND DUST		23	12		
CLIMATIC					103, 106
MECHANICAL SHOCK	100g. X 6ms. HALF SINE.		7	2004.1	213
VIBRATION (RANDOM)	UP TO 40g. RMS, 20 TO 2000 Hz.	12		2005.1	201,204,214
VIBRATION (SINE)	UP TO 15g. ptp, 20 TO 2000 Hz.	12		2005.1	201,204,214

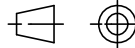
DRAFT

Electrical Characteristics:

Current Rating 7.5A
Working Voltage 500V_{DC} Line to CGND (Connector Shell)
Dielectric Withstanding Voltage 750V_{DC} Line to CGND (Connector Shell)
Insulation Resistance 100 MΩ min.
Insertion Loss (per Table 1) Measured per MIL-STD-220A; 50Ω System, No Load

Table 1:

Contact No.	Cap. ±20%	Filter Type	f _{co} (Typical) [kHz]	Minimum Attenuation [dB] Vs. Frequency [MHz]									
				0.1	0.5	1	5	10	50	100	500	1G	
1-7	467nF	Pi	13.7	14	32	40	52	60	65	65	65	65	
8	-	No filter	-	-	-	-	-	-	-	-	-	-	

NAME	DATE		THIS DOCUMENT CONTAINS PROPRIETARY INFORMATION OF RF IMMUNITY LTD. AND MAY NOT BE REPRODUCED, COPIED, DISCLOSED OR UTILIZED IN ANY WAY IN WHOLE OR IN PART, WITHOUT THE PRIOR WRITTEN CONSENT OF RF IMMUNITY LTD.	
EYAL RONEN	17.12.07	EL. DESIGN	DO NOT MEASURE ON DWG. BREAK SHARP CORNERS. ALL UNDIMENSIONED RADIUS ARE R=0.2	
NIR NISSIM	17.12.07	CHECK		
YURI ZARHIN	17.12.07	MECH.DESIGN	PROJECT	
REGINA YOFFE	17.12.07	PA.		
NIR NISSIM	17.12.07	APPR.	---	
NEXT ASSY.	SURF. FINISH			
---	N7		MATERIAL	
SURFACE TREATMENTS:			---	
ANGLE PROJECTION			TITLE: CD	
			FILTERED REAR WALL MOUNT, MALE CONNECTOR FOR MILL-C-38999/II , 12-08	
TOLER.			SIZE	
X. ±0.5 X.X ±0.2 X.XX ±0.05 ANGLES ±30'			DRAWING NO.	
SCALE N.A.			REV.	
DIM. IN MM			A3	
Sheet 2 OF 2			AU001089	
			3	



RF Immunity Ltd.