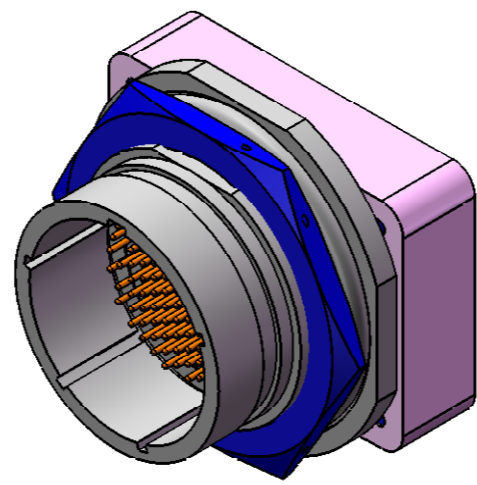
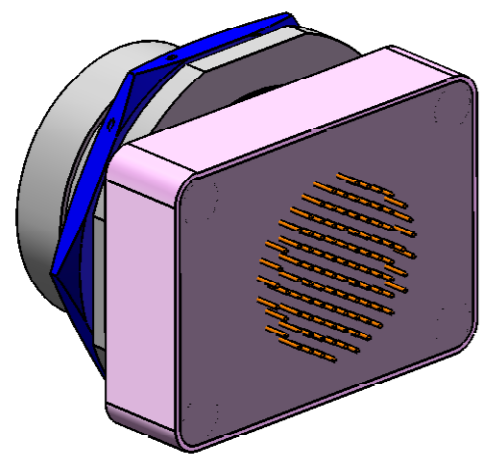
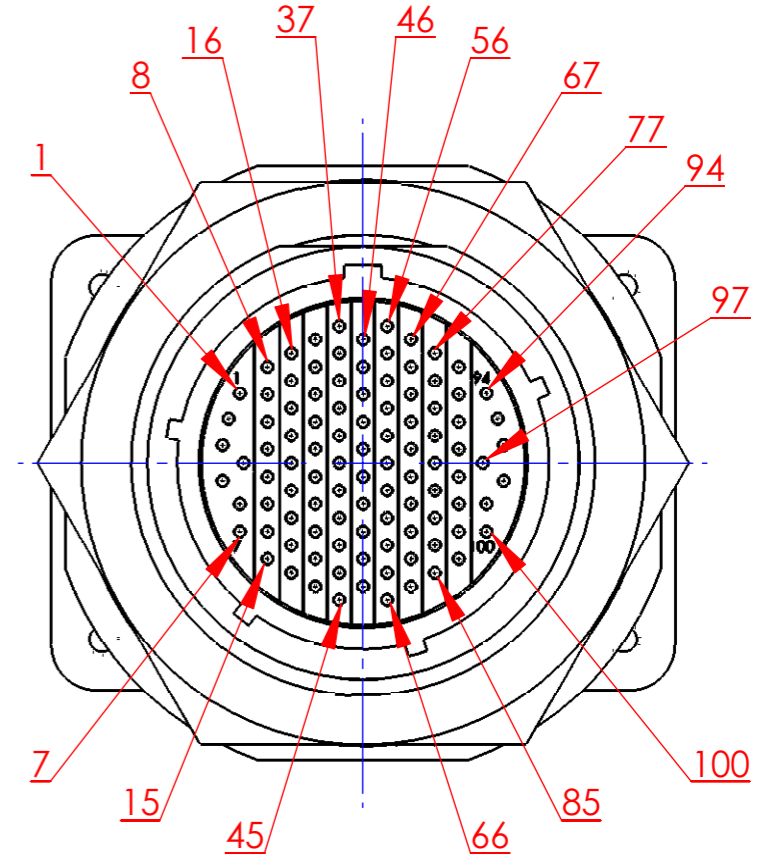
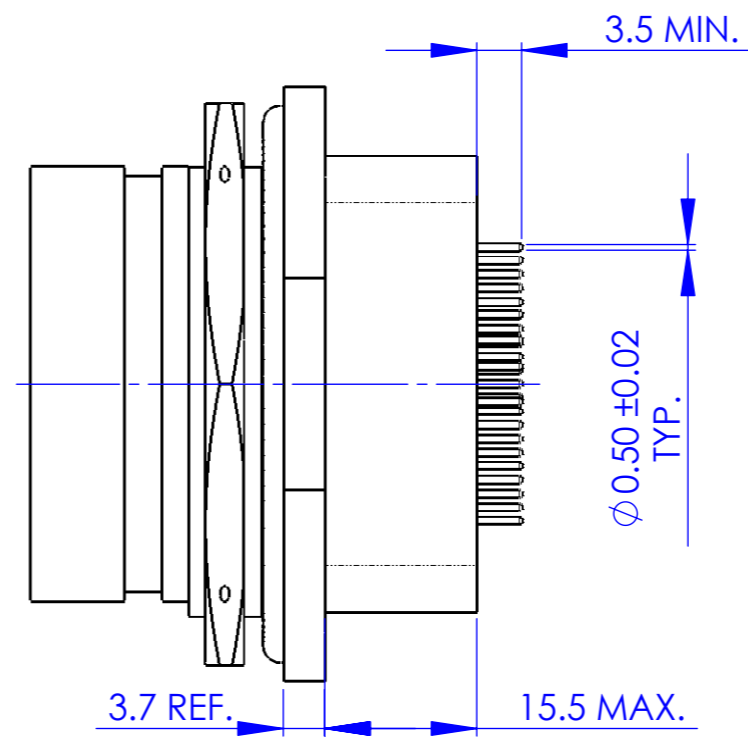
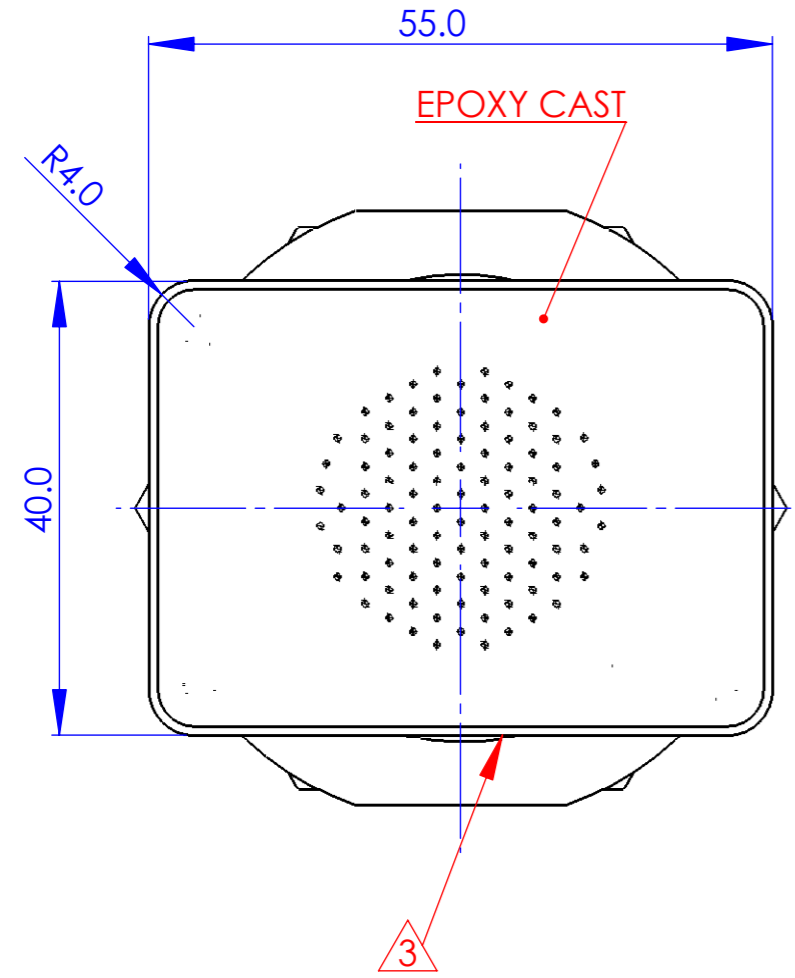


REV.	CHANGE ORDER No.	CHANGES	DATE	APPROVAL



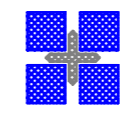
- NOTES:**
- CONNECTOR BASED ON D38999/24FH35PN
 - ELOP P/N: SD 4555-2210-00 rev B
 - MARKING: CUSTOMER P/N, MANUFACTURER P/N, DATE CODE

NAME	POSITION	DATE	THIS DOCUMENT CONTAINS PROPRIETARY INFORMATION OF RF IMMUNITY LTD. AND MAY NOT BE REPRODUCED, COPIED, DISCLOSED OR UTILIZED IN ANY WAY IN WHOLE OR IN PART, WITHOUT THE PRIOR WRITTEN CONSENT OF RF IMMUNITY LTD.	PROJECT		
YURI ZARHIN	MECHANIC. DESIGN	25.10.09			DO NOT MEASURE ON DWG. BREAK SHARP CORNERS. ALL UNDIMENSIONED RADIUS ARE R=0.2	...
YURI ZARHIN	DRAWING	25.10.09				
EYAL RONEN	ELECTR. DESIGN	25.10.09				
REGINA YOFFE	PA.	25.10.09				
NIR NISSIM	APPROVAL	25.10.09				
NEXT ASSY.	SURF. FINISH					
---	N7					

SURFACE TREATMENTS: MATERIAL

----- -----

ANGLE PROJECTION	TOLER.	TITLE:
	X. ±0.5	CD D38999/III FILTERED AND LIGHTNING PROTECTED 100 PIN CONT. CONNECTOR
	X.X ±0.2	
	X.XX ±0.05	
SCALE N.A.	ANGLES ±30'	SIZE
DIM. IN MM	Sheet 1 OF 2	DRAWING NO.
		A3
		REV.
		NEW



RF Immunity Ltd.

Filter and Lightning Protection¹ Characteristics:

Contact	Filter Type	Filter Cap. ² ±20%	Attenuation ³ [dB] vs. Frequency [MHz]				Standoff Voltage [V]	Clamping Voltage [V]	Max. Cap. ²
			1	10	100	1000			
1, 2, 8, 9	No Filter	20pF	-	-	-	-	12	19.9	300pF
3, 4, 6, 7, 11, 12, 14, 15, 20-24, 30, 41, 42, 44, 45, 49-52	PI	440pF	0	0	20	54	6	10.3	1nF
5, 10, 13, 18, 27, 29, 37, 43, 48, 55, 67, 69, 74, 76, 84, 93, 98	CGND	-	-	-	-	-	-	-	-
16, 17, 83, 91, 92, 100	No Filter	20pF	-	-	-	-	5	9.2	100pF
19, 33, 90	PI	20nF	6	32	60	49	5	9.2	24.5nF
25, 26, 28, 58, 68, 71-73, 77-82, 88, 89, 94, 95	No Filter	20pF	-	-	-	-	-	-	20pF
31, 32, 53, 54, 59-62, 70, 86, 87, 99	PI	3.6nF	0	12	58	50	51	82.4	4.8nF
34, 38	PI	3.6nF	0	12	58	50	6	10.3	4.8nF
[35+36] ⁴ , [46+47] ⁴	PI	40nF	6	32	60	49	51	82.4	44.5nF
39, 40, 96, 97	PI	440pF	0	0	20	54	20	32.4	1nF
56, 57	PI	3.6nF	0	12	58	50	20	32.4	4.8nF
63, 64	PI	3.6nF	0	12	58	50	12	19.9	4.8nF
65, 66, 75, 85	PI	20nF	6	32	60	49	51	82.4	24.5nF

(1) – Lightning Protection as defined in RTCA DO-160E section 22 category A3XXX.

(2) – Max. Capacitance for line includes lightning protection capacitance.

(3) – No-load Insertion loss measurements in 50Ω system per MIL-STD-220

(4) – Contacts [35+36] and [46+47] have filter capacitance of 20nF±20% for line.

Contacts [35+36] are jointed to each other.

Contacts [46+47] are jointed to each other.

The total filter capacitance of these contacts is 40nF±20%.

Materials and Finishes:

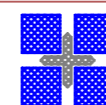
Shell	Aluminum Alloy, Electroless Nickel Plating
Back Shell	Aluminum Alloy, Electroless Nickel Plating
Contacts	Copper Alloy, Gold Plated Over Nickel
Potting	Epoxy Potting

REV.	CHANGE ORDER No.	CHANGES	DATE	APPROVAL

Environmental Characteristics:

Description	Value	Paragraph per Standard			
		ISO		MIL-STD	
		2100	7137	1344	202
Sealing	Up to 10 ⁻³ cm ³ /s @ ΔP=1atm				
Vibration (Random)	Up to 40g RMS 20 to 2,000Hz	12		2005.1	201, 204, 214
Vibration (Sine)	Up to 15g PTP 10 to 2,000Hz	12		2005.1	201, 204, 214
Shock	100g X 6ms Half Sine		7	2004.1	213
Climatic					103, 106
Temperature	-55°C to +125°C Operating and Storage				
Humidity	Up to 95% @ Storage Temp. Range	18b		1002.2	
Altitude	Up to 70,000ft	18a	4		
Salt Spray		22		1001.1	101
Sand and Dust		23	12		
Contact Endurance	More than 500 mating cycles	16			

NAME	POSITION	DATE	THIS DOCUMENT CONTAINS PROPRIETARY INFORMATION OF RF IMMUNITY LTD. AND MAY NOT BE REPRODUCED, COPIED, DISCLOSED OR UTILIZED IN ANY WAY IN WHOLE OR IN PART, WITHOUT THE PRIOR WRITTEN CONSENT OF RF IMMUNITY LTD.	PROJECT		
YURI ZARHIN	MECHANIC. DESIGN	25.10.09			DO NOT MEASURE ON DWG. BREAK SHARP CORNERS. ALL UNDIMENSIONED RADIUS ARE R=0.2	---
YURI ZARHIN	DRAWING	25.10.09				
EYAL RONEN	ELECTR. DESIGN	25.10.09				
REGINA YOFFE	PA.	25.10.09				
NIR NISSIM	APPROVAL	25.10.09				
NEXT ASSY.	SURF. FINISH					
---	N7					
SURFACE TREATMENTS:			MATERIAL			
----			----			
ANGLE PROJECTION	TOLER.	TITLE:				
	X. ±0.5	CD D38999/III FILTERED AND LIGHTNING PROTECTED 100 PIN CONT. CONNECTOR				
	X.X ±0.2					
	X.XX ±0.05					
	ANGLES ±30'					
SCALE	N.A.	SIZE	DRAWING NO.	REV.		
DIM.	Sheet2	A3	AU001140	NEW		
IN	OF 2					



RF Immunity Ltd.