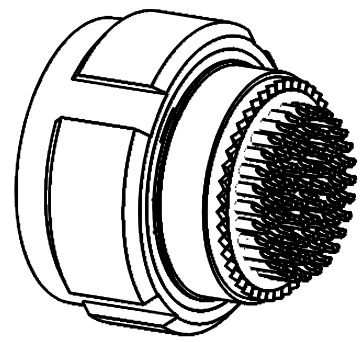
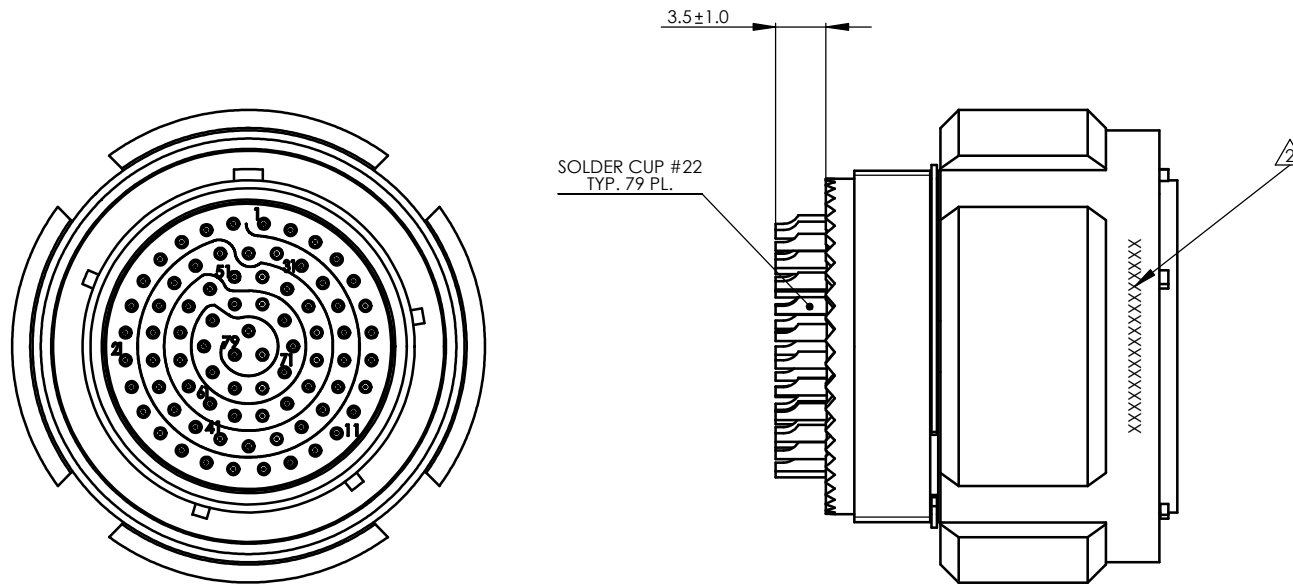


REV.	CHANGE ORDER No.	CHANGES	DATE	APPROVAL



NOTES:
 1. FILTERED CONNECTOR BASED ON D38999/26WG35PN
 △ MARKING: MANUFACTURER P/N, DATE CODE, CUSTOMER P/N. (IF REQUIRED)

NAME SIGNATURE	DATE		THIS DOCUMENT CONTAINS PROPRIETARY INFORMATION OF RF IMMUNITY LTD. AND MAY NOT BE REPRODUCED, COPIED, DISCLOSED OR UTILIZED IN ANY WAY IN WHOLE OR IN PART, WITHOUT THE PRIOR WRITTEN CONSENT OF RF IMMUNITY LTD.	
YURI Z.	26.05.09	DRAFT		
NIR NISSIM	26.05.09	CHECK		
YURI Z.	26.05.09	DESIGN		
REGINA YOFFE	26.05.09	PA.		
NIR NISSIM	26.05.09	APPR.		
NEXT ASSY.	SURF. FINISH		DO NOT MEASURE ON DWG. BREAK SHARP CORNERS. ALL UNDIMENSIONED RADIUS ARE R=0.5	PROJECT XX
XXXXX	N7			
SURFACE TREATMENTS:			MATERIAL	
ANGLE PROJECTION	TOLER.	TITLE	CD FOR FILTER PLUG CONNECTOR 79 PIN CONT. PER MIL-C-38999/III	
⊕	X. ±0.5 X.X ±0.2 X.XX ±0.05			
SCALE	N.A.	SIZE	DRAWING NO.	REV.
DIM. IN MM	SHEET OF 1 2	A2	C3P21W35P1N060087	1

REV.	CHANGE ORDER No.	CHANGES	DATE	APPROVAL

Environmental Characteristics:

Description	Value	Paragraph per Standard			
		ISO		MIL-STD	
		2100	7137	1344	202
Sealing	Up to $10^{-3} \text{cm}^3/\text{s}$ @ $\Delta P=1 \text{atm}$				
Vibration (Random)	Up to 40g RMS 20 to 2,000Hz	12		2005.1	201, 204, 214
Vibration (Sine)	Up to 15g PTP 10 to 2,000Hz	12		2005.1	201, 204, 214
Shock	100g X 6ms Half Sine		7	2004.1	213
Climatic					103, 106
Temperature	-55°C to +125°C Operating and Storage				
Humidity	Up to 95% @ Storage Temp. Range	18b		1002.2	
Altitude	Up to 70,000ft	18a	4		
Salt Spray		22		1001.1	101
Sand and Dust		23	12		
Contact Endurance	More than 500 mating cycles	16			

Materials and Finishes:

Shell	Aluminum Alloy, Olive Drab Cadmium Plated
Contacts	Copper Alloy, Gold Plated Over Nickel
Solder Cup	Copper Alloy, Tin Plated
Potting	Epoxy Cast

Filter Electrical Characteristics:

Working Voltage	-	50V _{DC}
D.W.V.	-	125V _{DC}
Current Rating	-	5A
Min. I.R.	-	1GΩ

Minimum Attenuation per MIL-STD-220 in 50Ω System / No-Load:

Contact Number	Cap. ±20%	Filter Type	f_{co} [Hz]	Attenuation [dB] vs. Frequency [MHz]				
				0.1	1	10	100	1000
1-4, 36, 41-44, 75	132nF	C	49k	6	22	40	55	55
All others	440pF	Pi	14.5M	0	0	0	20	54

DRAFT

NAME SIGNATURE	DATE		THIS DOCUMENT CONTAINS PROPRIETARY INFORMATION OF RF IMMUNITY LTD. AND MAY NOT BE REPRODUCED, COPIED, DISCLOSED OR UTILIZED IN ANY WAY IN WHOLE OR IN PART, WITHOUT THE PRIOR WRITTEN CONSENT OF RF IMMUNITY LTD.	PROJECT XX
YURI Z.	26.05.09	DRAFT		
NIR NISSIM	26.05.09	CHECK		
YURI Z.	26.05.09	DESIGN		
REGINA YOFFE	26.05.09	PA.		
NIR NISSIM	26.05.09	APPR.	DO NOT MEASURE ON DWG. BREAK SHARP CORNERS. ALL UNDIMENSIONED RADII ARE R=0.5	
NEXT ASSY. XXXXX	SURF. FINISH N7		SURFACE TREATMENTS:	MATERIAL
ANGLE PROJECTION 	TOLER. X. ±0.5 X.X ±0.2 X.XX ±0.05 ANGLES ±30'		TITLE CD FOR FILTER PLUG CONNECTOR 79 PIN CONT. PER MIL-C-38999/III	
SCALE N.A.	SHEET 2	SIZE A2	DRAWING NO.	REV.
DIM. IN _____ MM	OF 2		C3P21W35P1N060087	1



RF Immunity Ltd.