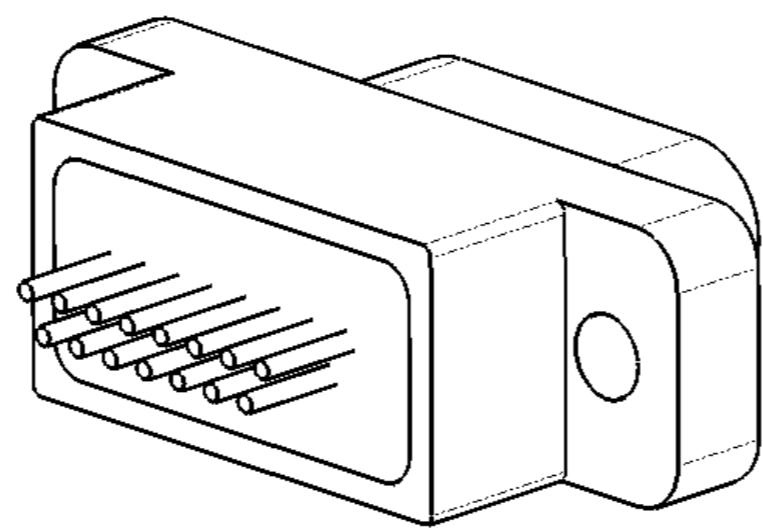
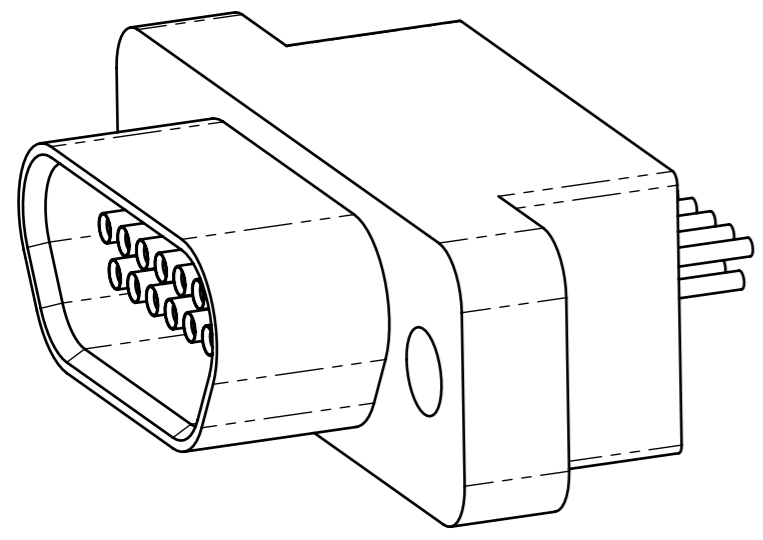
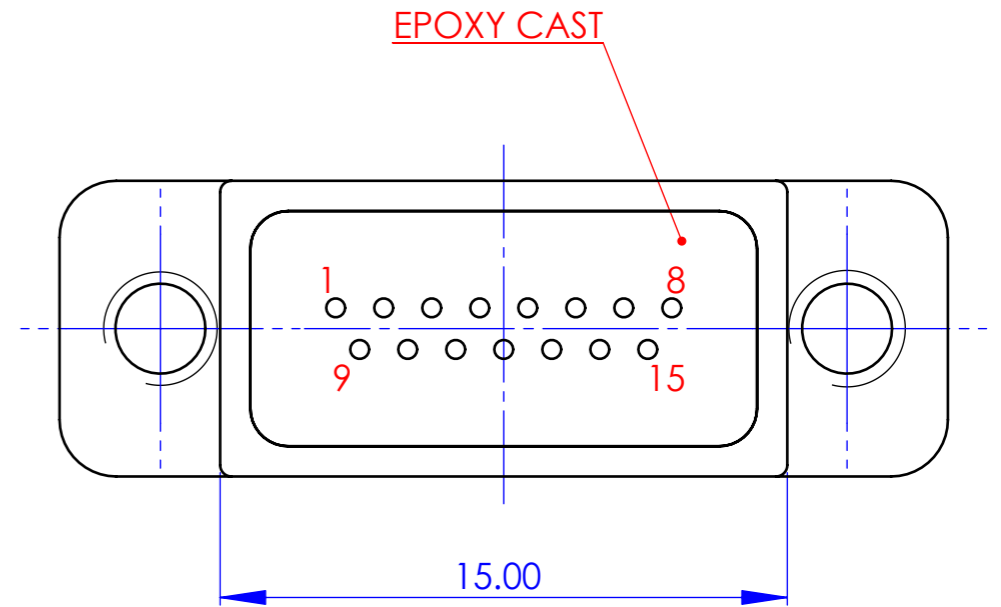
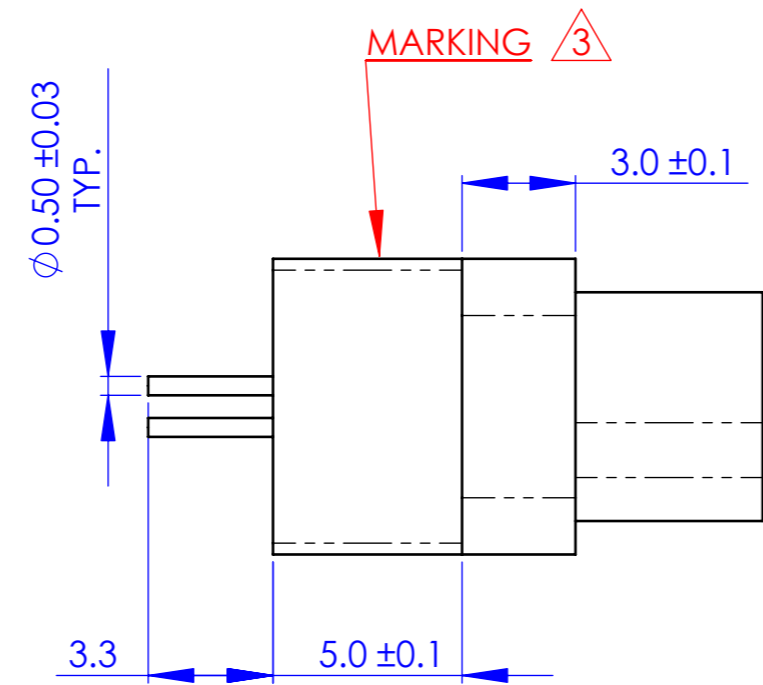
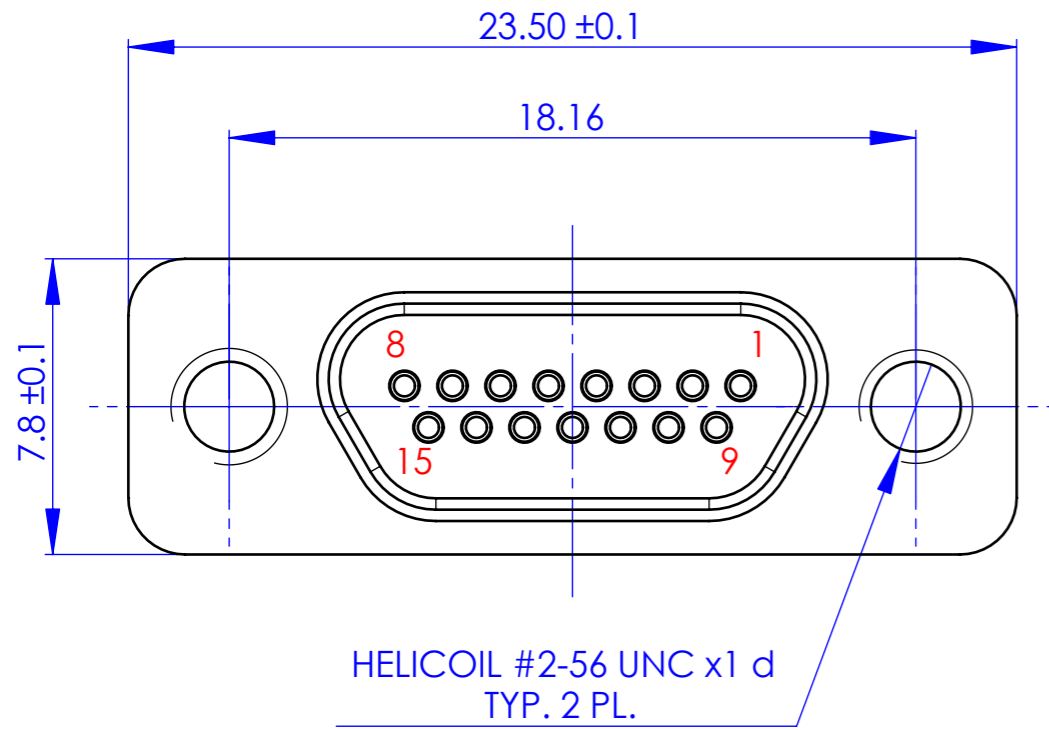


REV.	CHANGE ORDER No.	CHANGES	DATE	APPROVAL
0				



- NOTES:**
- CONNECTOR BASED ON MIL-DTL-83513
 - ELOP P/N: 1440-3048-16
 - MARKING: MANUFACTURER, MANUFACTURER P/N, DATE CODE
 - ALL DIMENSIONS FOR REFERENCE ONLY

DRAFT

NAME	POSITION	DATE	THIS DOCUMENT CONTAINS PROPRIETARY INFORMATION OF RF IMMUNITY LTD. AND MAY NOT BE REPRODUCED, COPIED, DISCLOSED OR UTILIZED IN ANY WAY IN WHOLE OR IN PART, WITHOUT THE PRIOR WRITTEN CONSENT OF RF IMMUNITY LTD.	PROJECT
YURI ZARHIN	MECHANIC. DESIGN	06/11/08		
YURI ZARHIN	DRAWING	06/11/08		
EYAL RONEN	ELECTR. DESIGN	06/11/08		
REGINA YOFFE	PA.	06/11/08		
NIR NISSIM	APPROVAL	06/11/08		
NEXT ASSY.	SURF. FINISH		DO NOT MEASURE ON DWG. BREAK SHARP CORNERS. ALL UNDIMENSIONED RADIUS ARE R=0.2	---
---	N7			
SURFACE TREATMENTS:			MATERIAL	
---			---	
ANGLE PROJECTION	TOLER.	TITLE:		
	X. ±0.5	CD FOR FILTERED MDM 15		
	X.X ±0.2	RECEPTACLE (SOCKET) CONNECTOR		
	X.XX ±0.05	SIZE	DRAWING NO.	REV.
SCALE N.A.	ANGLES ±30'	A3	AU001117	0
DIM. IN MM	Sheet 1 OF 2			
RF Immunity Ltd.				

ENVIRONMENTAL CONDITIONS:

DESCRIPTION		PARAGRAPH PER STANDARD			
		ISO2100	ISO7137	MIL-STD. -1344	MIL-STD. -202
TEMPERATURE	-55 °C TO 125 °C, OPERATING AND STORAGE.				
ALTITUDE	UP TO 70000 ft.	18a	4		
SALT SPRAY		22		1001.1	
HUMIDITY	UP TO 100% R.H. @ STORAGE TEMP RANGE.	18b		1002.2	
SAND AND DUST CLIMATIC		23	12		103, 106
MECHANICAL SHOCK	100g. X 6ms. HALF SINE.		7	2004.1	213
VIBRATION (RANDOM)	UP TO 40g. RMS, 20 TO 2000 Hz.	12		2005.1	201,204,214.
VIBRATION (SINE)	UP TO 15g. ptp, 20 TO 2000 Hz.	12		2005.1	201,204,214.

MATERIALS AND FINISHES:

SHELL => ALUMINIUM ALLOY, CADMIUM PLATED OVER NICKEL
 CONTACTS => BERYLLIUM COPPER ALLOY, GOLD PLATED OVER NICKEL
 POTTING => EPOXY CAST

Electrical Characteristics:

Working Voltage 100V_{DC}
 Dielectric Withstanding Voltage 250V_{DC}
 Insulation Resistance 5GΩ
 Contact Current Rating 3A_{DC}

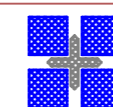
Table 1: Minimum Insertion Loss Measured per MIL-STD-220A; 50Ω System; No Load

Contact Number	Cap. ±20%	Filter Type	Minimum Insertion Loss [dB] Vs. Frequency [MHz]			
			10	15	30	50
All contacts	10nF	C	18	20	25	30

REV.	CHANGE ORDER No.	CHANGES	DATE	APPROVAL
0				

DRAFT

NAME	POSITION	DATE	THIS DOCUMENT CONTAINS PROPRIETARY INFORMATION OF RF IMMUNITY LTD. AND MAY NOT BE REPRODUCED, COPIED, DISCLOSED OR UTILIZED IN ANY WAY IN WHOLE OR IN PART, WITHOUT THE PRIOR WRITTEN CONSENT OF RF IMMUNITY LTD.	
YURI ZARHIN	MECHANIC. DESIGN	06/11/08		
YURI ZARHIN	DRAWING	06/11/08		
EYAL RONEN	ELECTR. DESIGN	06/11/08		
REGINA YOFFE	PA.	06/11/08		
NIR NISSIM	APPROVAL	06/11/08	DO NOT MEASURE ON DWG. BREAK SHARP CORNERS. ALL UNDIMENSIONED RADIUS ARE R=0.2	PROJECT
NEXT ASSY.	SURF. FINISH			
---	N7			---
SURFACE TREATMENTS:			MATERIAL	
----			----	
ANGLE PROJECTION	TOLER.	TITLE:		
	X. ±0.5	CD FOR FILTERED MDM 15		
	X.X ±0.2	RECEPTACLE (SOCKET) CONNECTOR		
	X.XX ±0.05			
SCALE N.A.	ANGLES ±30'	SIZE	DRAWING NO.	REV.
DIM. IN MM	Sheet 2 OF 2	A3	AU001117	0



RF Immunity Ltd.