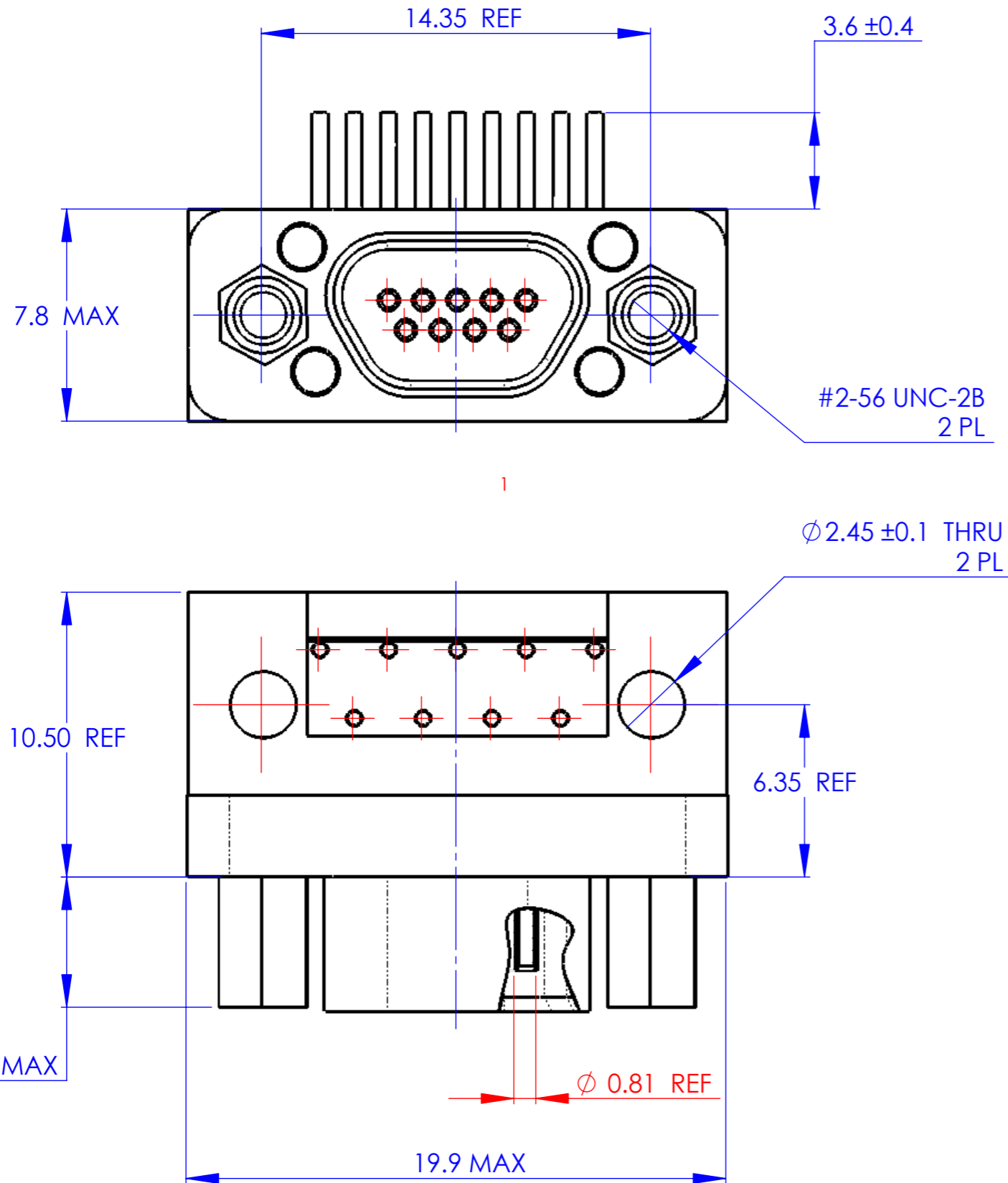
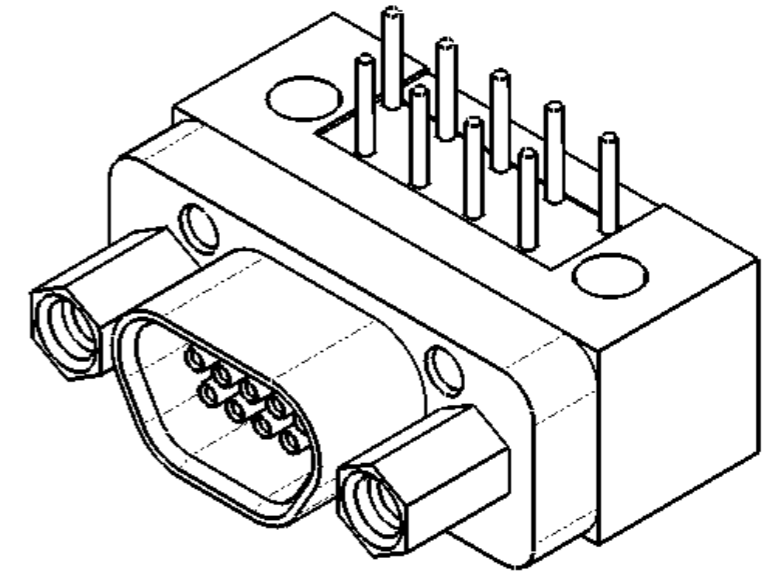


REV.	CHANGE ORDER No.	CHANGES	DATE	APPROVAL
X	XXXX	XXXXX	XXXXX	XXXXX

**NOTES:**

1. THE SHOWN CONNECTOR BASED ON ITT P/N. MDM-15SBRP
2. MATING INTERFACE AND PCB TERMINATION CONFIGURATION ACC. MIL-DTL-83513/13C
3. SPEC. OF MATERIALS AND FINISH TREATMENTS - SEE SHEET 2



**DRAFT DWG.**

NAME SIGNATURE	DATE		THIS DOCUMENT CONTAINS PROPRIETARY INFORMATION OF RF IMMUNITY LTD. AND MAY NOT BE REPRODUCED, COPIED, DISCLOSED OR UTILIZED IN ANY WAY IN WHOLE OR IN PART, WITHOUT THE PRIOR WRITTEN CONSENT OF RF IMMUNITY LTD.	
YEHUDA SARAGOSSI	04.02.09	DRAFT		
NIR NISSIM	08.02.09	CHECK		
YEHUDA SARAGOSSI	04.02.09	DESIGN		
REGINA YOFFE	08.02.09	PA.		
NIR NISSIM	08.02.09	APPR.		
NEXT ASSY.	SURF. FINISH		DO NOT MEASURE ON DWG. BREAK SHARP CORNERS. ALL UNDIMENSIONED RADIUS ARE R=0.5	PROJECT
XXXXX				XX
SURFACE TREATMENTS:			MATERIAL	
-			-	
ANGLE PROJECTION	TOLER.	TITLE		
	X. ±0.5	MDM 9 SOCKET CONTACTS FILTERED CONNECTOR		
	X.X ±0.2			
	X.XX ±0.05			
SCALE	ANGLES ±30'	SIZE	DRAWING NO.	REV.
N.A.		A3	AU001126	1
DIM. IN	SHEET OF			
MM	1 OF 2			

REV.	CHANGE ORDER No.	CHANGES	DATE	APPROVAL
X	XXXX	XXXXX	XXXXX	XXXXX

**ENVIRONMENT CONDITIONS:**

	Order Code A Comercial	Order Code B Meets MIL-C-24308
Operating Temp.	-40÷105 °C	-55÷105 °C
Non-Operating Temp.	-55÷105 °C	-55÷105 °C
Humidity	Up to 100%	Up to 100%
Low Pressure	N/A	40,000 ft
Shock	40g x 6 msec.	40g x 6 msec.
Vibration	20g RMS, 20-2000 Hz	20g RMS, 20-2000 Hz
Endurance	200 Cycles	>500 Cycles

**Electrical Characteristics:**

I = 5A  
W.V = 50V<sub>DC</sub> Line to CGND (Connector Shell)  
D.W.V. = 125V<sub>DC</sub> Line to CGND (Connector Shell)  
Typical Capacitance = Per Table 1 ±20%  
IR = 5G Ω or 500 ΩF (Whichever is smaller)  
Attenuation (Per Table 1) Measured Per MIL-STD-220A; 50Ω System, No Load

**Table 1:**

Contact No.	Cap.	Filter Type	f <sub>co</sub> (Typical)	Minimum Attenuation [dB] Vs. Frequency [MHz]								
				1	5	10	30	50	100	300	500	1G
All	2.4nF	Pi	2.85	0	2	5	15	24	40	54	48	44

**MATERIALS AND FINISH TREATMENTS:**

- SHELL:** ALUMINUM ALLOY 6061-T6511 PER QQ-A-200/8
- SHELL FINISH:** CADMIUM PER QQ-P-416, TYPE II, CLASS 3 OVER ELECTROLESS NICKEL
- CONTACT:** BERYLLIUM COPPER ALLOY 210, ASTM B-36
- CONTACT FINISH:** 50 MICRO-INCH THK. GOLD PER ASTM B-488, TYPE III, CLASS 1.27, GRADE C OVER NICKEL
- HARDWARE:** CORROSION RESISTANCE STAINLESS STEEL PER ASTM-A484 WITH PASSIVATION
- POTTING:** EPOXY, COLOR BLACK

**DRAFT DWG.**

NAME SIGNATURE	DATE		THIS DOCUMENT CONTAINS PROPRIETARY INFORMATION OF RF IMMUNITY LTD. AND MAY NOT BE REPRODUCED, COPIED, DISCLOSED OR UTILIZED IN ANY WAY IN WHOLE OR IN PART, WITHOUT THE PRIOR WRITTEN CONSENT OF RF IMMUNITY LTD.	
YEHUDA SARAGOSSI	04.02.09	DRAFT		
NIR NISSIM	08.02.09	CHECK		
YEHUDA SARAGOSSI	04.02.09	DESIGN		
REGINA YOFFE	08.02.09	PA.		
NIR NISSIM	08.02.09	APPR.		
NEXT ASSY. XXXXX	SURF. FINISH		DO NOT MEASURE ON DWG. BREAK SHARP CORNERS. ALL UNDIMENSIONED RADIUS ARE R=0.5	PROJECT XX
SURFACE TREATMENTS: XXXXX			MATERIAL XXXXX	
ANGLE PROJECTION	TOLER.	TITLE		
	X. ±0.5	MDM 9 SOCKET CONTACTS FILTERED CONNECTOR		
	X.X ±0.2			
	X.XX ±0.05			
SCALE N.A.	ANGLES ±30'	SIZE	DRAWING NO.	REV.
DIM. IN MM	SHEET OF 2	A3	AU001126	1