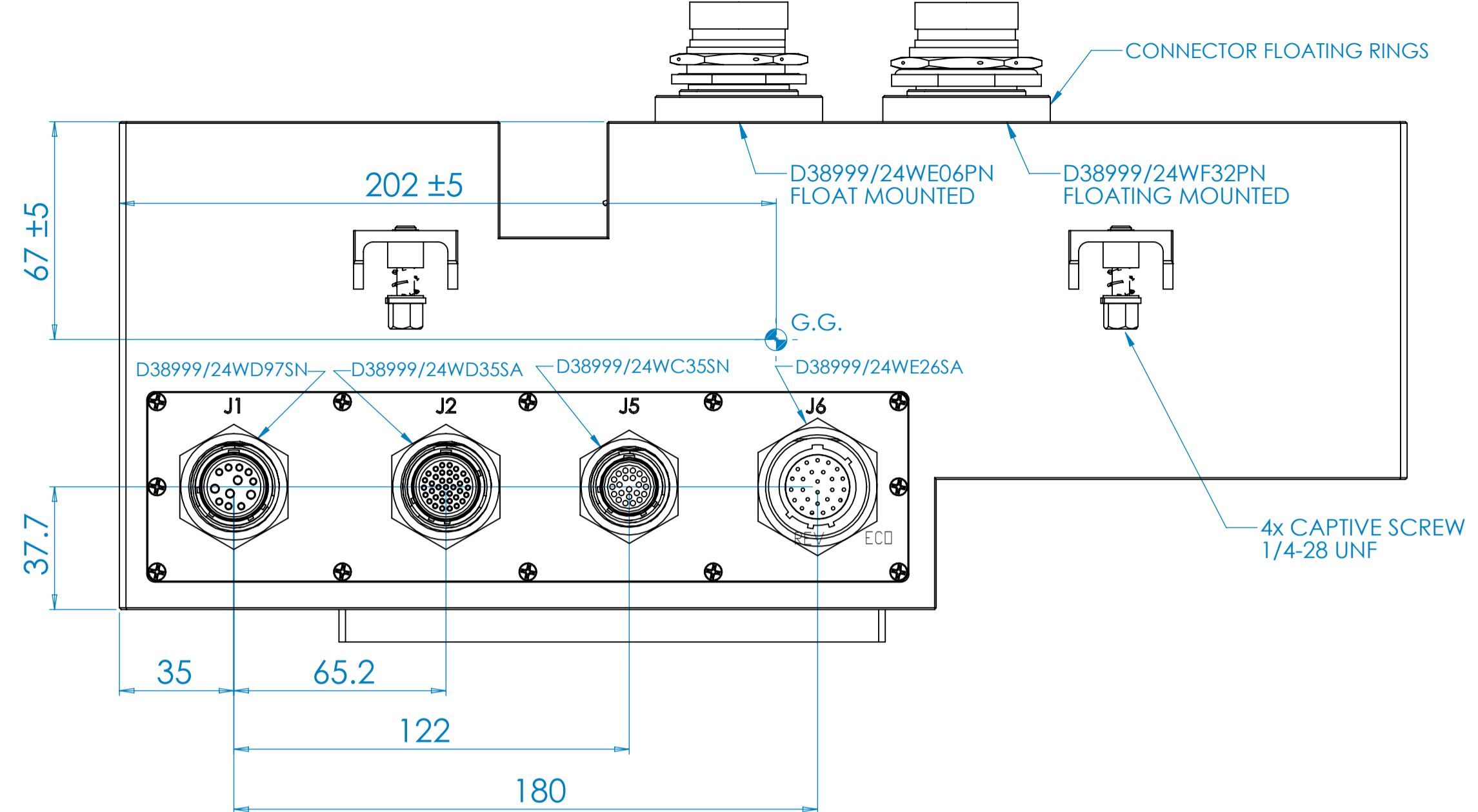
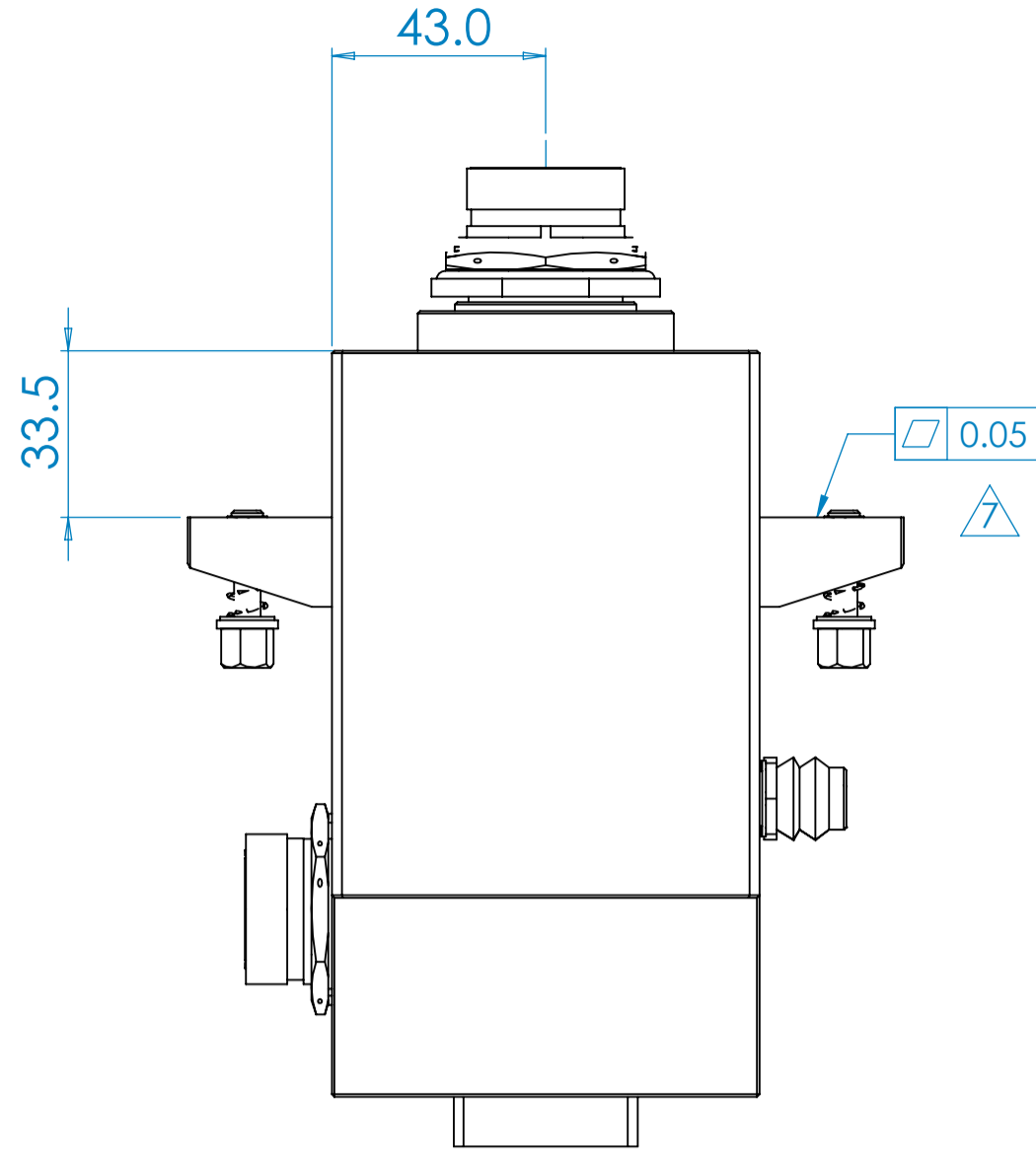
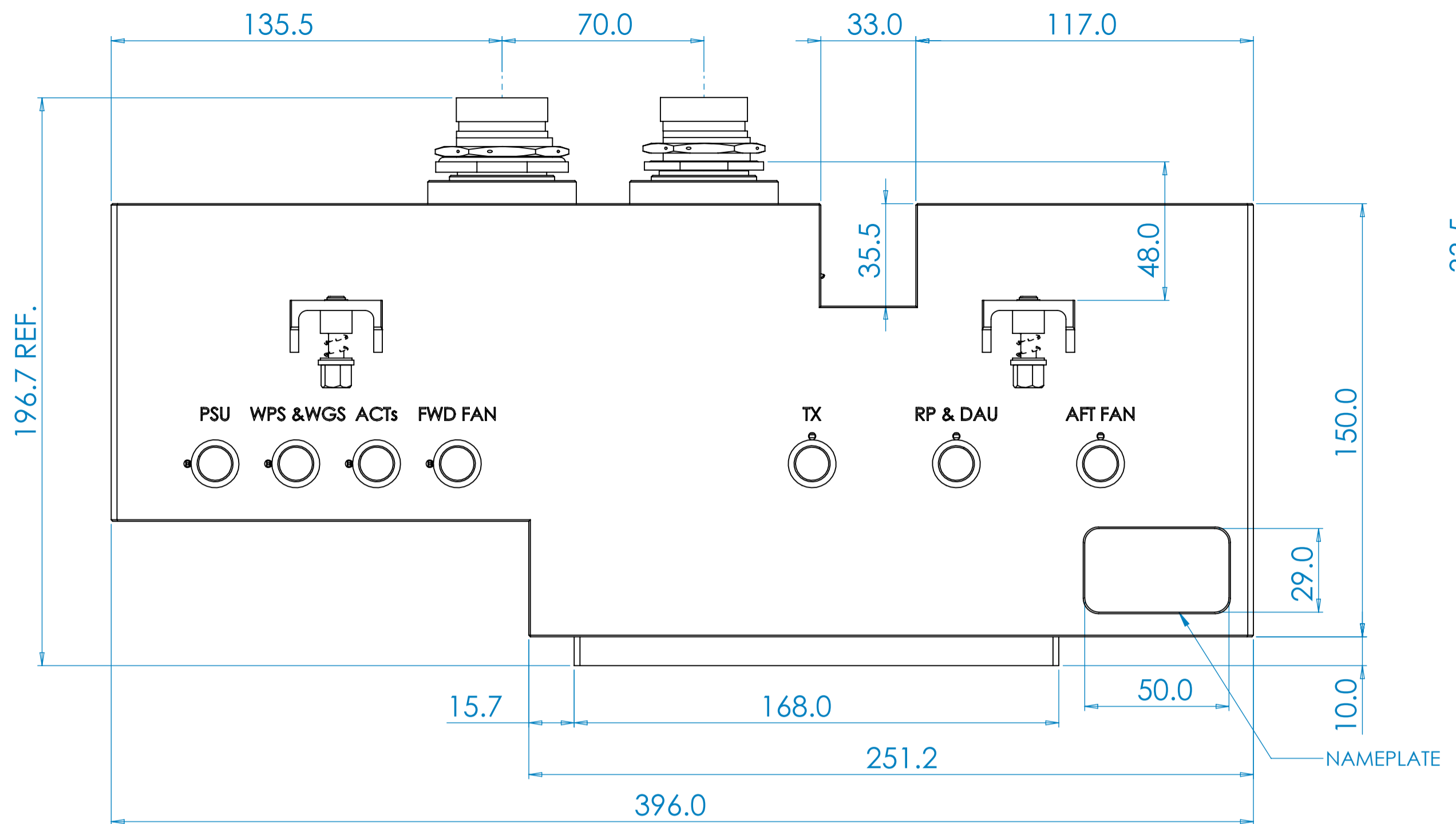


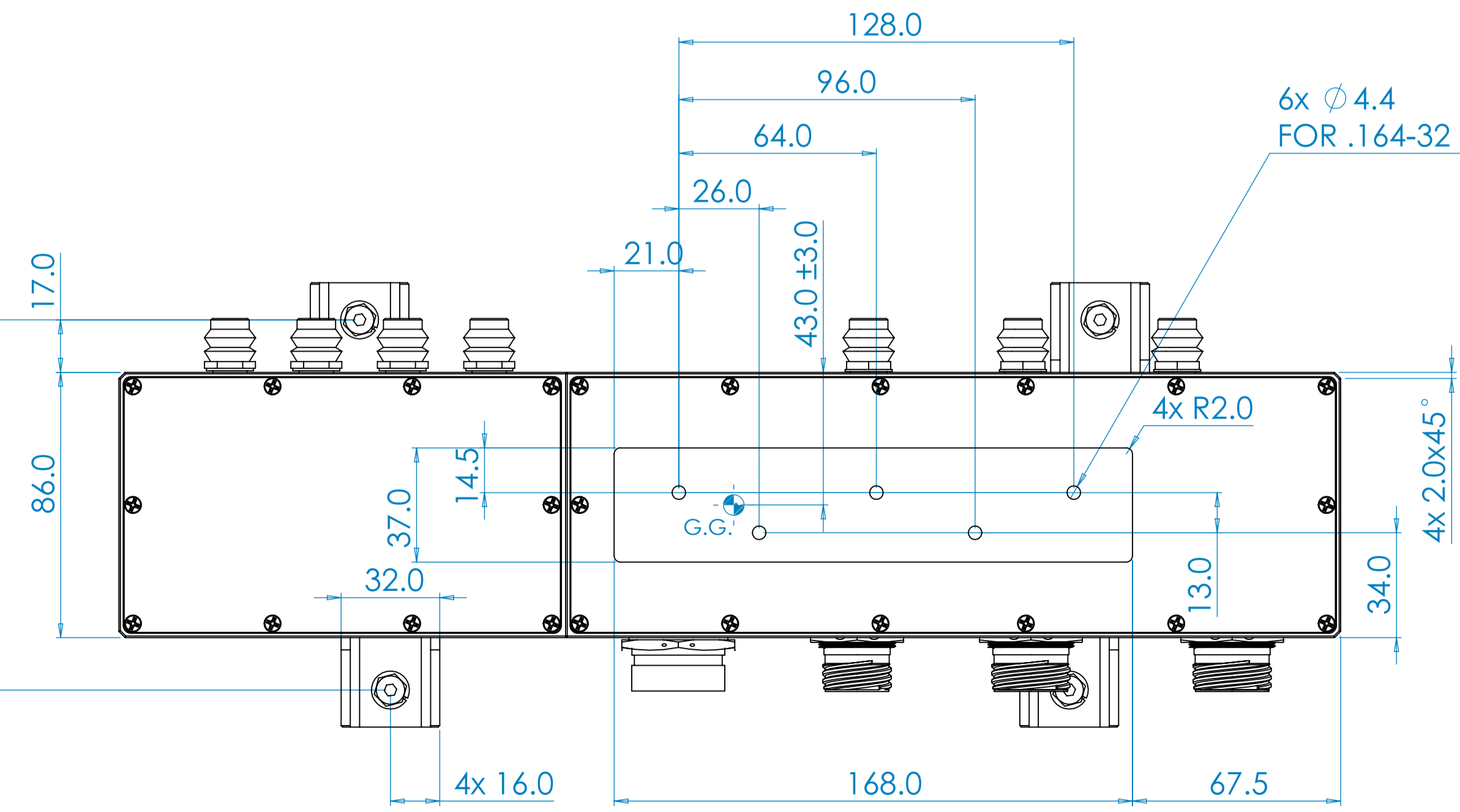
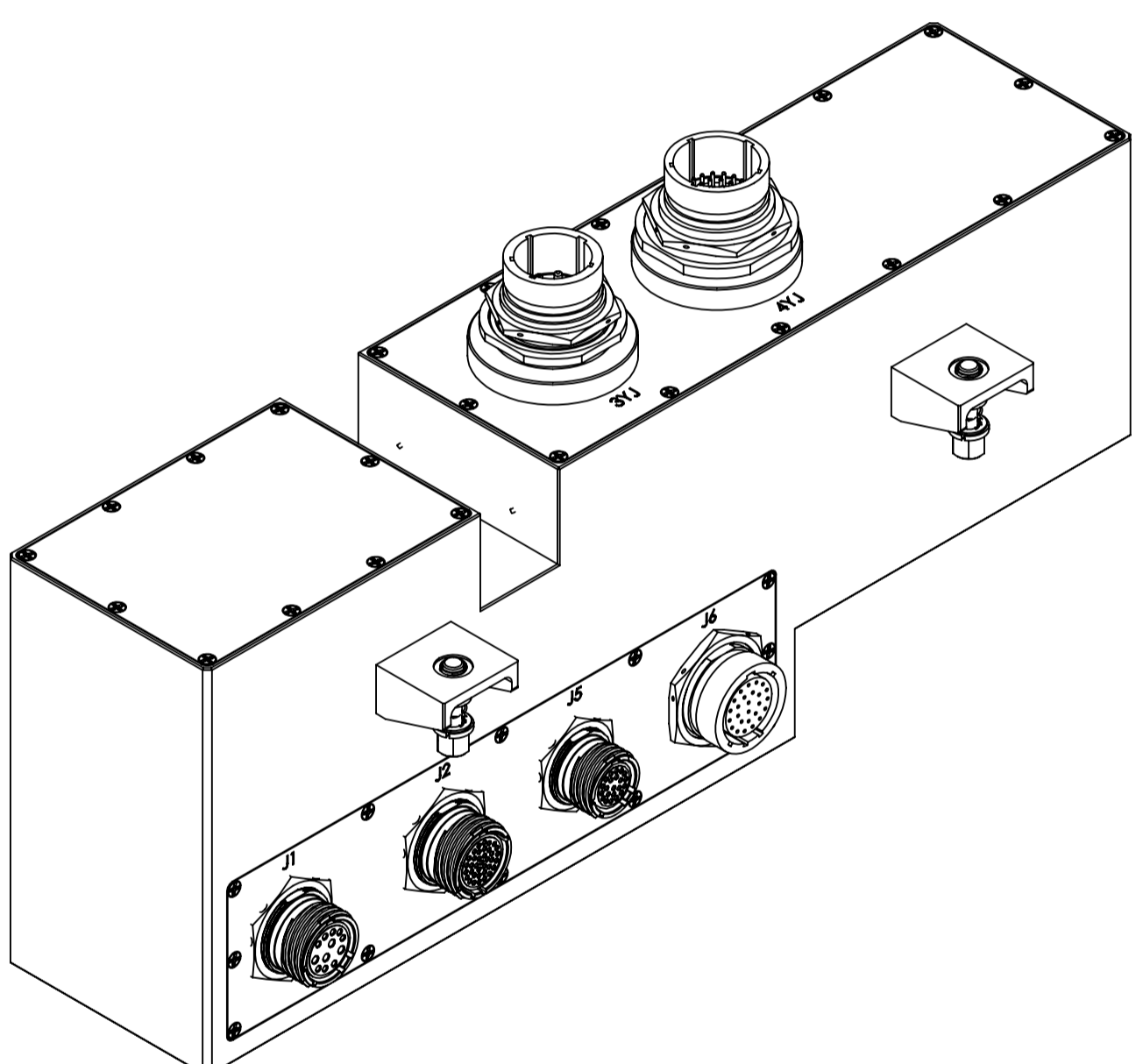
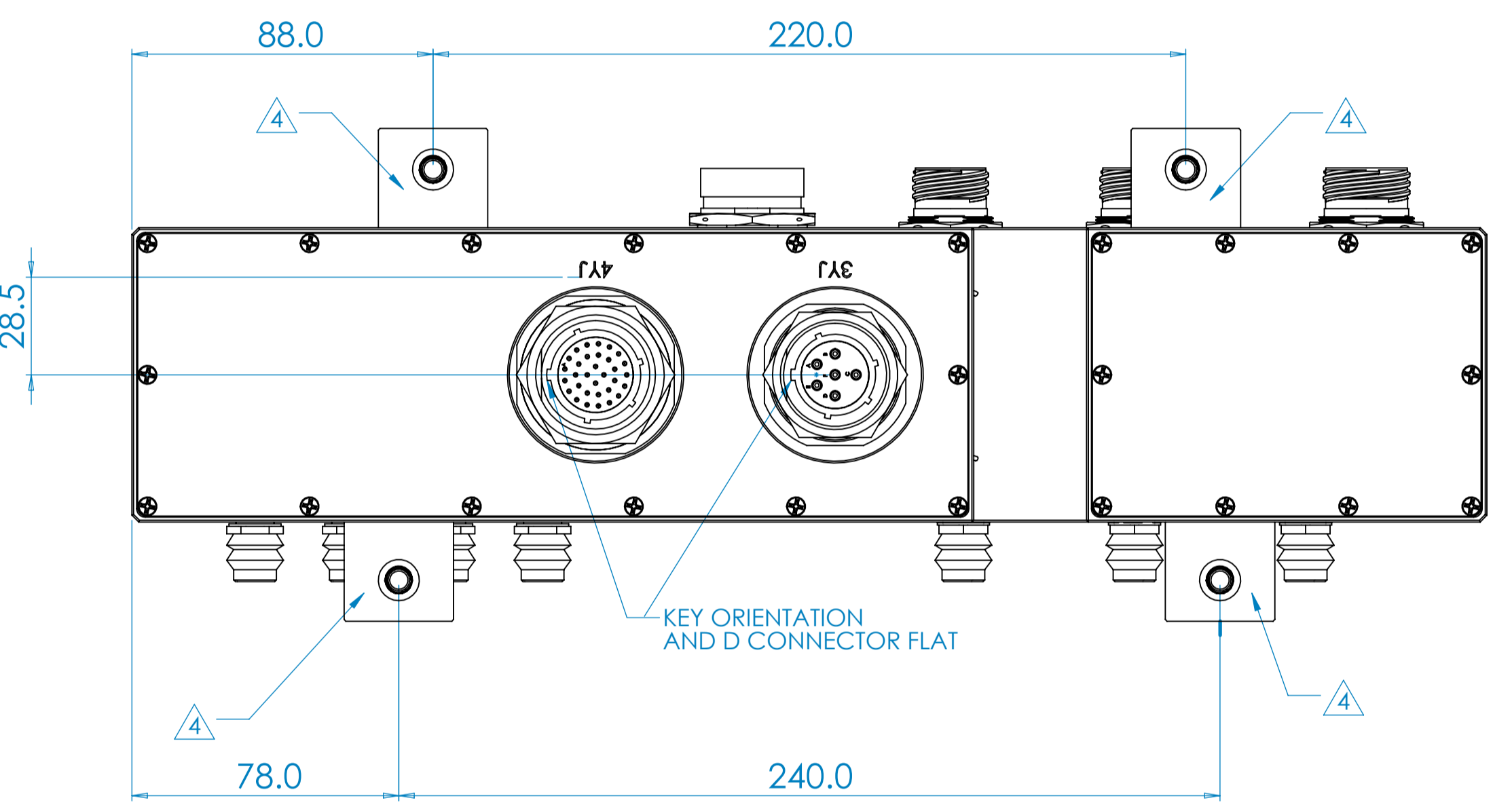
NOT FOR PRODUCTION DRAWING

REVISIONS				
REV	ECD	DESCRIPTION	DATE	APPROVED



The following table summarizes the tests that have been performed in Carmel Environmental Test Laboratories.
RF Immunity performed the functional tests and holds the sole responsibility for the results.

Test Name	Verdict
Temperature Altitude	✓Pass
Low Temperature	✓Pass
Explosive Atmosphere	✓Pass
High Temperature	✓Pass
Random Vibration	✓Pass
Functional Shock	✓Pass
Humidity	✓Pass
Dust	✓Pass
Drip	✓Pass
Acceleration	✓Pass
Salt Fog	✓Pass
Drop	✓Pass
Bench Handling	✓Pass
Acoustic Noise	✓Pass



- NOTES:
- ENGRAVING:
LINE THICKNESS: 0.8 MM
CHARACTER THICKNESS: 0.4 MM
LINE AND CHARACTER DEPTH: 0.5 MM
CHARACTERS ARE CENTRALLY LOCATED
CHARACTER HEIGHT: 4.5 MM
CHEMICAL CONVERSION COATING PER MIL-C-5541E CLASS 1A PAINT:
3.1 PRIMER EPOXY PER MIL-DTL-53022
3.2 TOP COAT: POLYURETHANE PER MIL-PRF-85285 TYP. I, GREY NO.26250 PER FED-STD-595
 - AREAS WITHOUT PAINT:
HOLES
COUNTERSUNK HOLES
INDICATED SURFACES
 - MOUNT CAPTIVE SCREWS AFTER PAINTING
WEIGHT: 6kg ±0.2kg
 - OPPOSITE MOUNTING SURFACES TO BE NOT PAINTED (CONDUCTIVE) AND FLAT WITHIN ±0.05mm

Typical Attenuation (Measured per MIL-STD-220; 50Ω System; No Load):

Lines	Filter Type	fco [kHz]	Attenuation [dB] vs. Frequency [MHz]					
			0.01	0.1	1	10	100	
AC	DM: L1,L2,L3 to N	Pi	35	0	30	50	-	-
	CM: L1,L2,L3,N to GND	Pi	125	0	0	25	50	50
DC	DM: "+" to "-"	Pi	2.5	30	50	50	-	-
	CM: "+" and "-" to GND	Pi	120	-	-	50	50	50

LINEAR DIMENSIONS ANGULAR		ROUGHNESS	CONTRACT NO	 EMI/RFI Connectors, Filter & Power Units	
			-		
FCTN	NAME	SIGN	DATE	TITLE	
PREP	VLADIF.		6/1/17	FILTER BOX ICD	
CHECK	NIR N.		6/1/17	SIZE	CAGE CODE
D.A.	REGINA		6/1/17	A1	DWG NO
APPVL	NIR N.		6/1/17	AU001377	
MATL ENG				SCALE	NTS
GROUP HD				SHEET 1 OF 1	