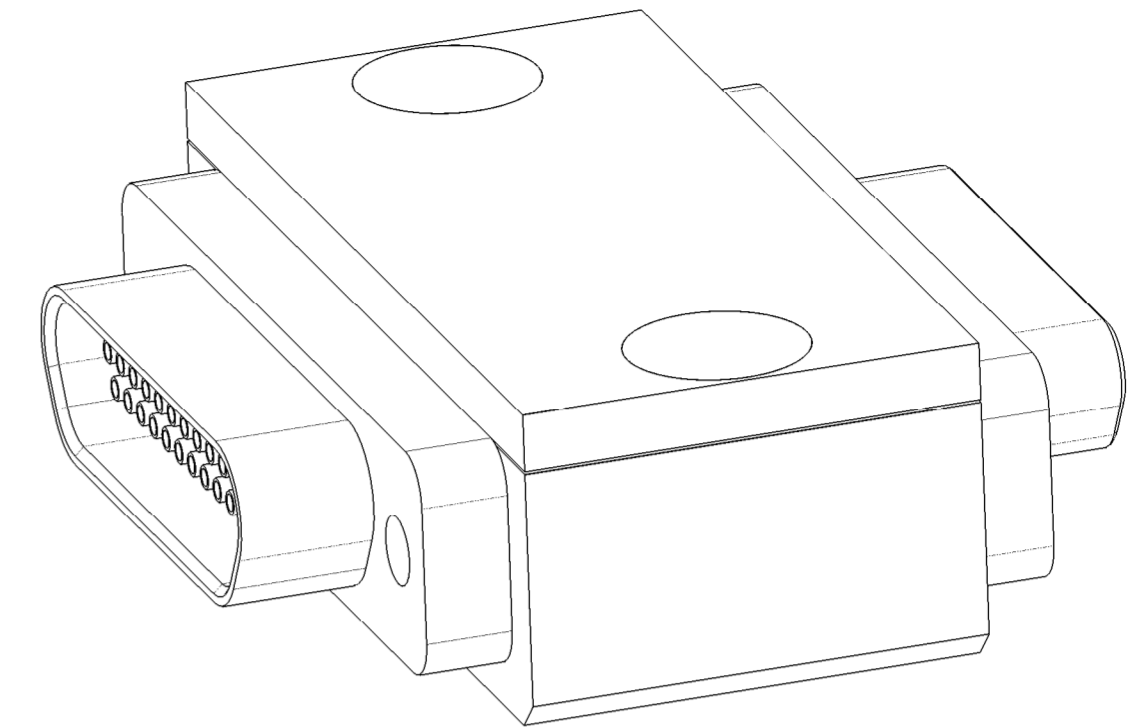
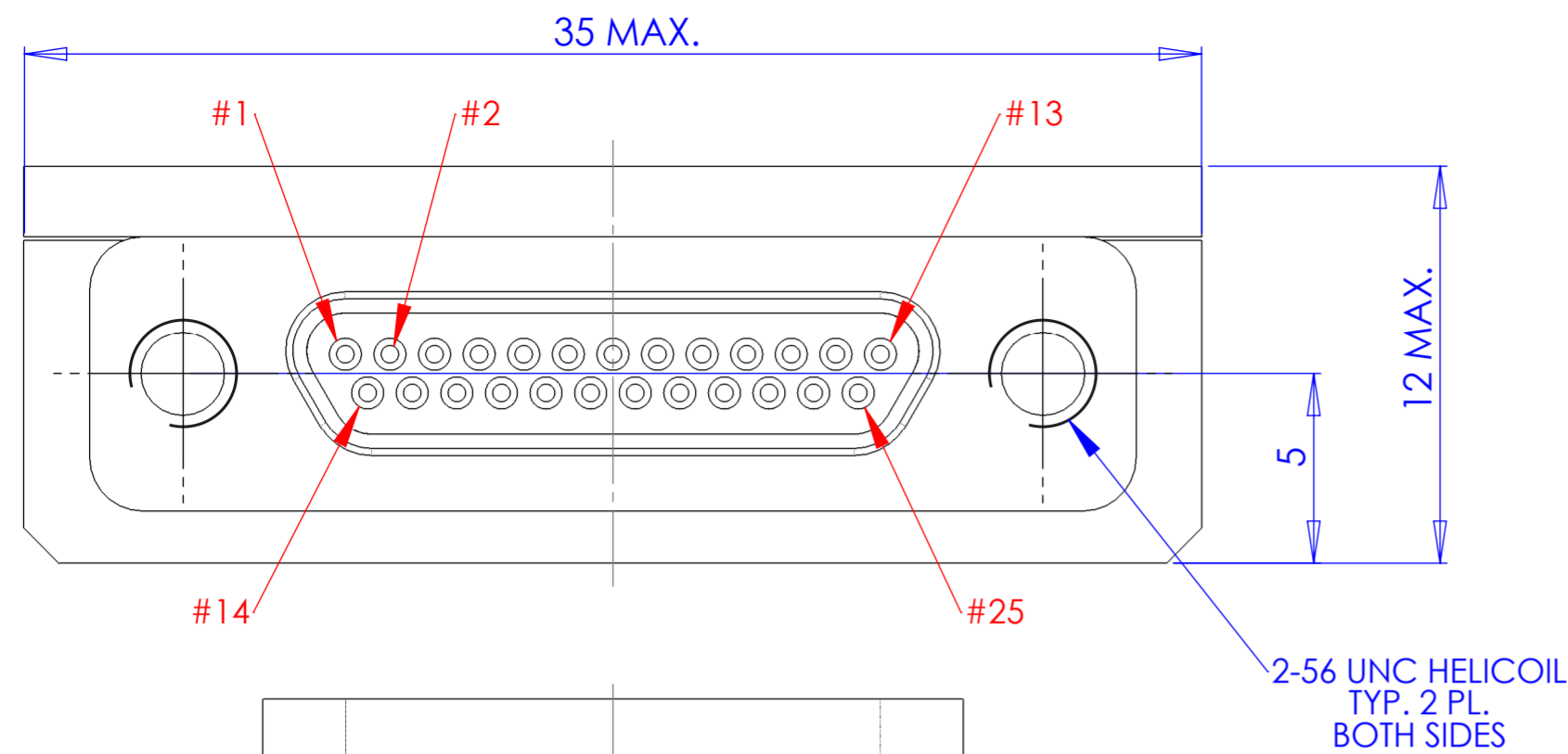


REV.	CHANGE ORDER No.	CHANGES	DATE	APPROVAL



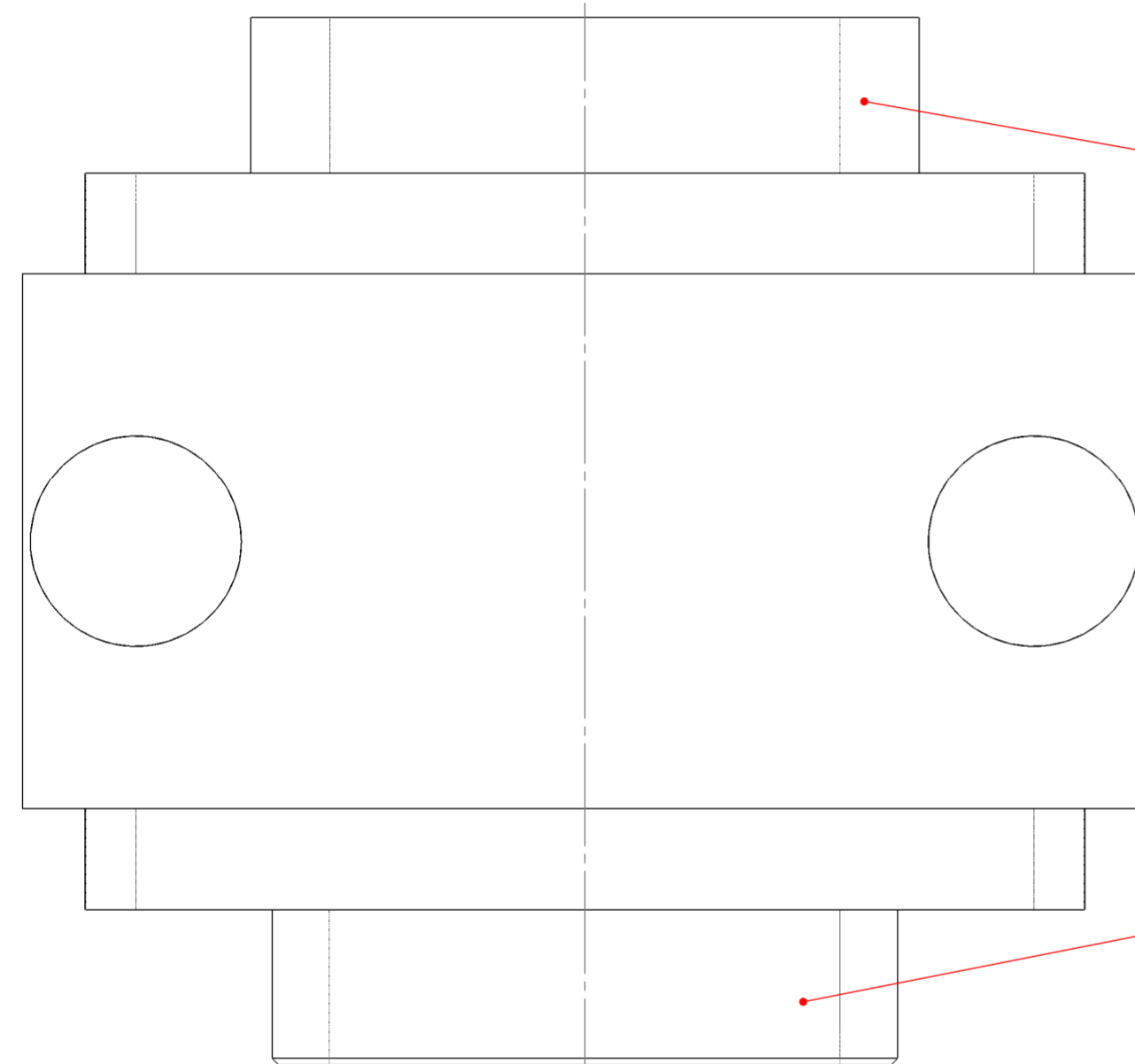
Environmental Characteristics:

DESCRIPTION	VALUE	Paragraph in MIL-STD-1344
Vibration (Random)	Up to 20g RMS 10 to 2,000Hz	2005
Shock	50g X 6ms Sawtooth Pulse	2004
Temperature	See table 1	1003
Humidity	Up to 95% @ Storage Temp. Range	1002
Salt Spray		1001
Contact Endurance	MIN. 2000 mating cycles	

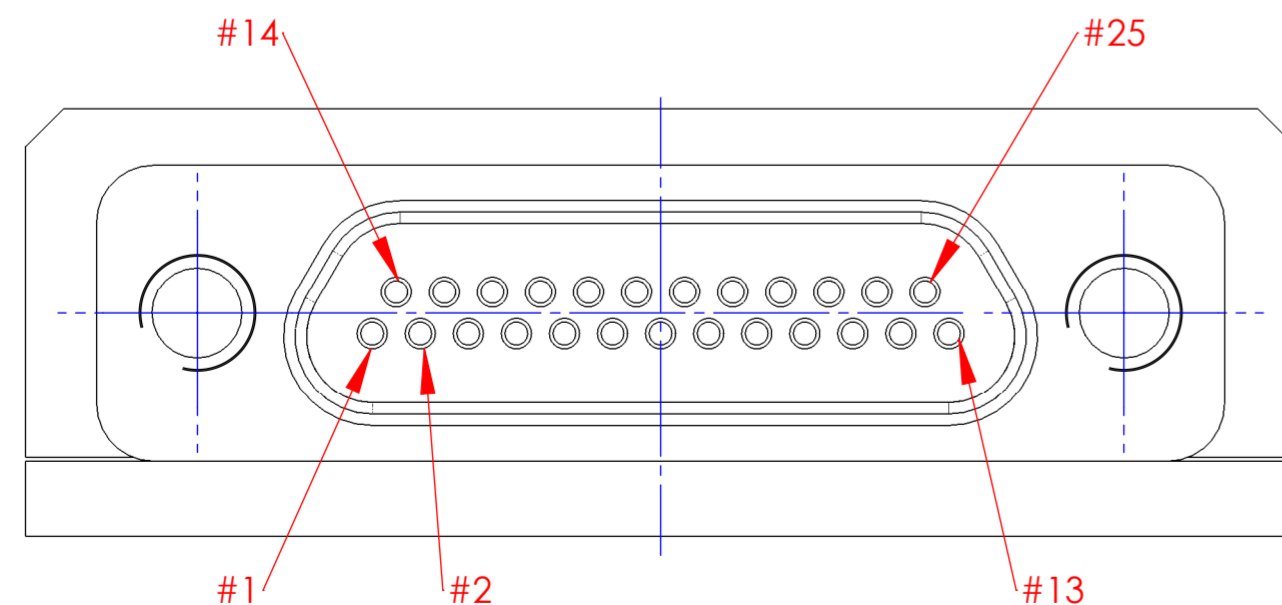
FEMALE CONNECTOR

Materials and Finishes:

Shell	Aluminum Alloy 6061-T6, Yellow Cadmium plated
Insulators	Peek per MIL-P-46183, Type I
Contacts	Copper Alloy, Gold Plated Over Nickel
Potting	Epoxy Cast



MALE CONNECTOR



Filter Electrical Characteristics:

Min. Insulation Resistance - 1GΩ

Typical Attenuation (Measured per MIL-STD-220; 50Ω System; No Load):

Contact	Filter Type	Current Rating [A]	W.V. [Voc]	D.W.V. [Voc]	Cap. ±20%	f _{co} [MHz]	Attenuation [dB] vs. Frequency [MHz]			
							1	10	100	1000
1-3, 14, 15, 17, 19, 22-25	C ²	3	100	250	9.4nF	0.89	1	18	42	30
4-9, 20, 21	C ²	3	100	250	440pF	17.1	0	0	22	30
10-13, 16, 18	C ²	3	100	250	2nF	3.1	0	6	39	31

NOTES:
 1. BASED ON MIL-DTL-83513
 MARKING: MANUFACTURER P/N, DATE CODE

NAME SIGNATURE	DATE		THIS DOCUMENT CONTAINS PROPRIETARY INFORMATION OF RF IMMUNITY LTD. AND MAY NOT BE REPRODUCED, COPIED, DISCLOSED OR UTILIZED IN ANY WAY IN WHOLE OR IN PART, WITHOUT THE PRIOR WRITTEN CONSENT OF RF IMMUNITY LTD.	PROJECT XX
YURI Z.	07.03.18	DRAFT		
NIR NISSIM	07.03.18	CHECK		
YURI Z.	07.03.18	DESIGN		
REGINA YOFFE	07.03.18	PA.		
NIR NISSIM	07.03.18	APPR.	DO NOT MEASURE ON DWG. BREAK SHARP CORNERS. ALL UNDIMENSIONED RADIUS ARE R=0.5	
NEXT ASSY. SURF. FINISH	XXXX	N7	MATERIAL	

ANGLE PROJECTION	GEN. TOLER.	TITLE	DRAWING NO.		REV.
	X. ±0.5 X.X ±0.2 X.XX ±0.05	MICRO D-SUB 25 SOCKET TO PIN FILTER ADAPTOR	A2	AU001403	2
SCALE N.A.	ANGLES ±30'	DRAWING NO.			
DIM. IN INCH	SHEET OF 1 1	DRAWING NO.			

