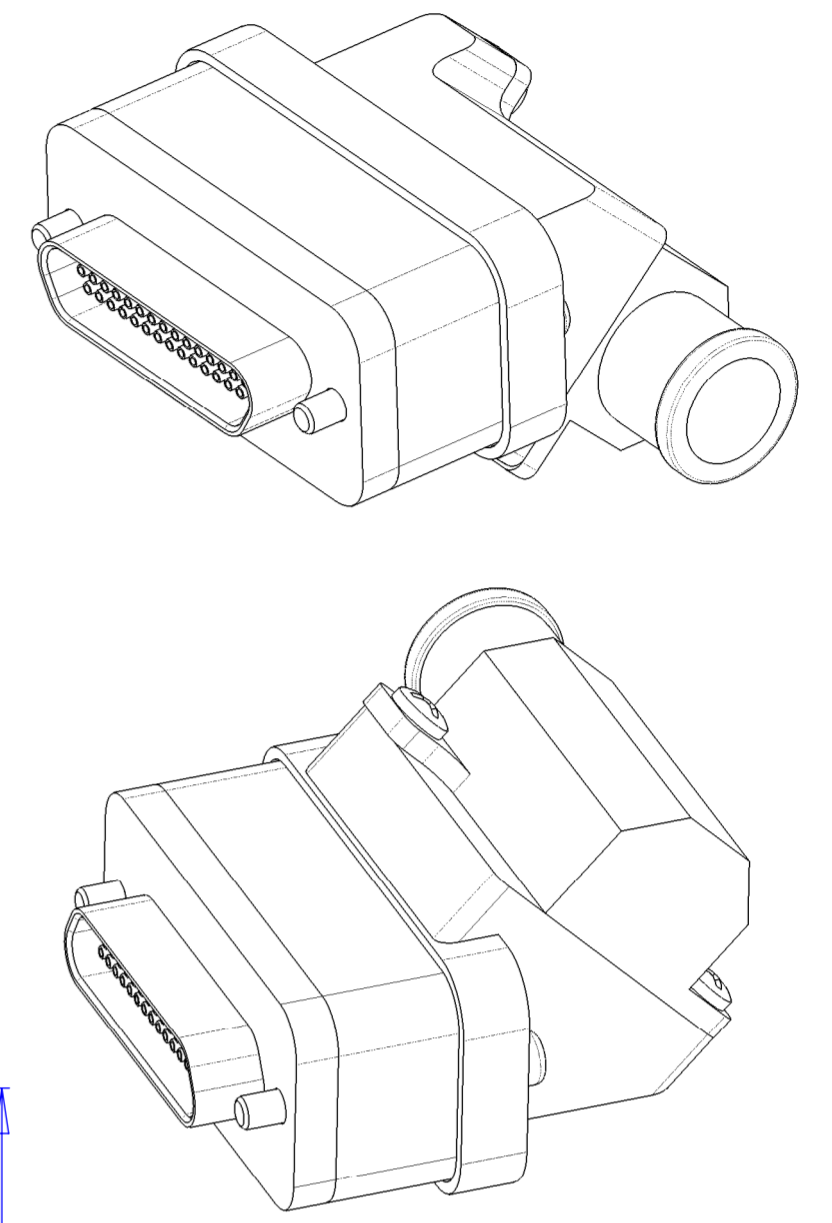
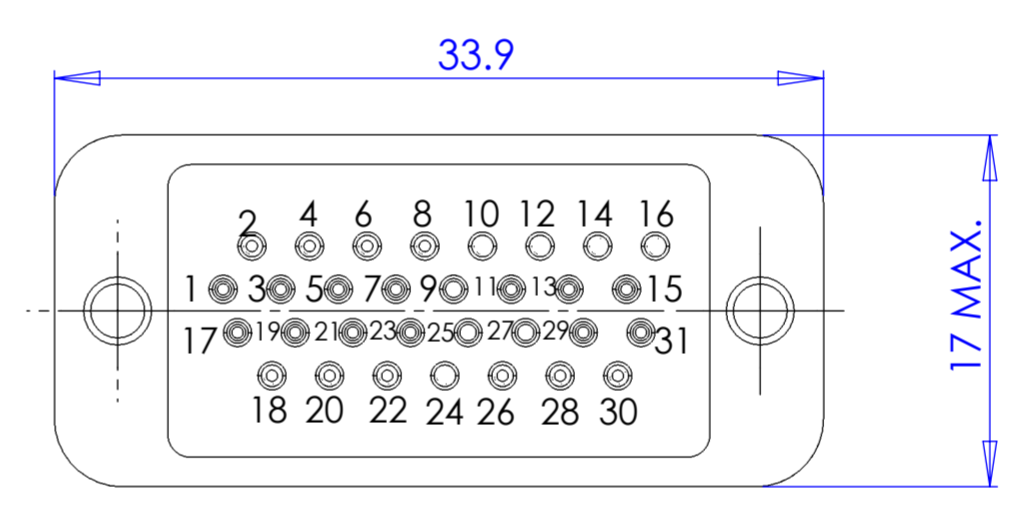
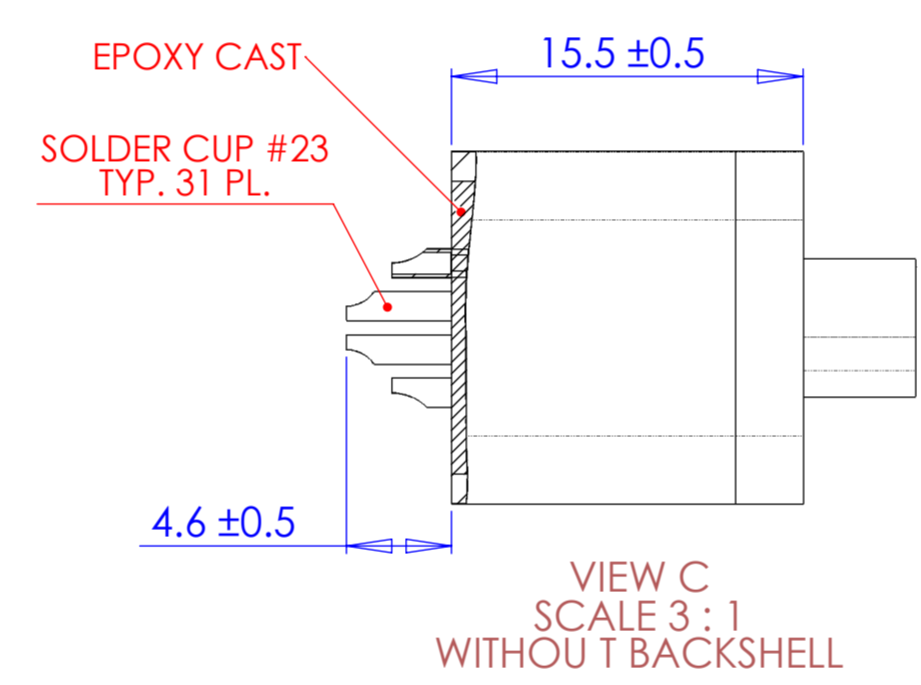
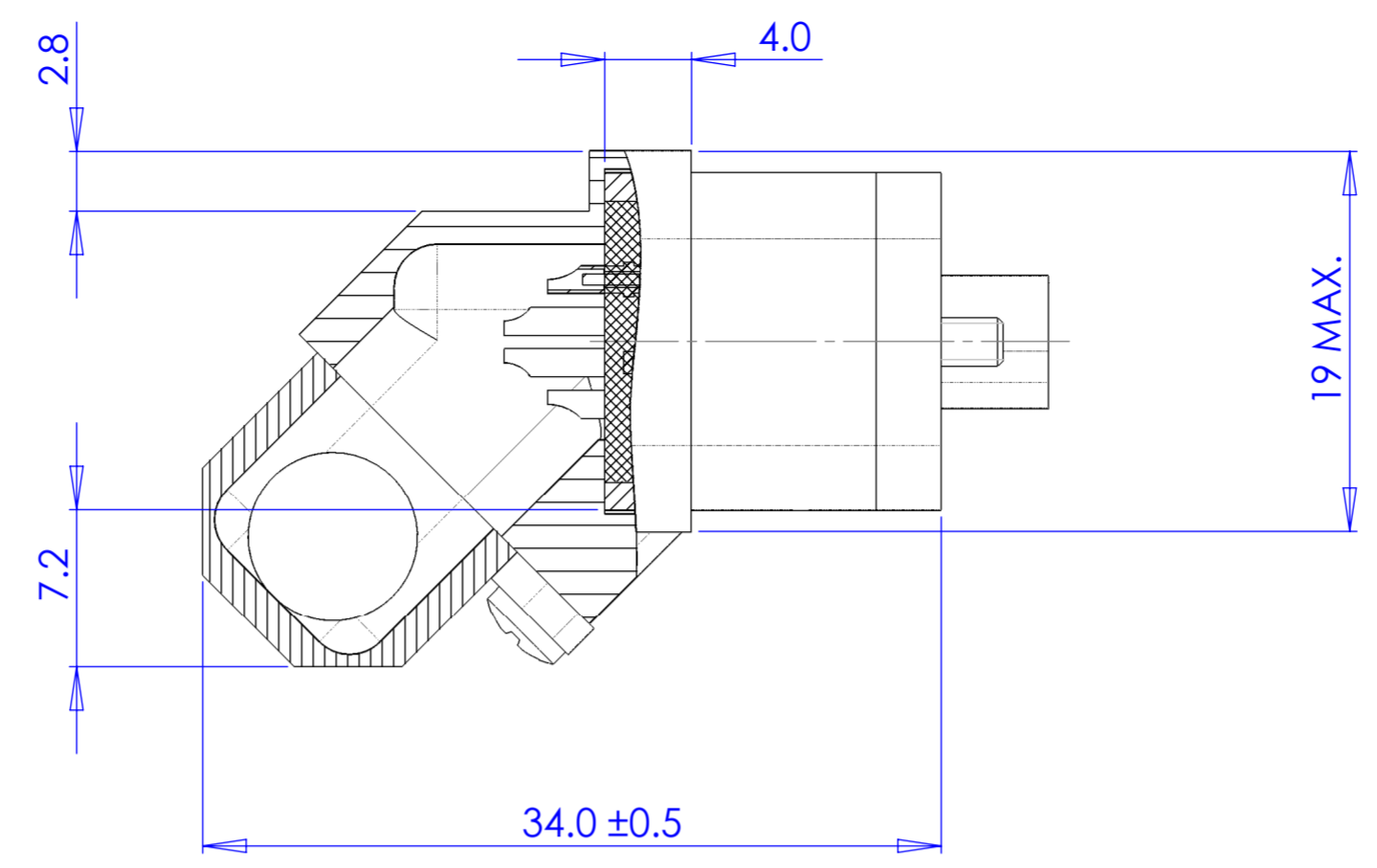
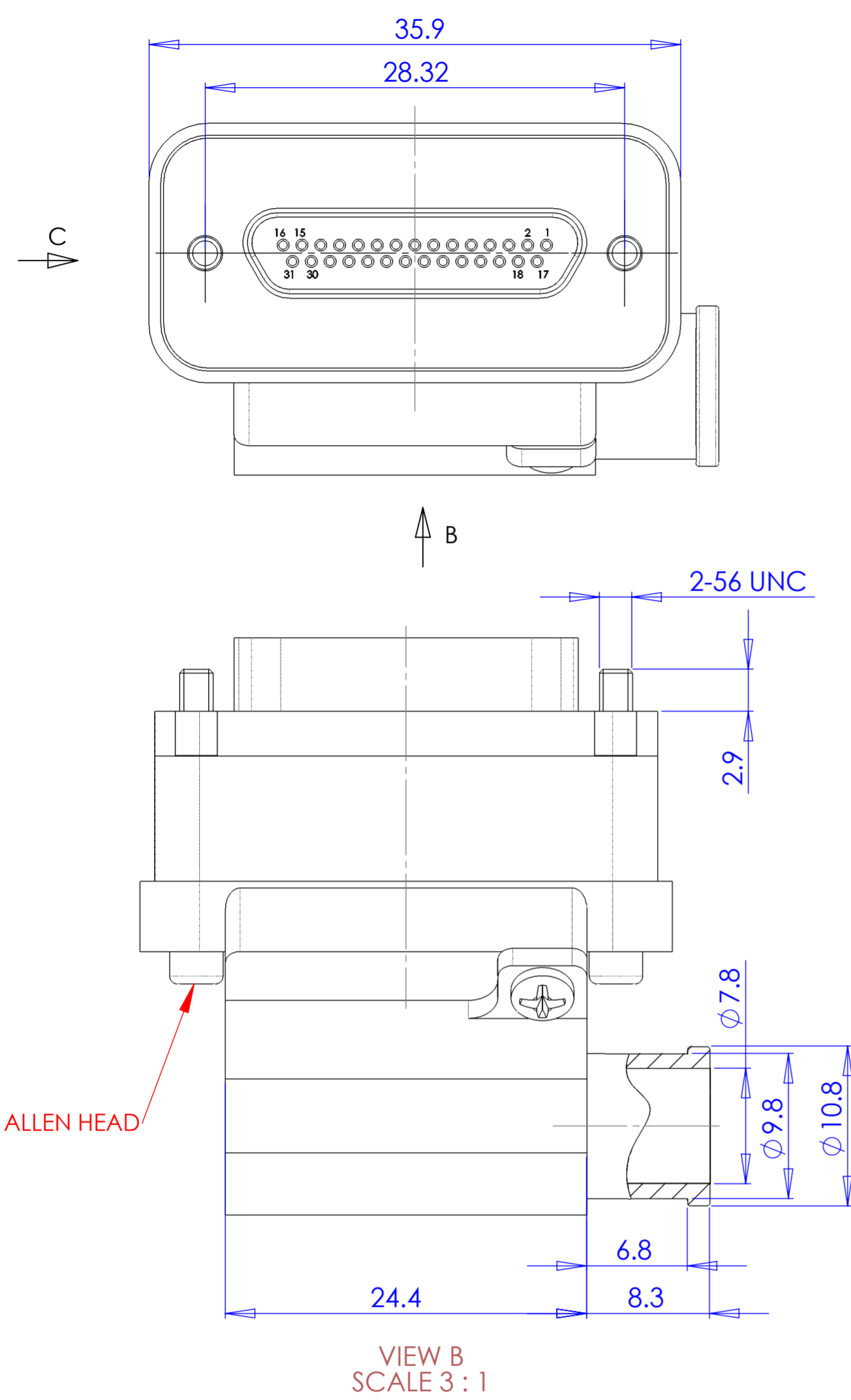


REV.	CHANGE ORDER No.	CHANGES	DATE	APPROVAL



DRAFT

Filter Electrical Characteristics:

Min. Insulation Resistance - 1GΩ
 Typical Attenuation (Measured per MIL-STD-220; 50Ω System; No Load):

Contact	Filter Type	Current Rating [A]	W.V. [Voc]	D.W.V. [Voc]	Cap. ±20%	f _{co} [MHz]	Attenuation [dB] vs. Frequency [MHz]				
							1	10	100	800	1000
1, 2	Pi	3	200	500	240pF	28	0	0	16	47	45
3, 7, 8, 21, 22, 23	Pi	3	200	500	2nF	3.8	0	8	45	43	40
[9-24], [10-25], [12-27], [14-16]	Pi-CMC	1	200	500	44pF	125	0	0	0	40	46
11, 13, 15, 17, 19, 26	Pi	3	200	500	20nF	0.32	7	28	50	45	43
All others	No filter	3	-	-	-	-	-	-	-	-	-

Materials and Finishes:

Shell+Backshell	Aluminum Alloy 6061-T6, Yellow Cadmium plated
Insulator	Peek per MIL-P-46183, Type I
Contacts	Copper Alloy, Gold Plated over Nickel
Solder Cups	Copper Alloy, Tin plated over Nickel
Accessories	Stainless Steel, Passivated
Potting	Epoxy Cast

Environmental Characteristics:

DESCRIPTION	VALUE	Paragraph in MIL-STD-1344
Vibration (Random)	Up to 20g RMS 10 to 2,000Hz	2005
Shock	50g X 6ms Sawtooth Pulse	2004
Temperature	See table 1	1003
Humidity	Up to 95% @ Storage Temp. Range	1002
Salt Spray		1001
Contact Endurance	MIN. 2000 mating cycles	

NOTES:
 1. BASED ON MIL-DTL-83513
 MARKING: MANUFACTURER P/N, DATE CODE

NAME SIGNATURE	DATE		THIS DOCUMENT CONTAINS PROPRIETARY INFORMATION OF RF IMMUNITY LTD. AND MAY NOT BE REPRODUCED, COPIED, DISCLOSED OR UTILIZED IN ANY WAY IN WHOLE OR IN PART, WITHOUT THE PRIOR WRITTEN CONSENT OF RF IMMUNITY LTD.	PROJECT XX
YURI Z.	05.07.18	DRAFT		
NIR NISSIM	05.07.18	CHECK		
YURI Z.	05.07.18	DESIGN		
REGINA YOFFE	05.07.18	PA.		
NIR NISSIM	05.07.18	APPR.	DO NOT MEASURE ON DWG. BREAK SHARP CORNERS. ALL UNDIMENSIONED RADIUS ARE R=0.5	
NEXT ASSY. SURF. FINISH	XXXX	N7	SURFACE TREATMENTS:	MATERIAL
ANGLE PROJECTION	GEN. TOLER.	TITLE	MICRO D-SUB 31 SOCKET TO SOLDER CUP FILTER CONNECTOR	
SCALE N.A.	X. ±0.5 X.X ±0.2 X.XX ±0.05	ANGLES ±30'	SIZE	DRAWING NO.
DIM. IN mm	SHEET OF	1 OF 1	A2	AU001416
				REV. 0

