

REV.	CHANGE ORDER No.	CHANGES	DATE	APPROVAL

**Materials and Finishes:**

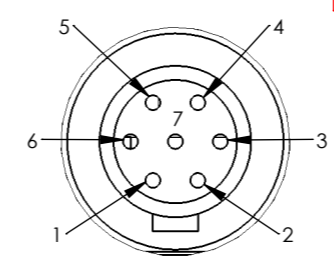
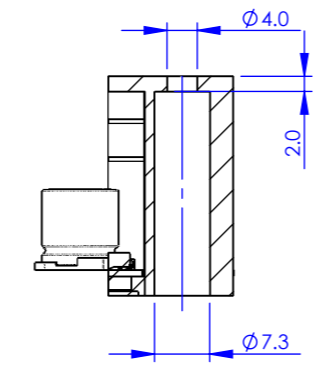
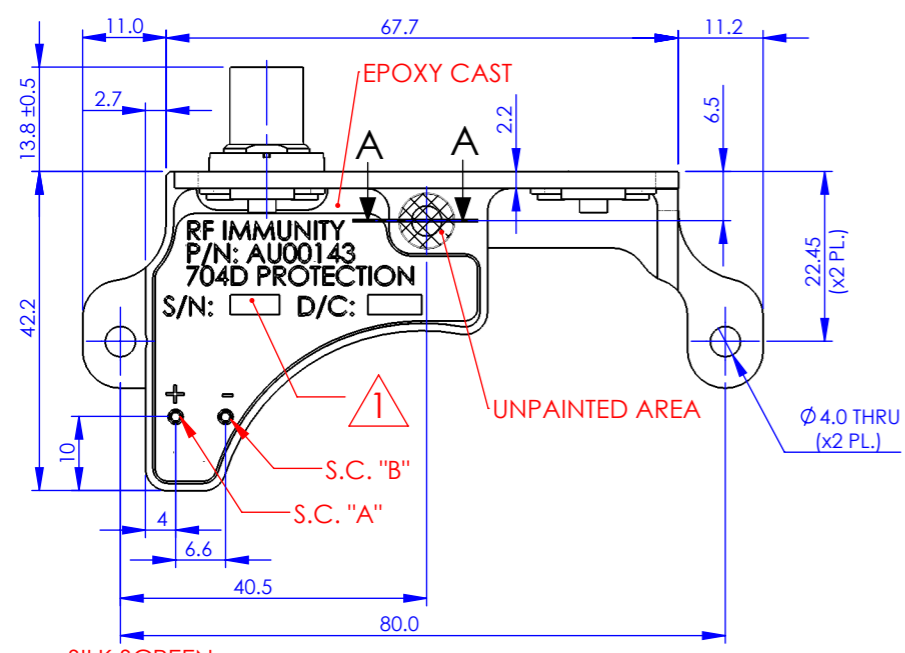
Connector	Aluminum Alloy, Olive Drab over Electroless Nickel plated
Filter Housing	Chemical Conversion IAW MIL-DTL-5541F, Type I, Class 3 Painted all around, except marked areas: a. Primer epoxy, per MIL-PRF-23377, Type I, Class C, 20-30µ b. Top coat Polyurethane per MIL-PRF-85285, Type I, Class H, 40-60µ c. Color: Gray per FED-STD-595B, colour No. 26251
Contacts	Copper Alloy, 1.3 µm MIN. Gold Plated Over Nickel
Solder Cups	Copper Alloy, Tin plated
Potting	a. Adhesive primer epoxy, "TE Connectivity" S1125-KIT b. Potting Epoxy, "Polymer-G" EP140+EPC9

**Environmental Characteristics:**

Description	Value	Paragraph per Standard			
		ISO		MIL-STD	
		2100	7137	1344	202
Vibration (Random)	Up to 40g RMS 20 to 2,000Hz	12		2005.1	201, 204, 214
Vibration (Sine)	Up to 15g PTP 10 to 2,000Hz	12		2005.1	201, 204, 214
Shock	100g X 6ms Half Sine		7	2004.1	213
Climatic					103, 106
Temperature	-46°C to +90°C Operating -55°C to +100°C Storage				
Humidity	Up to 95% @ Storage Temp. Range	18b		1002.2	
Altitude	Up to 70,000ft	18a	4		
Salt Spray	96 hours for metal parts	22		1001.1	101
Sand and Dust		23	12		
Contact Endurance	More than 500 mating cycles	16			

**NOTES:**

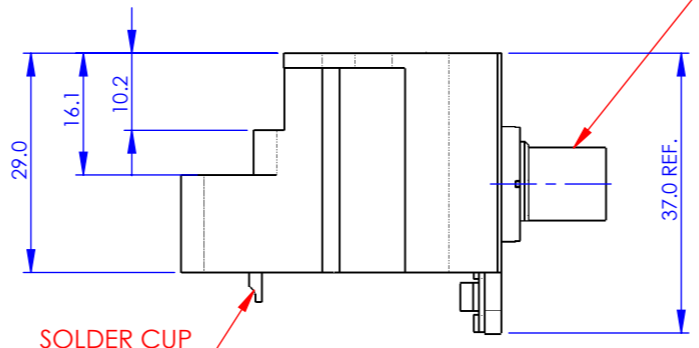
- MARKING: MANUFACTURER P/N, S/N (ongoing), DATE CODE (mm.YY)
- UNSHOWN DIMENSIONS TO BE TAKEN FROM CAD MODEL



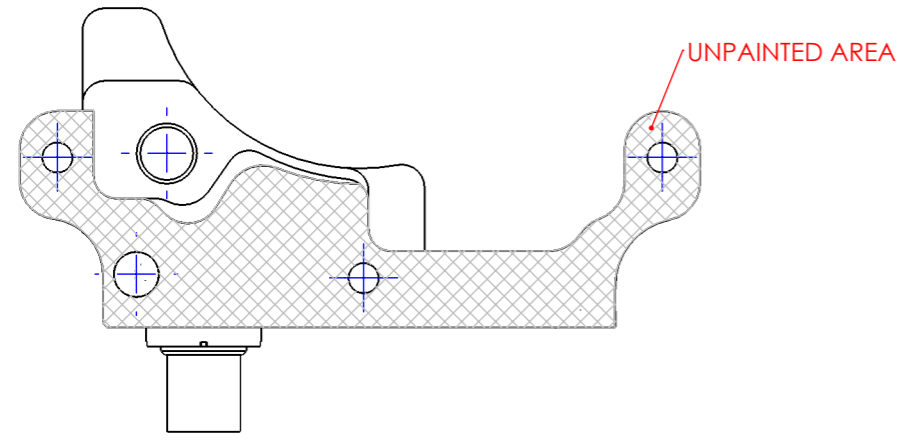
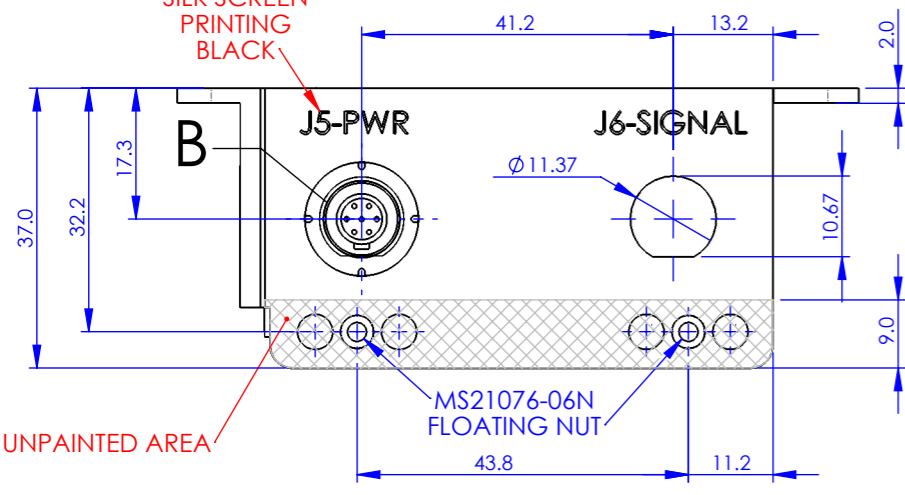
SECTION A-A

DETAIL B  
SCALE 3 : 1

MIGHTY MOUSE CONNECTOR  
P/N: 801-009-07NF67SA  
OR EQUIV.

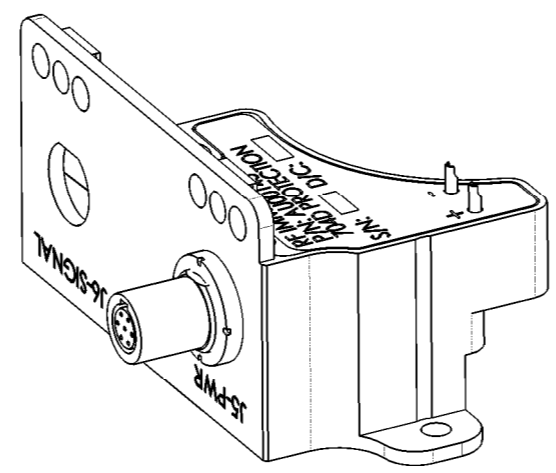


SOLDER CUP  
20-22 AWG.



**Electrical Specifications for protected pins:**

- Input Working Voltage: 12V To 32V
- Input Transient Voltage: +50V@50msec@0.5Ω source impedance per MIL-STD-704D ±600Vpk@10usec per MIL-STD-704D
- Output Working Voltage:  $V_o = V_{in} - V_{dropout}$  (11.5Vmin to 36Vmax)
- Output Transient Working Voltage: 33V To 36V@50msec
- Working Current: 5A max.
- Input to Output Voltage Dropout: 0.5V@5A
- Power Dissipation: 2.5W max@5A
- Transient Power Dissipation: 75W@50msec
- Insulation:
  - Input to Chassis: 1500Vdc@1sec
  - Output to Chassis: 1500Vdc@1sec
- Quiescent Current: 20mA@ Vin=24V
- Reverse Voltage Protection: 0 To (-36V)
- Response Time:  $t_{on} = 25msec @ V_{in} = 0V$  to  $V_{in} = 24V$



**ICD:**

Connector Contacts	Description	Output Solder Cup
1, 2, 3	+28V	A
5, 6, 7	-28V	B
4	N/C	-

NAME	POSITION	DATE	THIS DOCUMENT CONTAINS PROPRIETARY INFORMATION OF RF IMMUNITY LTD. AND MAY NOT BE REPRODUCED, COPIED, DISCLOSED OR UTILIZED IN ANY WAY IN WHOLE OR IN PART, WITHOUT THE PRIOR WRITTEN CONSENT OF RF IMMUNITY LTD.	PROJECT		
YURI ZARHIN	MECHANIC. DESIGN	19.12.18			DO NOT MEASURE ON DWG. BREAK SHARP CORNERS. ALL UNDIMENSIONED RADIUS ARE R=0.2	---
YURI ZARHIN	DRAWING	19.12.18				
LEONID BRUSSER	ELECTR. DESIGN	19.12.18				
REGINA YOFFE	PA.	19.12.18				
NIR NISSIM	APPROVAL	19.12.18				
NEXT ASSY.	SURF. FINISH					
---	N7					

**SURFACE TREATMENTS:**  
-----

ANGLE PROJECTION	TOLER.	TITLE:	CD. MIL-STD-704D PROTECTION UNIT
	X. ±0.5 X.X ±0.2 X.XX ±0.05		
SCALE N.A.	ANGLES ±30'	SIZE	DRAWING NO.
DIM. IN MM	Sheet 1 OF 1	A3	AU001430
			REV. NEW

