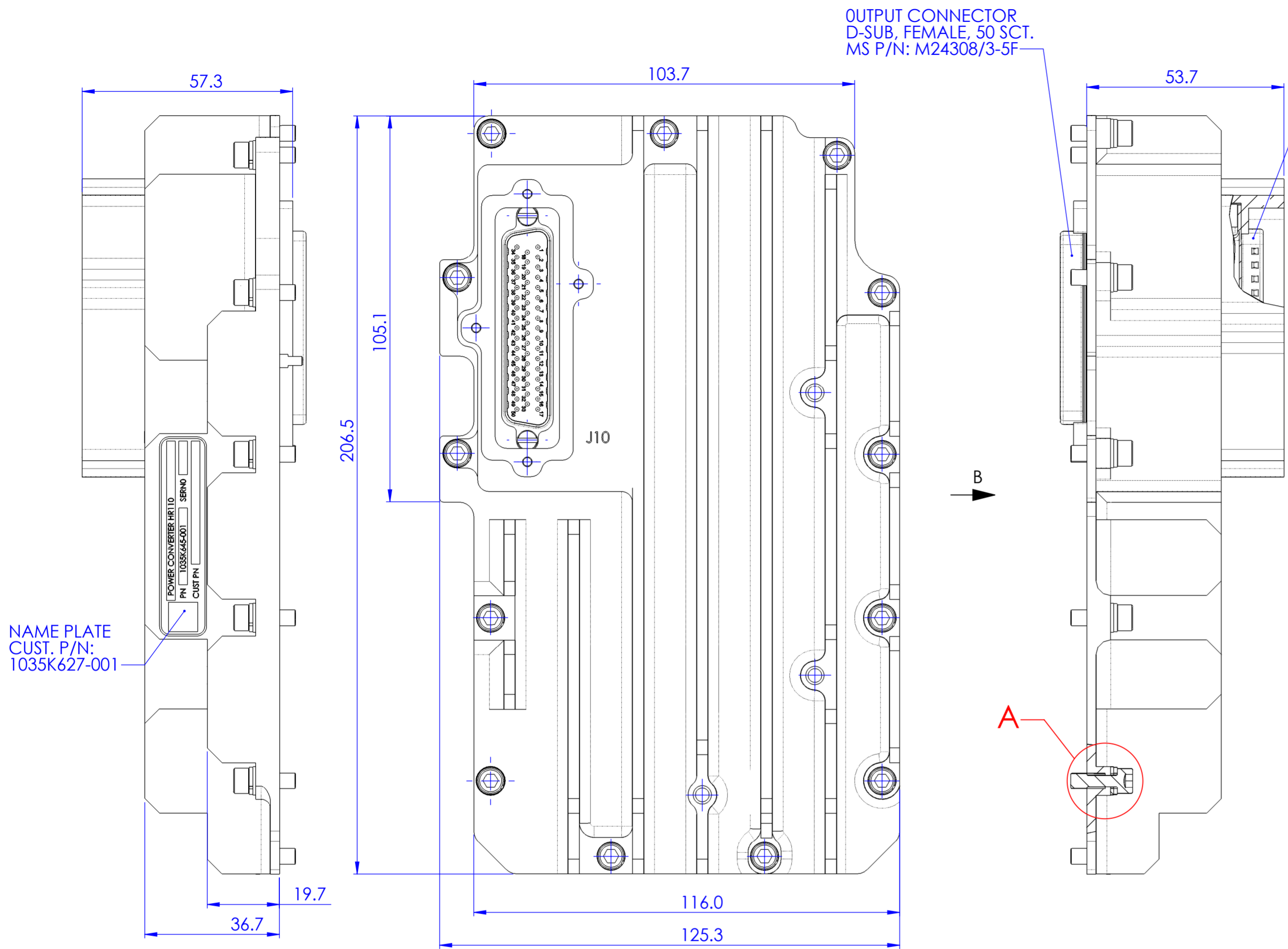


REV.	CHANGE ORDER No.	CHANGES	DATE	APPROVAL



**Materials and Finishes:**

Connectors	Steel, Cadmium plated.
Heat Sink Panel & Module Panel	Al. Alloy 6061-T651Or Eq, Chemical Conversion IAW MIL-DTL-5541F, Type I, Class 1A. Heat Sink Panel only, Painted all around, except marked areas: a. Primer epoxy, per MIL-PRF-23377, Type I, Class C, 20-30µ b. Top coat Polyurethane per MIL-PRF-85285, Type I, Class H, 40-60µ c. Color: Per FED-STD-595B, color No. 23613
Spacers & Nut Bar	Al. Alloy 6061-T651Or Eq, Chemical Conversion IAW MIL-DTL-5541F, Type I, Class 1A.
Hardware	Stainless Steel, Passivated

**Environmental Characteristics:**

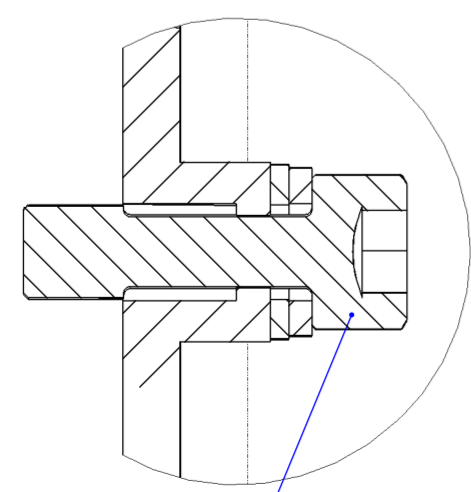
Description	Value	Paragraph per Standard			
		ISO		MIL-STD	
		2100	7137	1344	202
Vibration (Random)	Up to 40g RMS 20 to 2,000Hz	12		2005.1	201, 204, 214
Vibration (Sine)	Up to 15g PTP 10 to 2,000Hz	12		2005.1	201, 204, 214
Shock	100g X 6ms Half Sine		7	2004.1	213
Climatic					103, 106
Temperature	-46°C to +90°C Operating -55°C to +100°C Storage				
Humidity	Up to 95% @ Storage Temp. Range	18b		1002.2	
Altitude	Up to 70,000ft	18a	4		
Salt Spray	96 hours for metal parts	22		1001.1	101
Sand and Dust		23	12		
Contact Endurance	More than 500 mating cycles	16			

NAME PLATE  
CUST. P/N:  
1035K627-001

OUTPUT CONNECTOR  
D-SUB, FEMALE, 50 SCT.  
MS P/N: M24308/3-5F

INPUT CONNECTOR  
D-SUB, MALE, 50 PIN  
MS P/N: M24308/1-5F

DETAIL A  
SCALE 3 : 1



CAPTIVE SCREW  
NC8x1/2" (x13)  
CUST. P/N:1035K627-001  
S. WASHER P/N: MS35338-137  
F. WASHER P/N: 2030D030-001

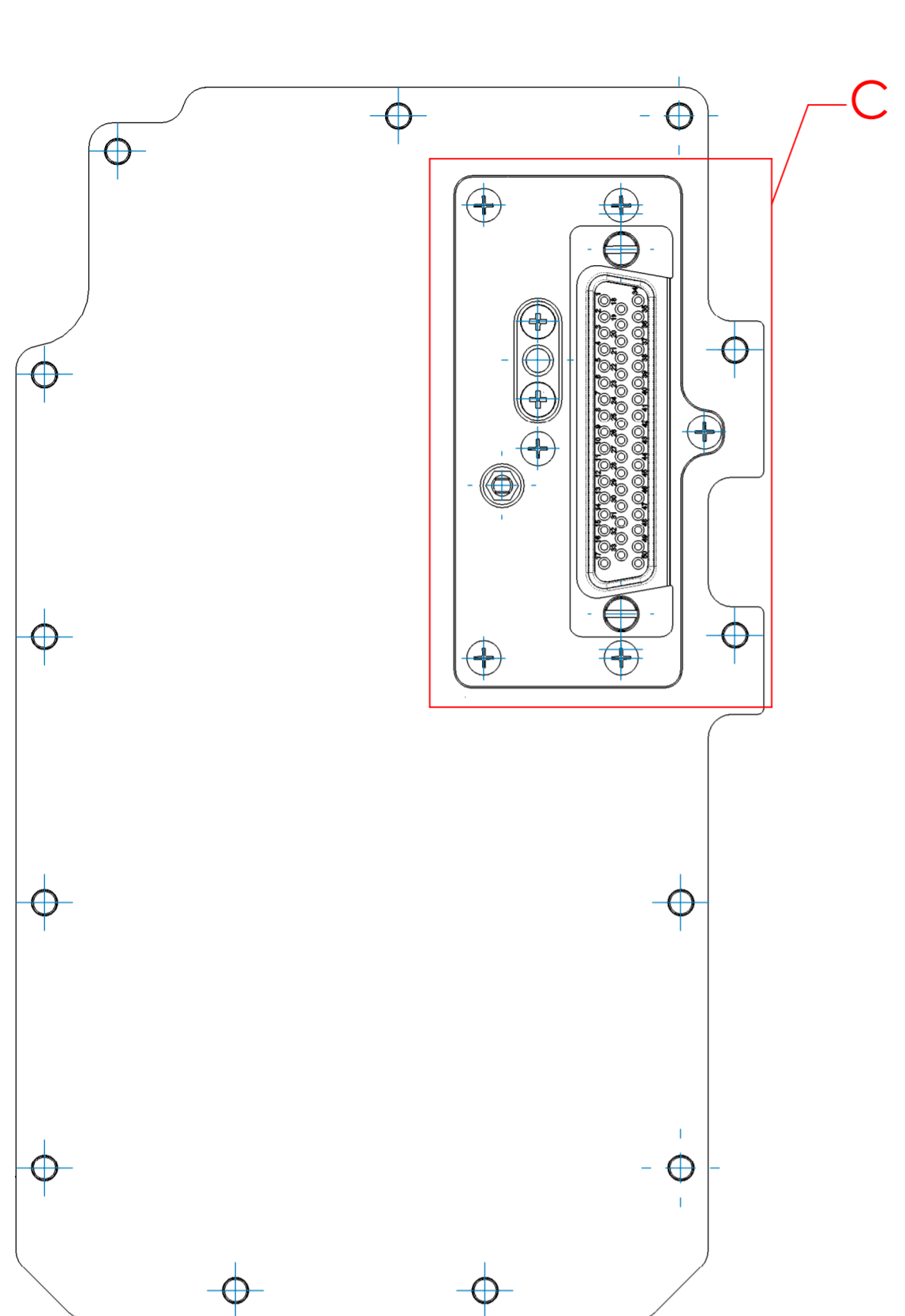
Parameter	Limit or Range	Conditions Or Remarks
Input voltage	8 VDC / 4A	
Output power nominal)	20W	Maximum output power 26W
Outputs	+6.5V   3.5Aavg	3.5Aavg maximum
Ripple noise and spike	< 10 mV p-p	For ATP tests ripple measurements shall be made by oscilloscope. (Band of 20MHz resistive load with cap smaller then 1mF).
Voltage droop	< ±2%	
Pulse width	35µsec max	The load consumption is in pulse mode. The load capacitor (3.5 mF) should supply the pulses consumption. The power converter should supply average power.
PRF	4 kHz – 10kHz	
Max Duty Cycle	12% max	All adapter pins are pin to pin. Converter pin out as customer Spec'

NOTES:

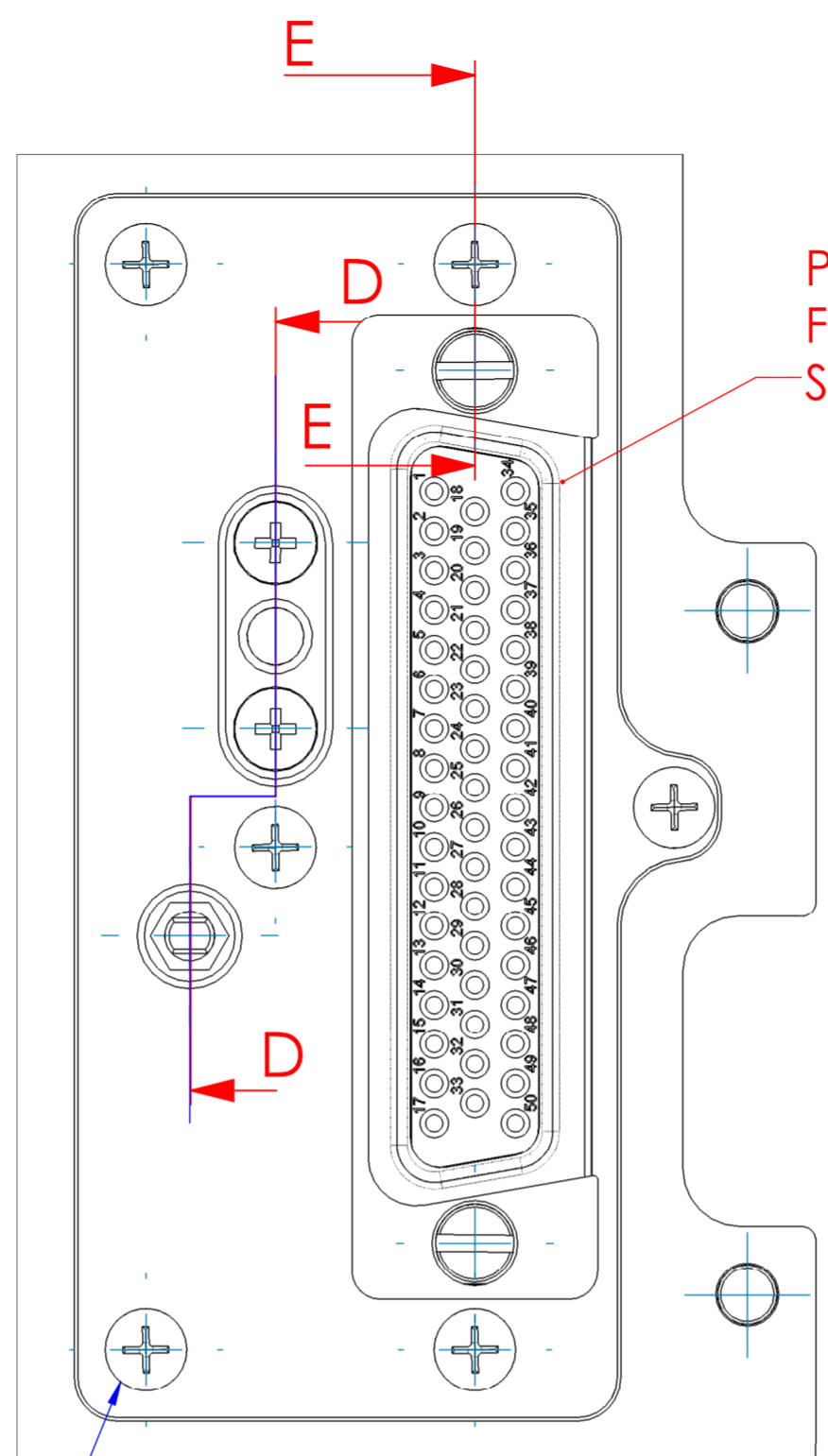
- D-SUB CONNECTORES MODULE IS FLOAT BETWEEN 2 PANELS. FOR FLOATING VALUES SEE SHEET 2, SECTION E.
- INDICATED FACES, HOLES AND THREADS, ARE FREE OF PAINT.
- PRODUCT CUSTOMER P/N: 1035K646-001.
- UNSHOWN DIMENSIONS TO BE TAKEN FROM CAD MODEL

NAME SIGNATURE	DATE		THIS DOCUMENT CONTAINS PROPRIETARY INFORMATION OF RF IMMUNITY LTD. AND MAY NOT BE REPRODUCED, COPIED, DISCLOSED OR UTILIZED IN ANY WAY IN WHOLE OR IN PART, WITHOUT THE PRIOR WRITTEN CONSENT OF RF IMMUNITY LTD.	
NIR NISSIM	22/10/2019	DRAFT		
YURI Z.	22/10/2019	CHECK		
NIR NISSIM	22/10/2019	DESIGN		
REGINA YOFFE	22/10/2019	PA.		
YURI Z.	22/10/2019	APPR.	DO NOT MEASURE ON DWG. BREAK SHARP CORNERS. ALL UNDIMENSIONED RADIUS ARE R=0.5	PROJECT
NEXT ASSY.	SURF. FINISH			
XXXXX	N7			-----
SURFACE TREATMENTS:			MATERIAL	
-----			-----	
ANGLE PROJECTION	TOLER.	TITLE	POWER CONVERTER	
	X. ±0.5 X.X ±0.2 X.XX ±0.05			
SCALE	N.A.	ANGLES ±30'	SIZE	DRAWING NO.
DIM. IN	MM	SHEET OF	A2	AU001448
		1 OF 2		0

REV.	CHANGE ORDER No.	CHANGES	DATE	APPROVAL



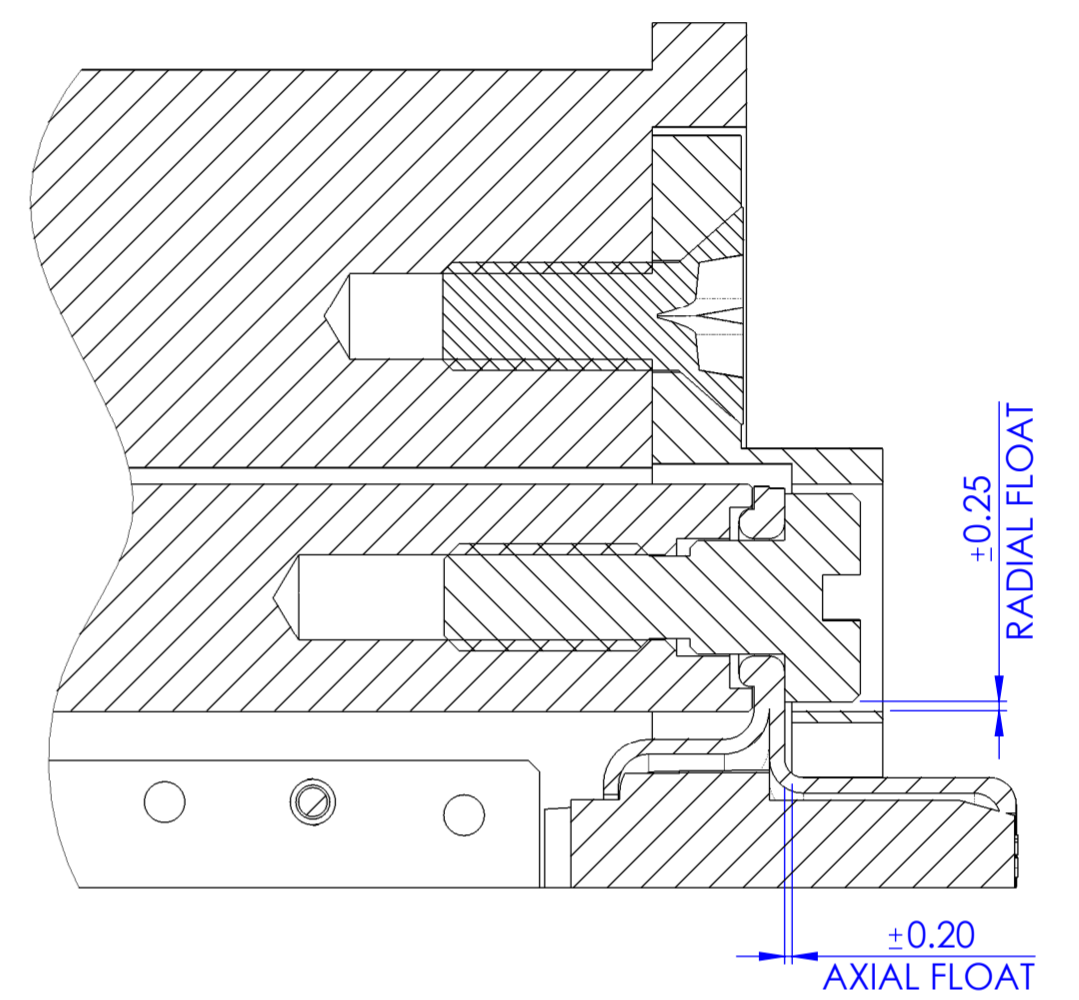
VIEW B  
SCALE 1 : 1



DETAIL C  
SCALE 2 : 1

POWER CONVERTER  
FLOATING MODULE  
SEE SECTION C-C

NC4x5/16" F.H.  
81° S.S. MS P/N:  
MS51959-14 (x6)



SECTION E-E  
SCALE 5 : 1

+0.25  
RADIAL FLOAT  
  
+0.20  
AXIAL FLOAT

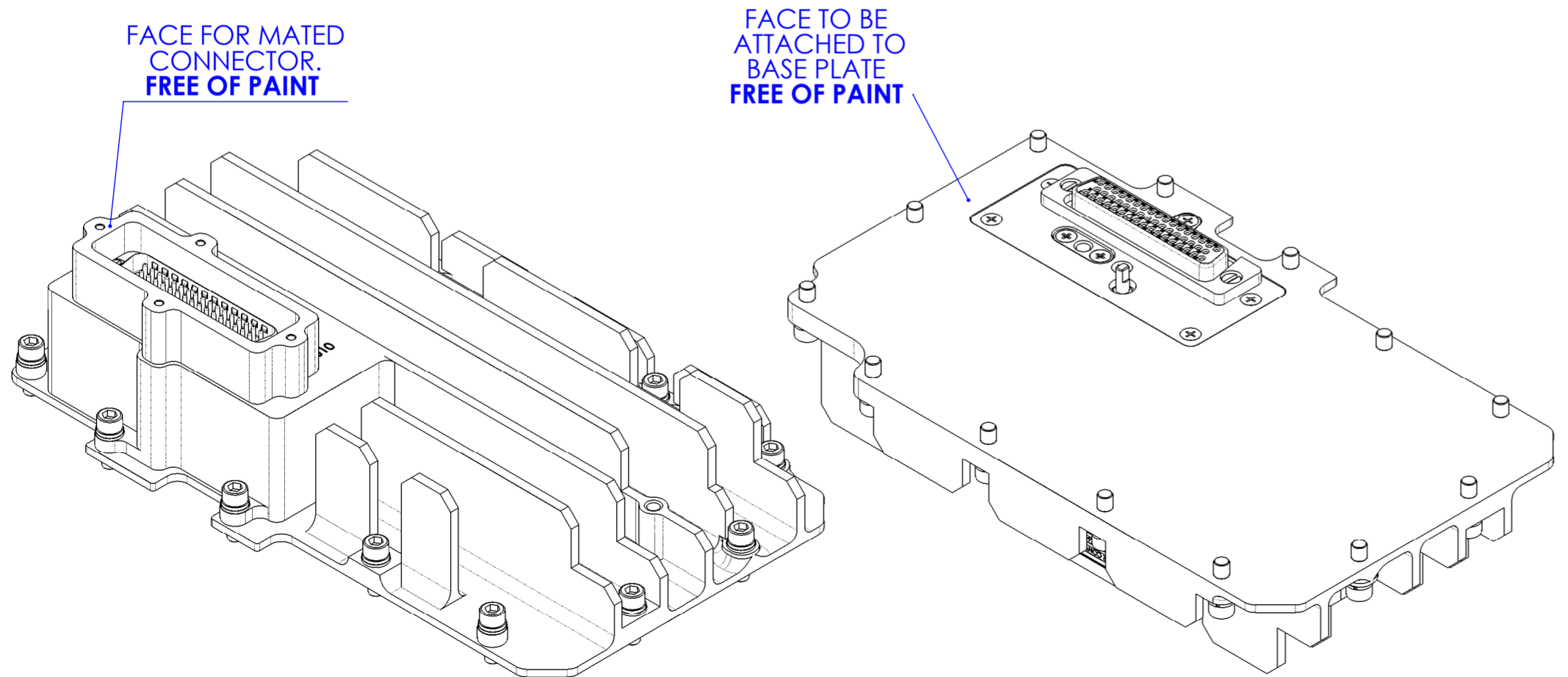
SECTION D-D  
SCALE 3 : 1

NC4x5/16" F.H.  
100° S.S. MS P/N:  
MS24693-C3 (x2)

BUSHING  
CUST. P/N:  
1035K627-001

GUIDE PIN  
CUST. P/N:  
1035K232-001

FLOATING MODULE  
VALUES



FACE FOR MATED  
CONNECTOR.  
FREE OF PAINT

FACE TO BE  
ATTACHED TO  
BASE PLATE  
FREE OF PAINT

NAME	SIGNATURE	DATE		THIS DOCUMENT CONTAINS PROPRIETARY INFORMATION OF RF IMMUNITY LTD. AND MAY NOT BE REPRODUCED, COPIED, DISCLOSED OR UTILIZED IN ANY WAY IN WHOLE OR IN PART, WITHOUT THE PRIOR WRITTEN CONSENT OF RF IMMUNITY LTD.	PROJECT .....
NIR NISSIM		22/10/2019	DRAFT		
YURI Z.		22/10/2019	CHECK		
NIR NISSIM		22/10/2019	DESIGN		
REGINA YOFFE		22/10/2019	PA.	DO NOT MEASURE ON DWG. BREAK SHARP CORNERS. ALL UNDIMENSIONED RADIUS ARE R=0.5	MATERIAL .....
YURI Z.		22/10/2019	APPR.		
NEXT ASSY.	SURF. FINISH				
XXXX	N7				
SURFACE TREATMENTS: .....					
ANGLE PROJECTION	TOLER.	TITLE			
	X. ±0.5	POWER CONVERTER			
	X.X ±0.2				
	X.XX ±0.05				
SCALE	N.A.	ANGLES	±30'	SIZE	DRAWING NO.
DIM.	MM	SHEET	2	A2	AU001448
IN		OF	2		0