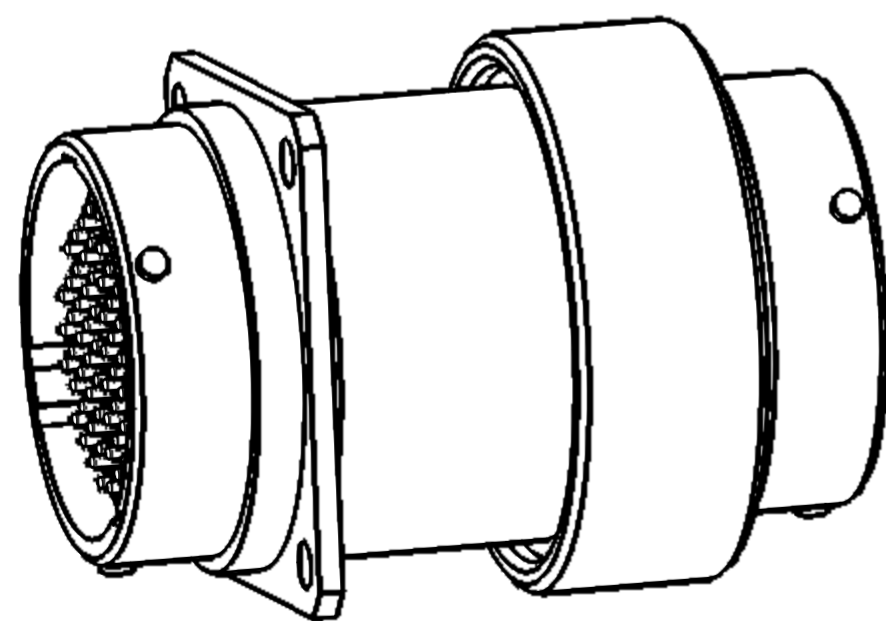
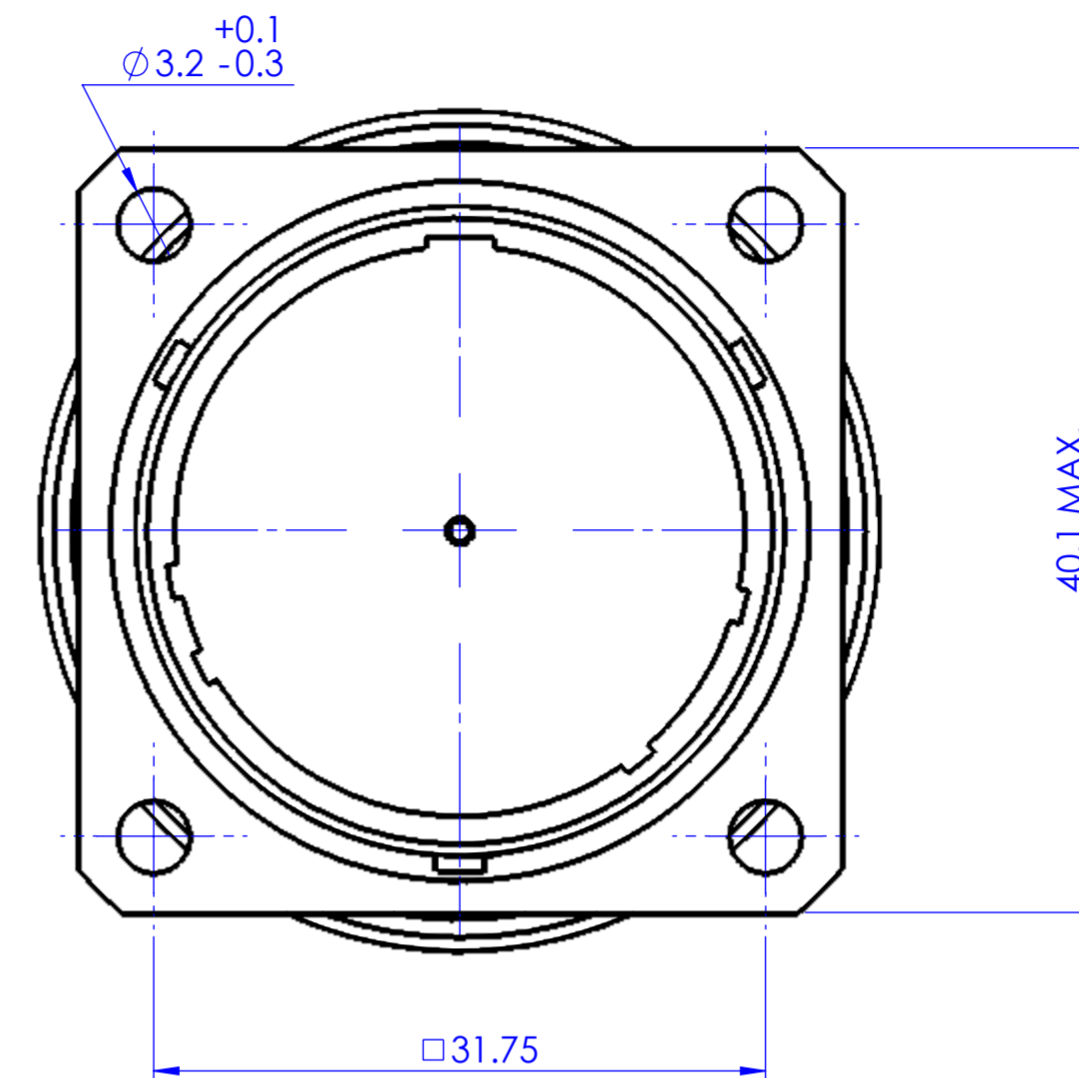
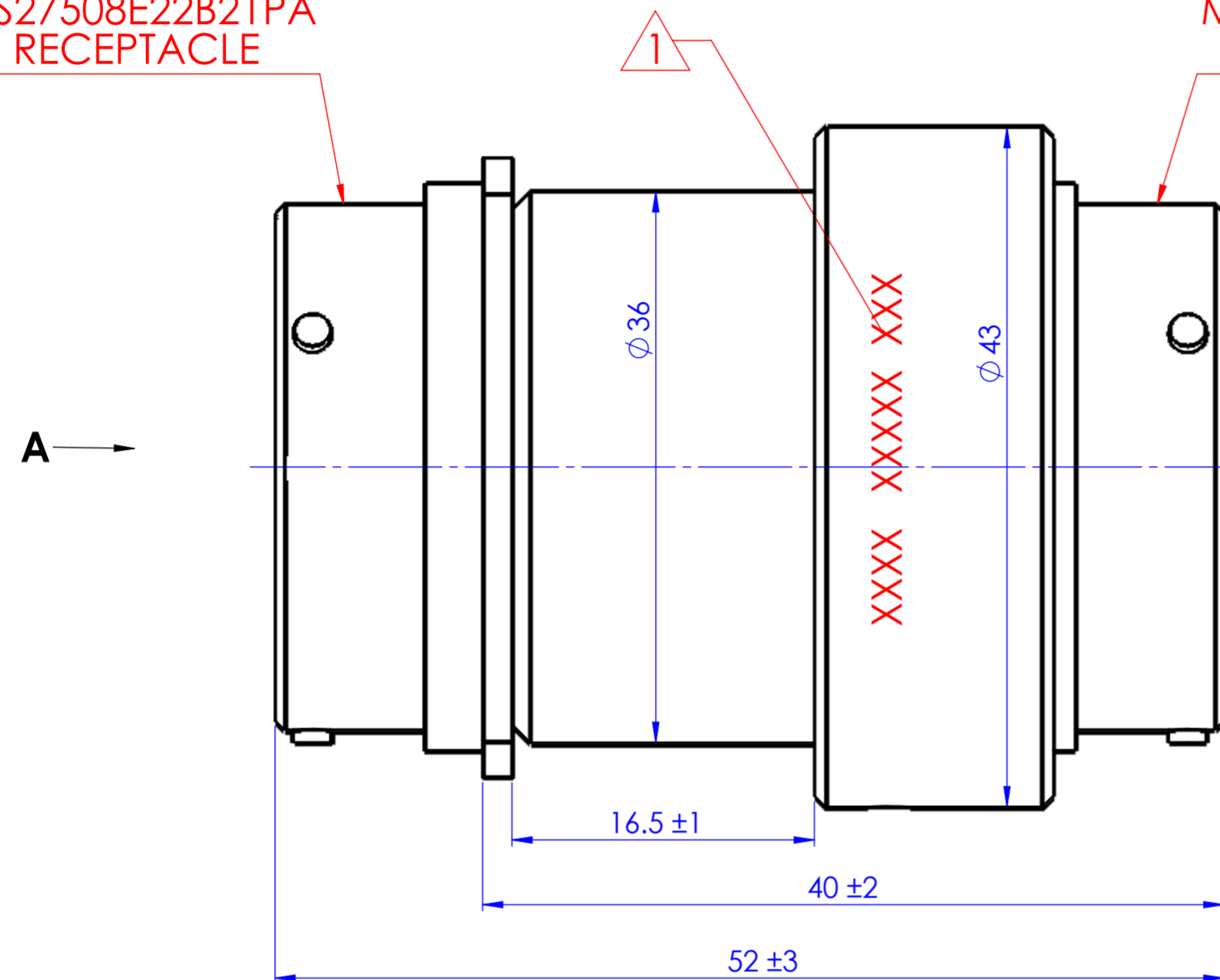


REV.	CHANGE ORDER No.	CHANGES	DATE	APPROVAL

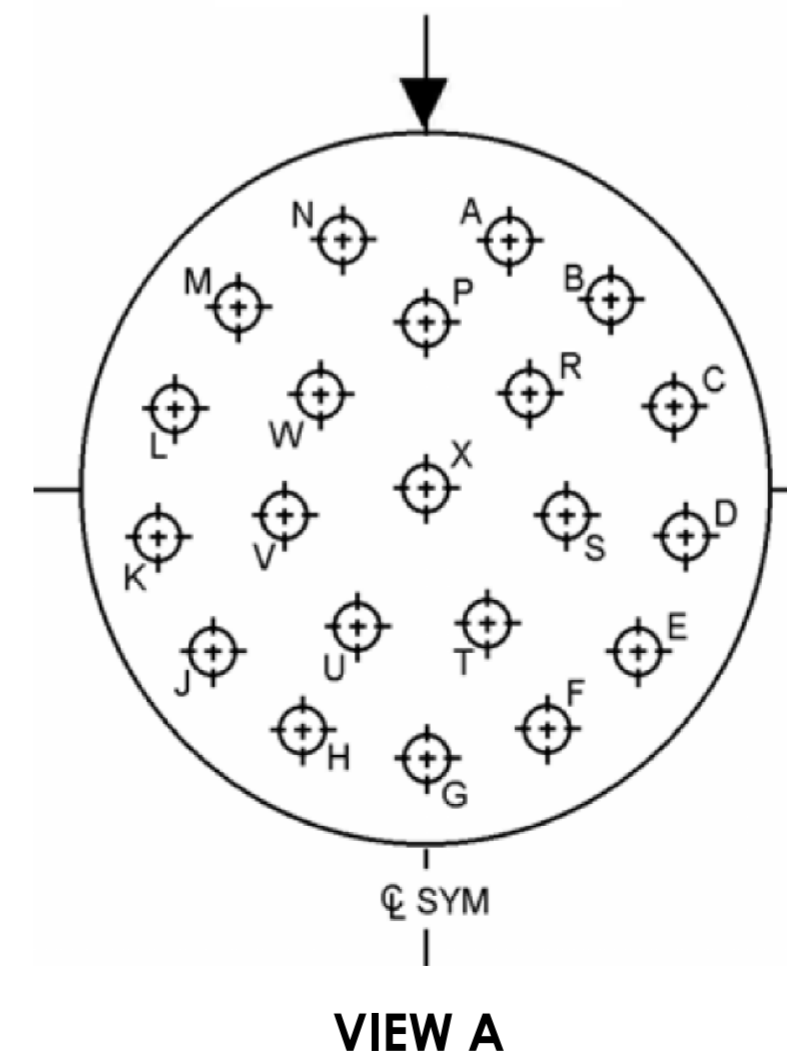
MS27508E22B21PA
RECEPTACLE

MS27508E22B21SA
RECEPTACLE



DRAFT

MIL-STD-1560B



NAME	SIGNATURE	DATE		THIS DOCUMENT CONTAINS PROPRIETARY INFORMATION OF RF IMMUNITY LTD. AND MAY NOT BE REPRODUCED, COPIED, DISCLOSED OR UTILIZED IN ANY WAY IN WHOLE OR IN PART, WITHOUT THE PRIOR WRITTEN CONSENT OF RF IMMUNITY LTD.	PROJECT XX
	YURI Z.	21.04.15	DRAFT		
	NIR NISSIM	21.04.15	CHECK		
	YURI Z.	21.04.15	DESIGN		
	REGINA YOFFE	21.04.15	PA.	DO NOT MEASURE ON DWG. BREAK SHARP CORNERS. ALL UNDIMENSIONED RADIUS ARE R=0.5	XX
	NIR NISSIM	21.04.15	APPR.		
NEXT ASSY.	SURF. FINISH				
XXXX	N7				
SURFACE TREATMENTS:				MATERIAL	
ANGLE PROJECTION	TOLER.	TITLE			
	X. ±0.5	CD FOR D38999 SERIES II			
	X.X ±0.2	21 CONTACTS (22-21)			
	X.XX ±0.05	RECEPT. TO RECEPT. FILTER ADAPTOR			
SCALE	N.A.	ANGLES ±30'	SIZE	DRAWING NO.	REV.
DIM. IN	MM	SHEET OF	1 2	A2	C2R22W21P0A000361 0

NOTES:

△ MARKING: MANUFACTURER P/N, DATE CODE

REV.	CHANGE ORDER No.	CHANGES	DATE	APPROVAL
X	XXXX	XXXXX	XXXXXX	XXXXX

Filter Electrical Characteristics

Contact	Contact Current [A]	Filter Type	W.V. [V _{DC}]	D.W.V. [V _{DC}]	Cap. ±20%	Attenuation ¹ [dB] vs. Frequency [MHz]			
						1	10	100	1000
A, B, C, D, E, F, G, H, J, K, L, M, N, P, R, S, T, U, V, W	13	PI	100	250	136nF	20	40	60	50
X	13	No Filter	200	500	-	-	-	-	-

¹ – Typical Attenuation per MIL-STD-220 (50Ω System; No Load)

Environmental Characteristics:

Description	Value	Paragraph per Standard			
		ISO		MIL-STD	
		2100	7137	1344	202
Sealing	IP 65				
Vibration (Random)	Up to 40g RMS 20 to 2,000Hz	12		2005.1	201, 204, 214
Vibration (Sine)	Up to 15g PTP 10 to 2,000Hz	12		2005.1	201, 204, 214
Shock	100g X 6ms Half Sine		7	2004.1	213
Climatic					103, 106
Temperature	-55°C to +125°C Operating and Storage				
Humidity	Up to 95% @ Storage Temp. Range	18b		1002.2	
Altitude	Up to 70,000ft	18a	4		
Salt Spray	500 hours	22		1001.1	101
Sand and Dust		23	12		110
Contact Endurance	More than 500 mating cycles	16			

DRAFT

Materials and Finishes:

Shell	Aluminum Alloy, Olive Drab Cadmium over Electroless Nickel plating
Contacts	Copper Alloy, 1.27 microne Gold plated Over Nickel
Potting	Epoxy Cast

NAME SIGNATURE	DATE		THIS DOCUMENT CONTAINS PROPRIETARY INFORMATION OF RF IMMUNITY LTD. AND MAY NOT BE REPRODUCED, COPIED, DISCLOSED OR UTILIZED IN ANY WAY IN WHOLE OR IN PART, WITHOUT THE PRIOR WRITTEN CONSENT OF RF IMMUNITY LTD.
YURI Z.	21.04.15	DRAFT	
NIR NISSIM	21.04.15	CHECK	
YURI Z.	21.04.15	DESIGN	
REGINA YOFFE	21.04.15	PA.	DO NOT MEASURE ON DWG. BREAK SHARP CORNERS. ALL UNDIMENSIONED RADIUS ARE R=0.5
NIR NISSIM	21.04.15	APPR.	
NEXT ASSY.	SURF. FINISH		PROJECT
XXXXX	N7		XX
SURFACE TREATMENTS:			MATERIAL
ANGLE PROJECTION	TOLER.	TITLE	CD FOR D38999 SERIES II 21 CONTACTS (22-21) RECEPT. TO RECEPT. FILTER ADAPTOR
	X. ±0.5 X.X ±0.2 X.XX ±0.05		
SCALE	N.A.	ANGLES ±30'	SIZE
DIM. IN	MM	SHEET OF	A2
		2 OF 2	DRAWING NO.
			C2R22W21P0A000361
			REV.
			0