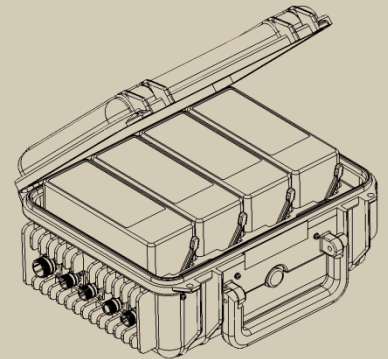


Portable Hybrid Energy Manager, Battery Charger and Power Distributer



Designed for tactical military applications, the **AU001210** of **RF Immunity** manages the priority of energy harvesting and batteries charging starting with any available renewable energy, through steady 28V_{DC} power source and ending with 3 fully controlled Fuel Cells.

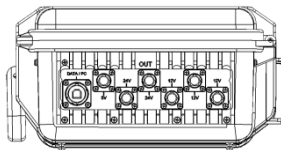
The **AU001210** has 10 standalone 50W DC/DC converters for 10 outlets of 24V_{DC}, 12V_{DC} and 5V_{DC}, with indication for inputs, outputs and batteries charging status. The interfaces are D38999 connectors. Each input has reverse polarity protection and each output has overload and short-circuit protection.

The **AU001210** able to charge 4 batteries simultaneously during delivering energy to the outlets while the following power sources are available:

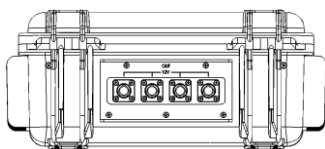
- 28V_{DC} - Integrated MIL-STD-1275 Protection for vehicle power, $P_{peak}=600W$
- Renewable Energy - $P_{peak}=150W$
- SFC EMILYCube 2500 - $P_{peak}=150W$
- Dual SFC JENNY1200 - $P_{peak}=2 \times 50W$

Specifications:

Sealing - IP65
Working Temp. - 0°C/+40°C
Storage Temp. - -25°C/+85°C
Size - 335x290x155 mm
Weight - 6.1kg (without batteries)
- 11.7kg (with batteries)



Right Side View



Rear Side View

