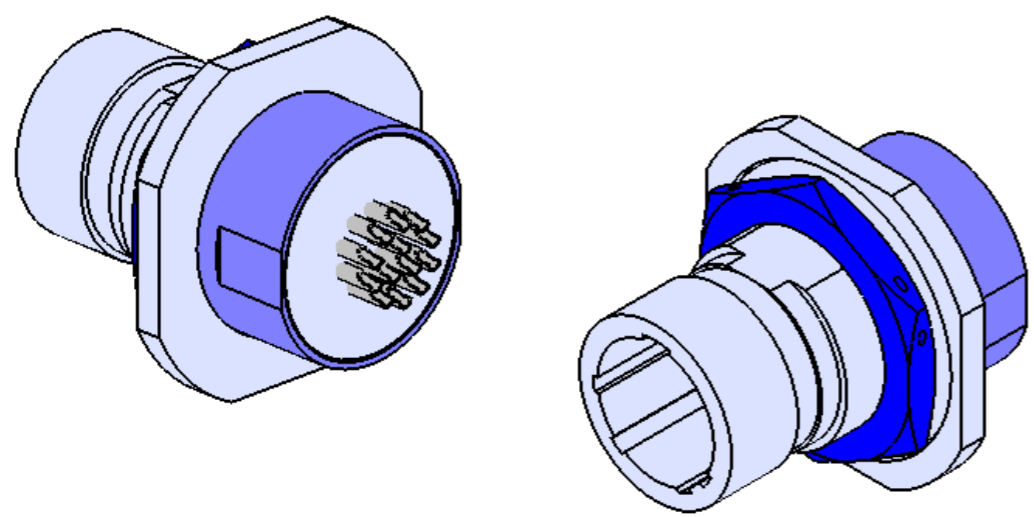
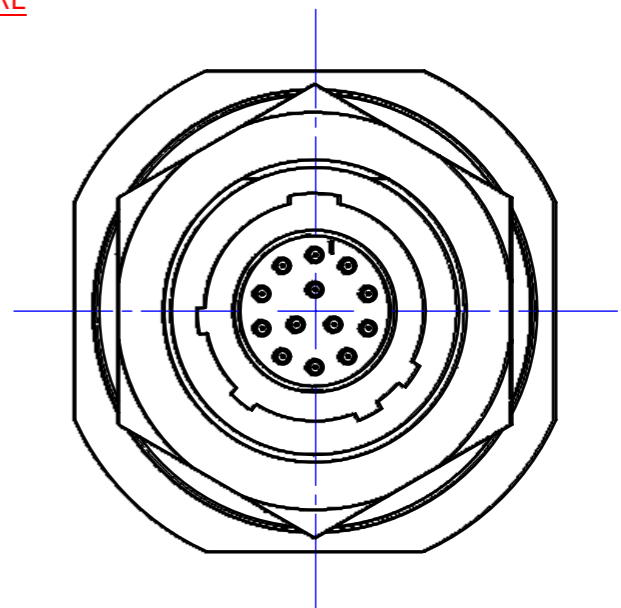
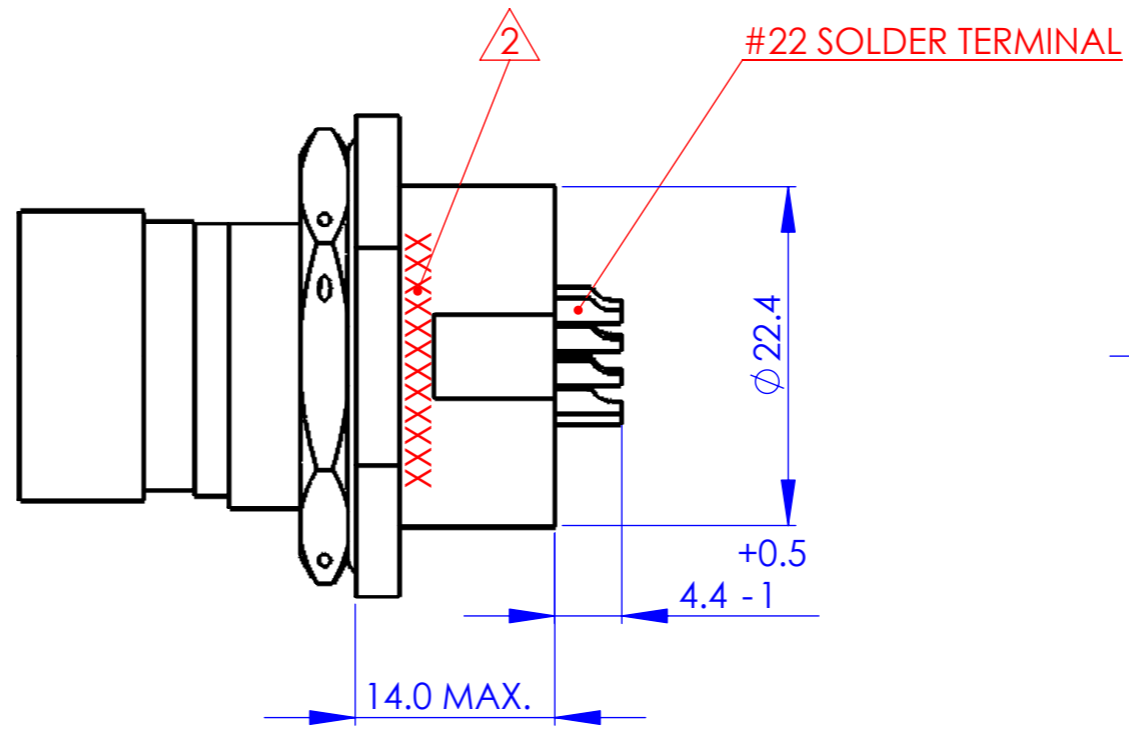
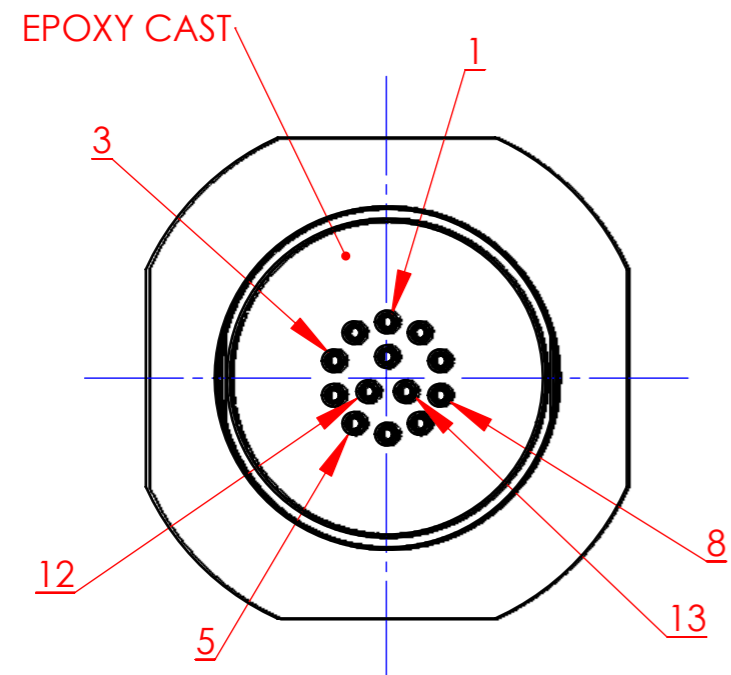


REV.	CHANGE ORDER No.	CHANGES	DATE	APPROVAL



NOTES:
 1. CONNECTOR BASED ON D38999/24FB35PN
 MARKING: MANUFACTURER P/N, DATE CODE

NAME	POSITION	DATE	THIS DOCUMENT CONTAINS PROPRIETARY INFORMATION OF RF IMMUNITY LTD. AND MAY NOT BE REPRODUCED, COPIED, DISCLOSED OR UTILIZED IN ANY WAY IN WHOLE OR IN PART, WITHOUT THE PRIOR WRITTEN CONSENT OF RF IMMUNITY LTD.	PROJECT ...
YURI ZARHIN	MECHANIC. DESIGN	15.07.10		
YURI ZARHIN	DRAWING	15.07.10		
EYAL RONEN	ELECTR. DESIGN	15.07.10		
REGINA YOFFE	PA.	15.07.10		
NIR NISSIM	APPROVAL	15.07.10	DO NOT MEASURE ON DWG. BREAK SHARP CORNERS. ALL UNDIMENSIONED RADIUS ARE R=0.2	...
NEXT ASSY.	SURF. FINISH			
...	N7			
SURFACE TREATMENTS:			MATERIAL	
....			
ANGLE PROJECTION	TOLER.	TITLE:		
	X. ±0.5	CD FOR D38999/III 13 PIN CONT. ETHERNET FILTER CONNECTOR		
	X.X ±0.2			
	X.XX ±0.05			
SCALE	N.A.	ANGLES ±30'	SIZE	DRAWING NO.
DIM. IN	MM	Sheet 1 OF 2	A3	MIL-LAN-AU001300
			REV.	NEW



Filter Electrical Characteristics:

Contact	Filter Type	Current [A]	W.V. [V _{DC}]	D.W.V. [V _{DC}]	Cap. ±20%
1, 6, 11-13	C	5	100	250	20nF
[2 to 3], [4 to 5], [7 to 8], [9 to 10]	[D+ to D-]	0.5	100	250	-

REV.	CHANGE ORDER No.	CHANGES	DATE	APPROVAL

Environmental Characteristics:

Description	Value	Paragraph per Standard			
		ISO		MIL-STD	
		2100	7137	1344	202
Sealing	Up to 10 ⁻³ cm ³ /s @ ΔP=1atm				
Vibration (Random)	Up to 40g RMS 20 to 2,000Hz	12		2005.1	201, 204, 214
Vibration (Sine)	Up to 15g PTP 10 to 2,000Hz	12		2005.1	201, 204, 214
Shock	100g X 6ms Half Sine		7	2004.1	213
Climatic					103, 106
Temperature	-55°C to +125°C Operating and Storage				
Humidity	Up to 95% @ Storage Temp. Range	18b		1002.2	
Altitude	Up to 70,000ft	18a	4		
Salt Spray		22		1001.1	101
Sand and Dust		23	12		
Contact Endurance	More than 500 mating cycles	16			

Materials and Finishes:

Shell	Aluminum Alloy, Olive Drab Plating
Back Shell	Aluminum Alloy, Electroless Nickel Plating
Contacts	Copper Alloy, Gold Plated Over Nickel
Solder Cups	Copper Alloy, Tin Plated Over Nickel
Potting	Epoxy Cast

NAME	POSITION	DATE	THIS DOCUMENT CONTAINS PROPRIETARY INFORMATION OF RF IMMUNITY LTD. AND MAY NOT BE REPRODUCED, COPIED, DISCLOSED OR UTILIZED IN ANY WAY IN WHOLE OR IN PART, WITHOUT THE PRIOR WRITTEN CONSENT OF RF IMMUNITY LTD.	PROJECT			
YURI ZARHIN	MECHANIC. DESIGN	15.07.10			DO NOT MEASURE ON DWG. BREAK SHARP CORNERS. ALL UNDIMENSIONED RADIUS ARE R=0.2	---	
YURI ZARHIN	DRAWING	15.07.10					
EYAL RONEN	ELECTR. DESIGN	15.07.10					
REGINA YOFFE	PA.	15.07.10					
NIR NISSIM	APPROVAL	15.07.10					
NEXT ASSY.	SURF. FINISH						
---	N7		MATERIAL				
SURFACE TREATMENTS:			----				
ANGLE PROJECTION	TOLER.	TITLE:	CD FOR D38999/III 13 PIN CONT. ETHERNET FILTER CONNECTOR				
	X. ±0.5	SIZE	DRAWING NO.	REV.			
	X.X ±0.2				A3	MIL-LAN-AU001300	NEW
SCALE N.A.	X.XX ±0.05						
	ANGLES ±30'						
DIM.	Sheet2						
IN MM	OF 2						