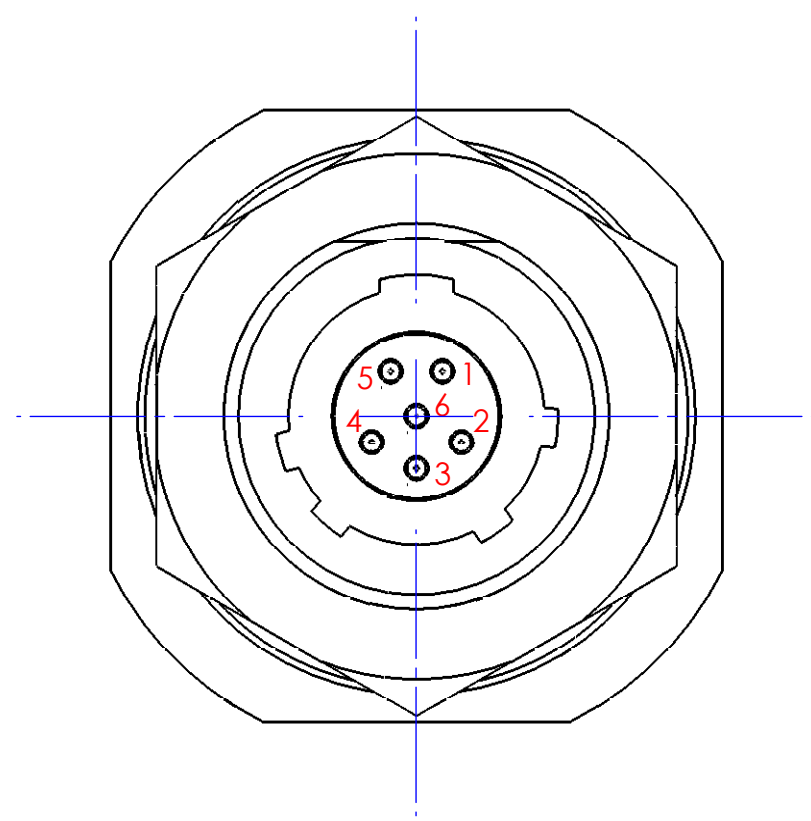
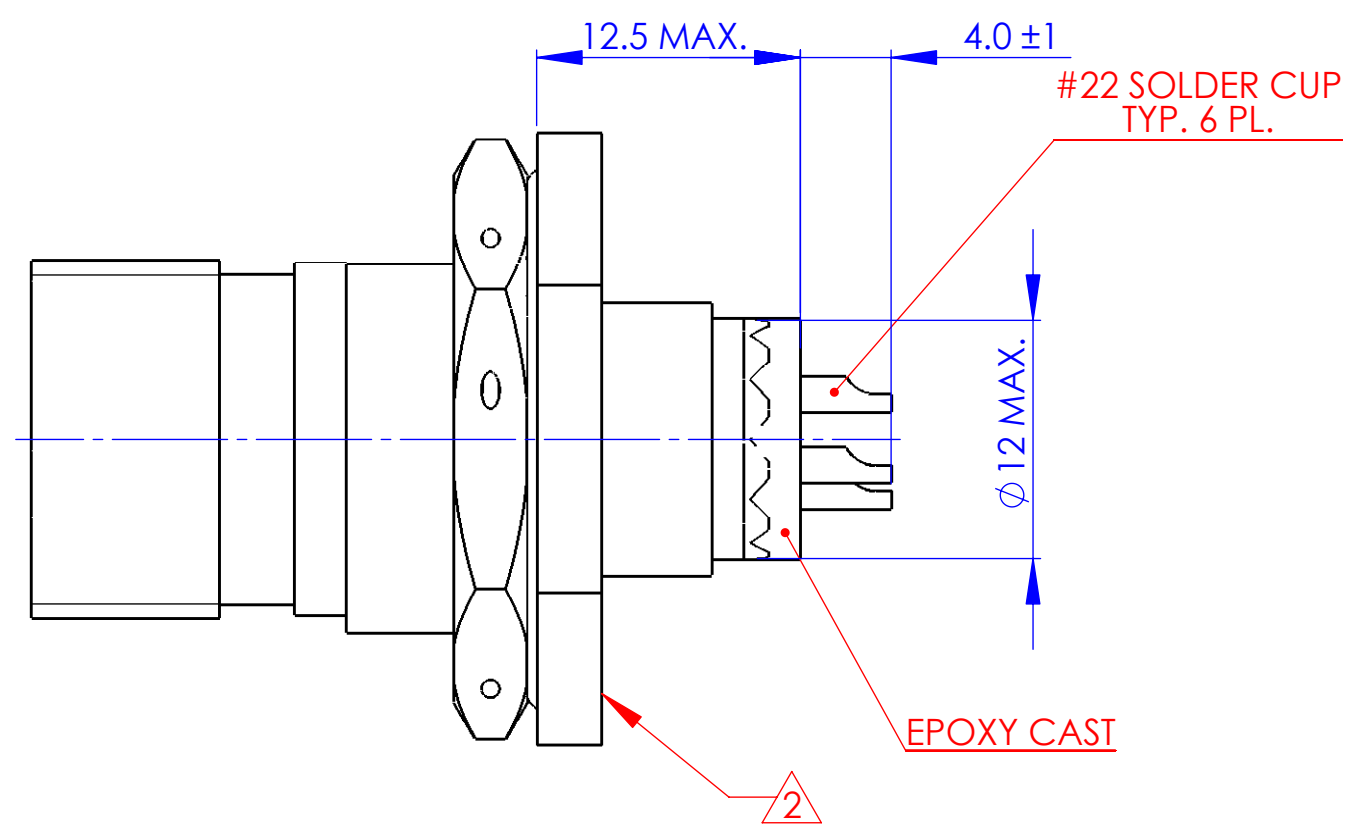


REV.	CHANGE ORDER No.	CHANGES	DATE	APPROVAL



NAME	POSITION	DATE	THIS DOCUMENT CONTAINS PROPRIETARY INFORMATION OF RF IMMUNITY LTD. AND MAY NOT BE REPRODUCED, COPIED, DISCLOSED OR UTILIZED IN ANY WAY IN WHOLE OR IN PART, WITHOUT THE PRIOR WRITTEN CONSENT OF RF IMMUNITY LTD.	PROJECT ---
YURI ZARHIN	MECHANIC. DESIGN	15.07.10		
YURI ZARHIN	DRAWING	15.07.10		
EYAL RONEN	ELECTR. DESIGN	15.07.10		
REGINA YOFFE	PA.	15.07.10		
NIR NISSIM	APPROVAL	15.07.10	DO NOT MEASURE ON DWG. BREAK SHARP CORNERS. ALL UNDIMENSIONED RADIUS ARE R=0.2	---
NEXT ASSY. ---	SURF. FINISH N7	SURFACE TREATMENTS: ----		MATERIAL ----
ANGLE PROJECTION 	TOLER. X. ±0.5 X.X ±0.2 X.XX ±0.05 ANGLES ±30'	TITLE: D38999/III 09-35 USB PROTOCOL FILTER CONNECTOR 6 PIN CONTACTS, NORMAL POSITION		
SCALE N.A.	DIM. IN MM	Sheet 1 OF 2	SIZE A3	DRAWING NO. MIL-USB-AU001168
REV. NEW			REV. NEW	

**NOTES:**  
1. CONNECTOR BASED ON D38999/24WA35PN  
2. MARKING: MFR. P/N., DATE CODE

## Filter Electrical Characteristics:

Minimum Attenuation (Measured per MIL-STD-220A; 50Ω System; No Load):

Contact	Signal	Current Rating [A]	Filter Type	W.V. [V <sub>dc</sub> ]	D.W.V. [V <sub>dc</sub> ]	Cap. ±20% [nF]	f <sub>cc</sub> [kHz]	Attenuation [dB] vs. Frequency [MHz]			
								1	10	100	1000
1, 5	VCC, GND	5	C	200	500	20	290	5	25	50	50
2 & 4	D+ & D-	0.2	CMC	-	-	-	1000	2	10	20	15
3	Shield CGND	-	-	-	-	-	-	-	-	-	-
6	Not Connected	-	-	-	-	-	-	-	-	-	-

## Environmental Characteristics:

Description	Value	Paragraph per Standard			
		ISO		MIL-STD	
		2100	7137	1344	202
Sealing	Up to 10 <sup>-3</sup> cm <sup>3</sup> /s @ ΔP=1atm				
Vibration (Random)	Up to 40g RMS 20 to 2,000Hz	12		2005.1	201, 204, 214
Vibration (Sine)	Up to 15g PTP 10 to 2,000Hz	12		2005.1	201, 204, 214
Shock	100g X 6ms Half Sine		7	2004.1	213
Climatic					103, 106
Temperature	-55°C to +125°C Operating and Storage				
Humidity	Up to 95% @ Storage Temp. Range	18b		1002.2	
Altitude	Up to 70,000ft	18a	4		
Salt Spray	500 Hours	22		1001.1	101
Sand and Dust		23	12		
Contact Endurance	More than 500 mating cycles	16			

REV.	CHANGE ORDER No.	CHANGES	DATE	APPROVAL

## Materials and Finishes:

Shell	Aluminum Alloy, Olive Drab Cadmium Plated
Contacts	Copper Alloy, Gold Plated Over Nickel
Solder Cup	Copper Alloy, Tin Plated
Potting	Epoxy

NAME	POSITION	DATE	THIS DOCUMENT CONTAINS PROPRIETARY INFORMATION OF RF IMMUNITY LTD. AND MAY NOT BE REPRODUCED, COPIED, DISCLOSED OR UTILIZED IN ANY WAY IN WHOLE OR IN PART, WITHOUT THE PRIOR WRITTEN CONSENT OF RF IMMUNITY LTD.
YURI ZARHIN	MECHANIC. DESIGN	15.07.10	
YURI ZARHIN	DRAWING	15.07.10	
EYAL RONEN	ELECTR. DESIGN	15.07.10	
REGINA YOFFE	PA.	15.07.10	
NIR NISSIM	APPROVAL	15.07.10	DO NOT MEASURE ON DWG. BREAK SHARP CORNERS. ALL UNDIMENSIONED RADIUS ARE R=0.2
NEXT ASSY.	SURF. FINISH		PROJECT
---	N7		---
SURFACE TREATMENTS:			MATERIAL
----			----
ANGLE PROJECTION	TOLER.	TITLE: D38999/III 09-35	
	X. ±0.5	USB PROTOCOL FILTER CONNECTOR	
	X.X ±0.2	6 PIN CONTACTS, NORMAL POSITION	
	X.XX ±0.05		
SCALE N.A.	ANGLES ±30'	SIZE	DRAWING NO.
DIM. IN	Sheet2 OF 2	A3	MIL-USB-AU001168
			REV. NEW