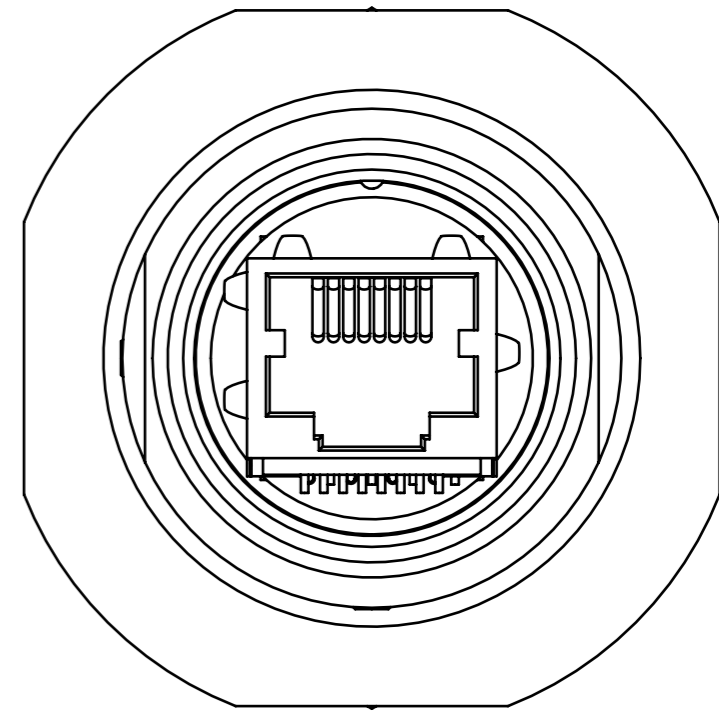
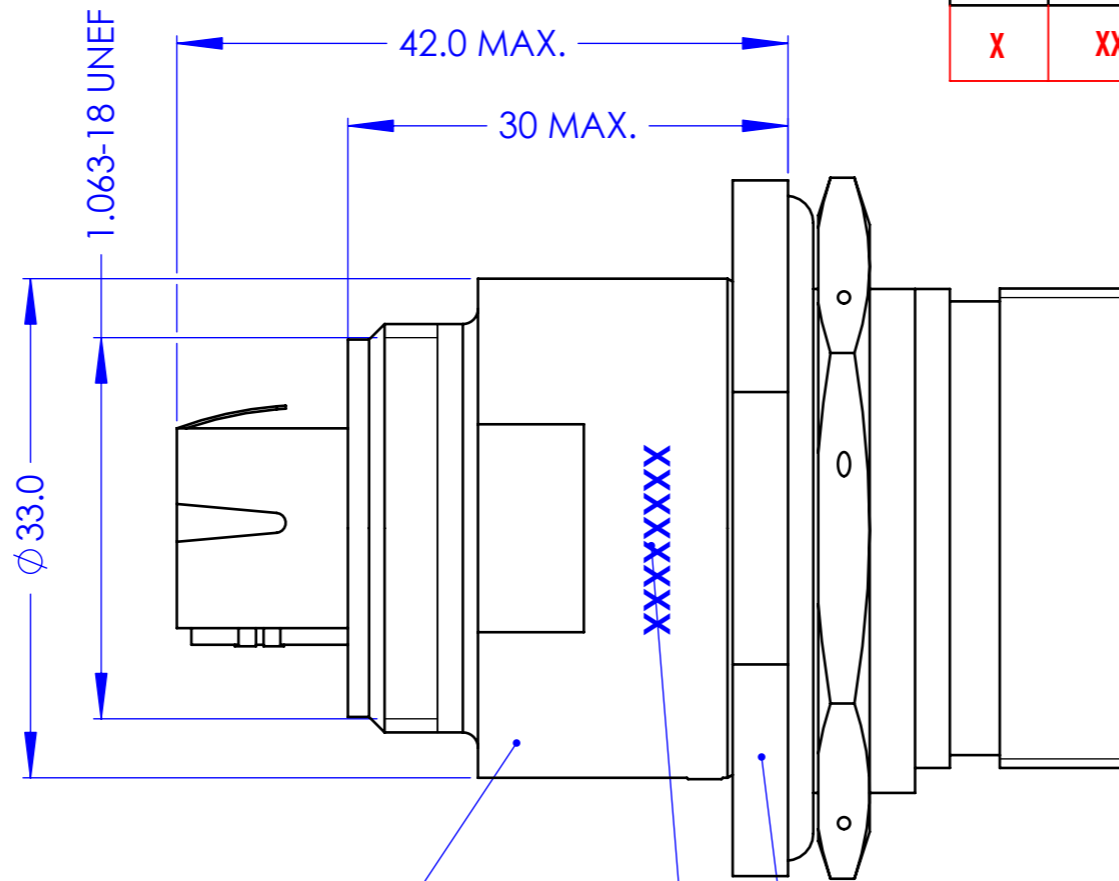
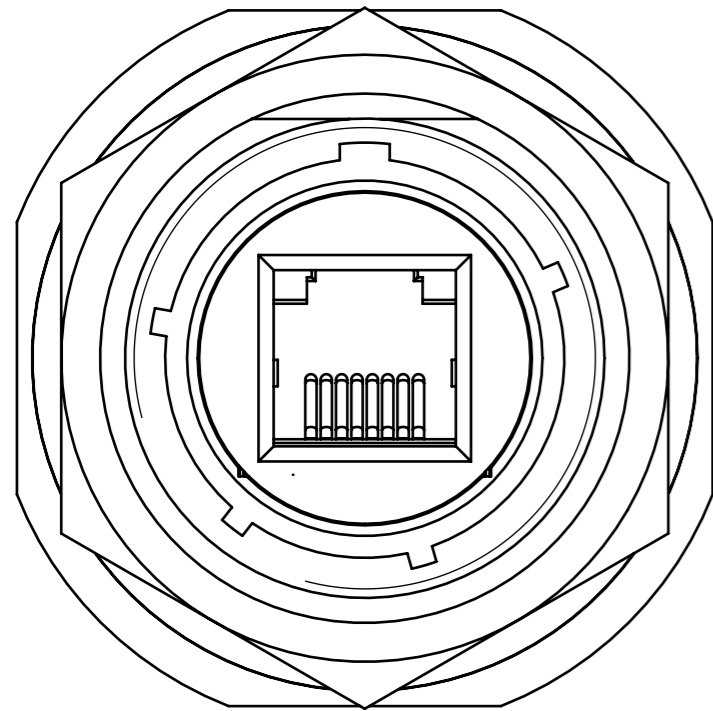


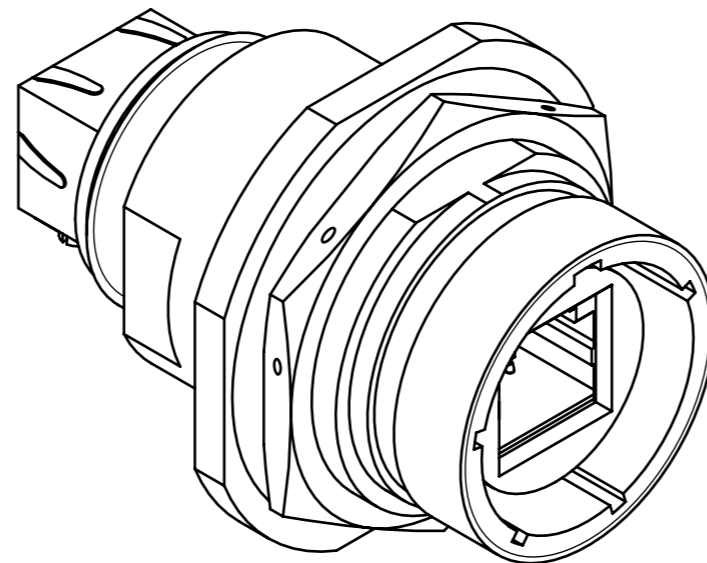
REV.	CHANGE ORDER No.	CHANGES	DATE	APPROVAL
X	XXXX	XXXXX	XXXXX	XXXXX



BACK SHELL

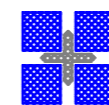
MARKING/NAME PLATE

AMPHENOL CONNECTOR
P/N: RJF TV 71 G



NAME SIGNATURE	DATE		THIS DOCUMENT CONTAINS PROPRIETARY INFORMATION OF RF IMMUNITY LTD. AND MAY NOT BE REPRODUCED, COPIED, DISCLOSED OR UTILIZED IN ANY WAY IN WHOLE OR IN PART, WITHOUT THE PRIOR WRITTEN CONSENT OF RF IMMUNITY LTD.
YURI Z.	27.12.07	DRAFT	
NIR NISSIM	27.12.07	CHECK	
YURI Z.	27.12.07	DESIGN	
REGINA YOFFE	27.12.07	PA.	
TINO NACSON	27.12.07	APPR.	DO NOT MEASURE ON DWG. BREAK SHARP CORNERS. ALL UNDIMENSIONED RADIUS ARE R=0.5
NEXT ASSY.	SURF. FINISH		PROJECT
	N7		
SURFACE TREATMENTS:			MATERIAL
ANGLE PROJECTION	TOLER.	TITLE	10/100/1000 Mb/sec ETHERNET FILTERED CONNECTOR
	X. ±0.5 X.X ±0.2 X.XX ±0.05		
SCALE 1:1	ANGLES ±30'	SIZE	DRAWING NO.
DIM. IN MM	SHEET OF 1/2	A3	AU001082
REV. NEW			

NOTES:
1. MARKING: MFR. NAME & P/No, DATE CODE



RF Immunity Ltd.

MATERIAL:

SHELL => ALUMINUM, OLIVE DRAB CADMIUM PLATED.
 BACK SHELL=> ALUMINUM, NICKEL PLATED.
 POTTING => EPOXY CAST.

REV.	CHANGE ORDER No.	CHANGES	DATE	APPROVAL
X	XXXX	XXXXX	XXXXX	XXXXX

ENVIRONMENTAL CONDITIONS:

DISCRIPTION	LEVEL, DURATION, ECT.	PARAGRAPH PER STANDARD			
		ISO2100	ISO7137	MIL-STD. -1344	MIL-STD. -202
TEMPERATURE	-40 °C TO 85 °C, OPERATING AND STORAGE.	5a			
ALTITUDE	UP TO 70000 ft.	18a	4		
SALT SPRAY	48 HOURS.				
HUMIDITY	UP TO 95% R.H. @ STORAGE TEMP RANGE.	18b		1002.2	
SAND AND DUST		23	12		
MECHANICAL SHOCK	100g. X 6ms. HALF SINE.		7	2004.1	213
VIBRATION (RANDOM)	UP TO 40g. RMS, 20 TO 2000 Hz.	12		2005.1	201,204,214.
VIBRATION (SINE)	UP TO 15g. ptp, 20 TO 2000 Hz.	12		2005.1	201,204,214.

Electrical Performance

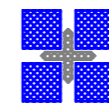
Voltage Rating 200V_{DC} (L-G)
 Current Rating 1.5A max
 Insulation Resistance 500MΩ min
 Filter type: Balanced Pi
 Typical Capacitance L-L 22pF ±20% ; Measured on contacts (1 to 2) and (3 to 6)
 Attenuation L-G – Measured in 50Ω System, no load ; contacts (1&2 to CGND) and (3&6 to CGND)

Typical:

Frequency	1MHz	5MHz	10MHz	50MHz	100MHz	500MHz	1GHz
Attenuation [dB]	0	1	5	10	12	25	35

Table 1

NAME SIGNATURE	DATE		THIS DOCUMENT CONTAINS PROPRIETARY INFORMATION OF RF IMMUNITY LTD. AND MAY NOT BE REPRODUCED, COPIED, DISCLOSED OR UTILIZED IN ANY WAY IN WHOLE OR IN PART, WITHOUT THE PRIOR WRITTEN CONSENT OF RF IMMUNITY LTD.
YURI Z.	27.12.07	DRAFT	
NIR NISSIM	27.12.07	CHECK	
YURI Z.	27.12.07	DESIGN	
REGINA YOFFE	27.12.07	PA.	
TINO NACSON	27.12.07	APPR.	DO NOT MEASURE ON DWG. BREAK SHARP CORNERS. ALL UNDIMENSIONED RADIUS ARE R=0.5
NEXT ASSY. XXXXX	SURF. FINISH N7		PROJECT XX
SURFACE TREATMENTS: XXXXX			MATERIAL XXXXX
ANGLE PROJECTION	TOLER.	TITLE	10/100/1000 Mb/sec ETHERNET FILTERED CONNECTOR
	X. ±0.5 X.X ±0.2 X.XX ±0.05		
SCALE 1:1	ANGLES ±30'	SIZE	DRAWING NO.
DIM. IN MM	SHEET OF 2 2	A3	AU001082
			REV. NEW



RF Immunity Ltd.