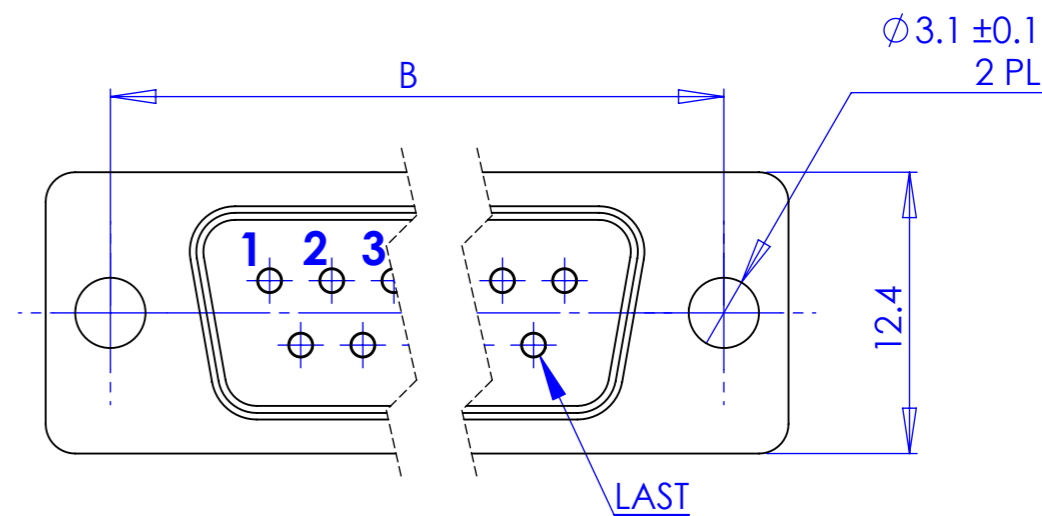
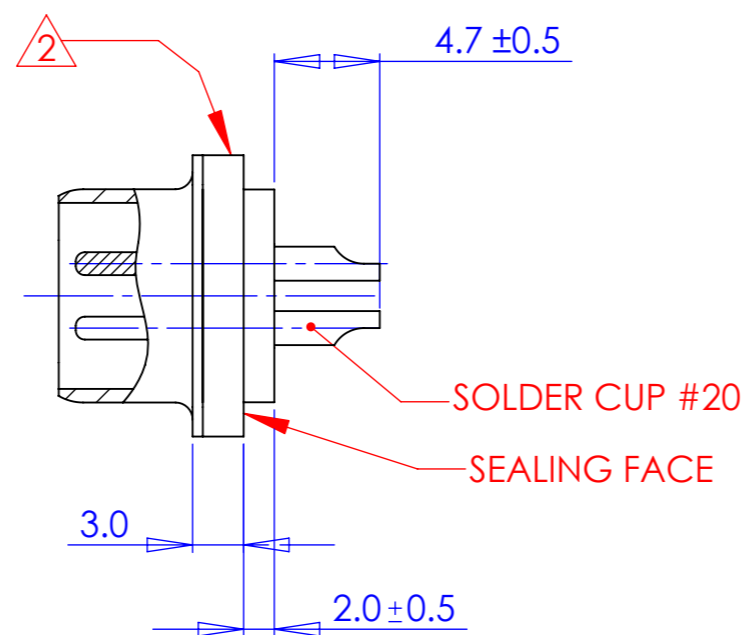
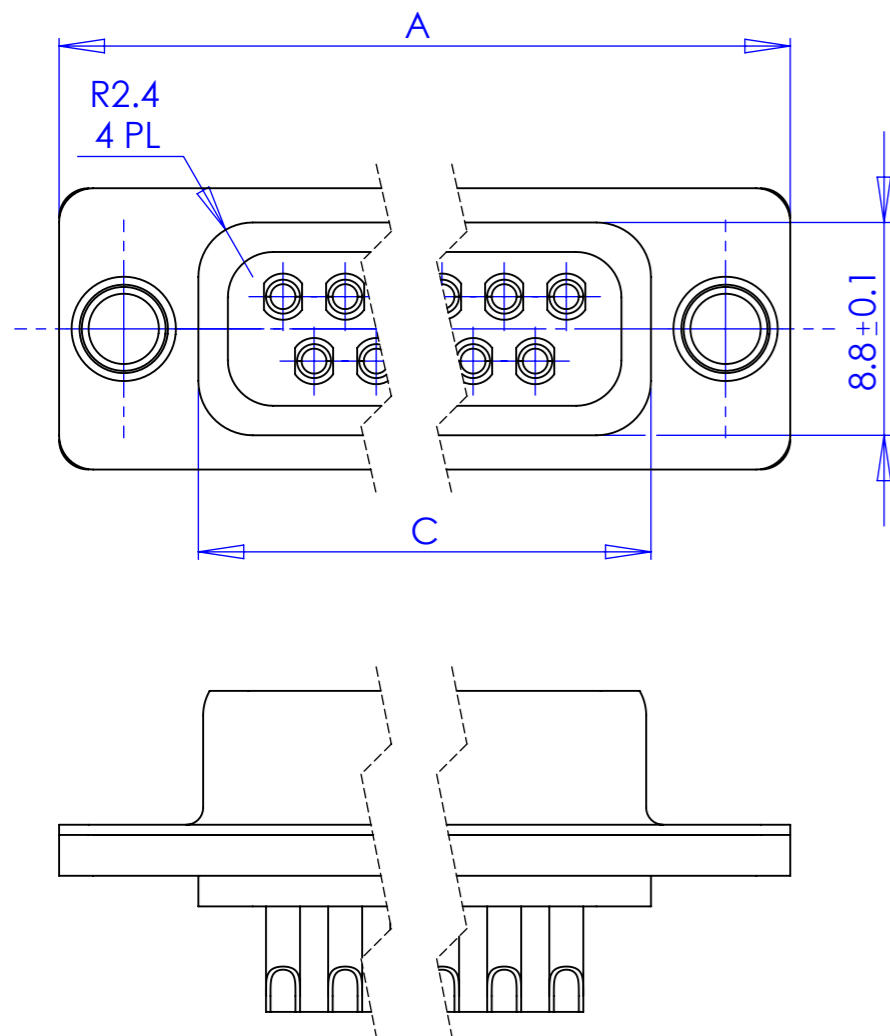


REV.	CHANGE ORDER No.	CHANGES	DATE	APPROVAL



**NEW SERIES
HERMETICALLY SEALED
HIGH RELIABILITY,
MILITARY GRADE**

NOTES:

1. BASED ON MIL-DTL-24308, EXCEPT SHOWN
2. MARKING: MANUFACTURER P/N, DATE CODE
3. SUPPLIED WITH SILICON SEALING GASKET

SHELL SIZE	NUMBER OF CONT.	A ±0.4	B ±0.1	C ±0.1	COMPLETED P/N:
1	9	30.8	25.0	17.8	AU001277-09
2	15	39.1	33.3	26.1	AU001277-15
3	25	53.0	47.0	39.8	AU001277-25
4	37	69.3	63.5	56.3	AU001277-37

Materials and Finishes:

- Front Shell - Steel, Tin plated per MIL-T-10727 to 7µm MIN over Electroless Nickel 1.3-2.6 µm
- Rear Shell - Al Alloy 6061-T6, Tin plated per MIL-T-10727 to 7µm MIN over Electroless Nickel 1.3-2.6 µm
- Contacts - Copper Alloy, Gold plated to 1.27µm (50µInch) per MIL-G-45204 over Nickel
- Solder Cups - Copper Alloy, Flash Gold or Tin plated.
- Insulator - Glass Epoxy, UL-94V-0
- Potting - Epoxy Cast
- Gasket - Silicon

Environmental:

- Sealing (Leakage) - Up to 10⁻⁵ cm³/s He @ ΔP=1ata
- Temperature - -40°C to +105°C
- Shock - 40g X 6msec
- Vibration - 20g RMS @ 20-2000Hz
- Humidity - Up to 95% R.H
- Durability - >500 cycles

NAME	POSITION	DATE	THIS DOCUMENT CONTAINS PROPRIETARY INFORMATION OF RF IMMUNITY LTD. AND MAY NOT BE REPRODUCED, COPIED, DISCLOSED OR UTILIZED IN ANY WAY IN WHOLE OR IN PART, WITHOUT THE PRIOR WRITTEN CONSENT OF RF IMMUNITY LTD.	PROJECT	
YURI Z.	MECHANIC. DESIGN	02.06.13		DO NOT MEASURE ON DWG. BREAK SHARP CORNERS. ALL UNDIMENSIONED RADIUS ARE R=0.2	...
YURI Z.	DRAWING	02.06.13			
EYAL RONEN	ELECTR. DESIGN	02.06.13			
REGINA YOFFE	PA.	02.06.13			
Y. SARAGOSSI	APPROVAL	02.06.13	MATERIAL	...	
NEXT ASSY. SURF. FINISH					
...	N7				
SURFACE TREATMENTS:					
...					
ANGLE PROJECTION	TOLER.	TITLE:			
	X. ±0.5	D-SUB, PLUG(MALE), STD. DENSITY MILITARY GRADE, FRONT MOUNTING HERMETICALLY SEALED CONNECTOR.			
	X.X ±0.2				
	X.XX ±0.05				
SCALE N.A.	ANGLES ±30'	SIZE	DRAWING NO.	REV.	
DIM. IN MM	Sheet 1 OF 1	A3	AU001277-XX	0	