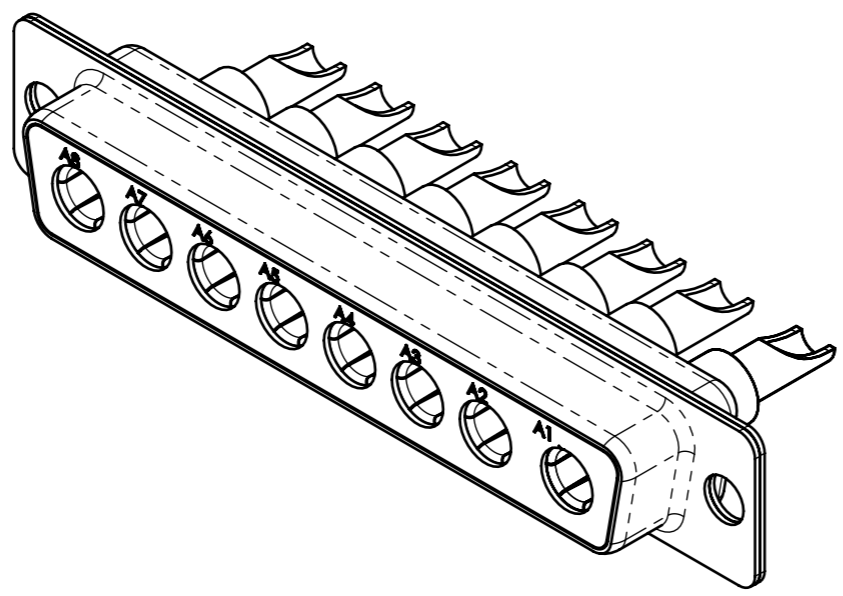
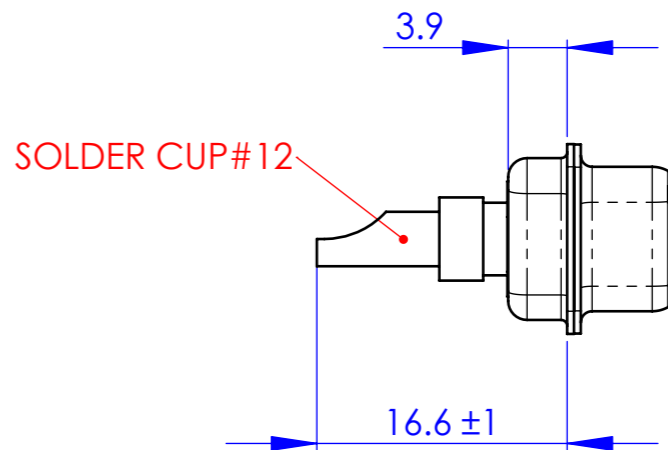
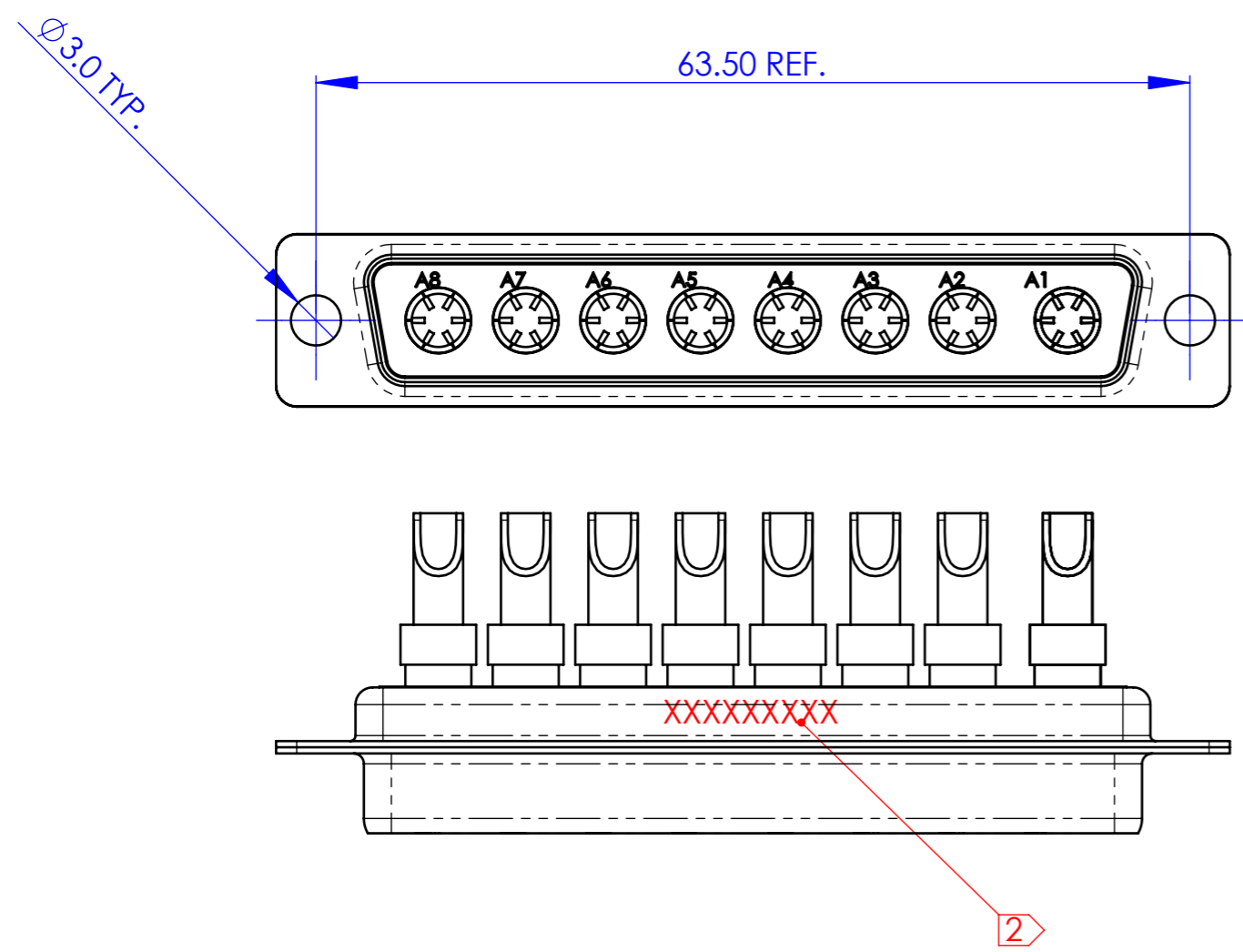


REV.	CHANGE ORDER No.	CHANGES	DATE	APPROVAL



NOTES:  
 1. FILTERED CONNECTOR BASED ON D-SUB COMBO 8W8.  
 2. MARKING: MANUFACTURER P/N, DATE CODE, CUSTOMER P/N:

NAME SIGNATURE	DATE	THIS DOCUMENT CONTAINS PROPRIETARY INFORMATION OF RF IMMUNITY LTD. AND MAY NOT BE REPRODUCED, COPIED, DISCLOSED OR UTILIZED IN ANY WAY IN WHOLE OR IN PART, WITHOUT THE PRIOR WRITTEN CONSENT OF RF IMMUNITY LTD.	PROJECT ...
YURI ZARHIN	23.02.09		
YURI ZARHIN	23.02.09		
EYAL RONEN	23.02.09		
REGINA YOFFE	23.02.09		
NIR NISSIM	23.02.09	DO NOT MEASURE ON DWG. BREAK SHARP CORNERS. ALL UNDIMENSIONED RADIUS ARE R=0.2	...
NEXT ASSY.	SURF. FINISH	MATERIAL	
---	N7	---	
SURFACE TREATMENTS:		---	
---		---	
ANGLE PROJECTION	TOLER.	TITLE: CD FOR D-SUB COMBO 8W8 RECEPTACLE (SOCKET) FILTER CONNECTOR	
	X. ±0.5		
	X.X ±0.2		
	X.XX ±0.05		
	ANGLES ±30'		
SCALE N.A.	SHEET	SIZE	DRAWING NO.
	1	A3	TDC8W8S50006AACF58
DIM. IN	OF		REV.
	2		NEW

## MATERIAL:

SHELL =STEEL, TIN PLATED  
 CONTACTS = COPPER ALLOY, FLASH GOLD PLATED OVER NICKEL.  
 POTTING = EPOXY

REV.	CHANGE ORDER No.	CHANGES	DATE	APPROVAL

## ENVIRONMENTAL CONDITIONS:

DISCRIPTION	LEVEL, DURATION, ECT.	PARAGRAPH PER STANDARD			
		ISO2100	ISO7137	MIL-STD. -1344	MIL-STD. -202
TEMPERATURE	-55 °C TO 105 °C, OPERATING AND STORAGE.	5a			
HUMIDITY	UP TO 95% R.H. @ STORAGE TEMP RANGE.	18b		1002.2	
MECHANICAL SHOCK	40g. X 6ms.		7	2004.1	213
VIBRATION	20 g RMS, 20-2000 Hz.	12		2005.1	201,204,214.
ENDURANCE	200 CYCLES				

## Filter Electrical Characteristics:

Working Voltage                      100V<sub>DC</sub> Line to CGND (Connector Shell)  
 Dielectric Withstanding Voltage    250V<sub>DC</sub> Line to CGND (Connector Shell)  
 Contact Current Rating                35A  
 Insulation Resistance                 1GΩ

### Insertion Loss per MIL-STD-220A in 50Ω System No-Load:

Contact Number	Cap. ±20%	Filter Type	f <sub>co</sub> [kHz]	Minimum Insertion Loss [dB] Vs. Frequency [MHz]						
				1	3	10	30	100	300	1000
All contacts	47nF	C	114	15	24	35	41	38	40	40

NAME SIGNATURE	DATE	THIS DOCUMENT CONTAINS PROPRIETARY INFORMATION OF RF IMMUNITY LTD. AND MAY NOT BE REPRODUCED, COPIED, DISCLOSED OR UTILIZED IN ANY WAY IN WHOLE OR IN PART, WITHOUT THE PRIOR WRITTEN CONSENT OF RF IMMUNITY LTD.
YURI ZARHIN	MECHAN. DESIGN 23.02.09	
YURI ZARHIN	DRAWING 23.02.09	
EYAL RONEN	ELECTR. DESIGN 23.02.09	
REGINA YOFFE	PA. 23.02.09	
NIR NISSIM	APPR. 23.02.09	DO NOT MEASURE ON DWG. BREAK SHARP CORNERS. ALL UNDIMENSIONED RADIUS ARE R=0.2
NEXT ASSY. ....	SURF. FINISH N7	PROJECT ...
SURFACE TREATMENTS: ....		MATERIAL ...
ANGLE PROJECTION	TOLER.	TITLE: CD FOR D-SUB COMBO 8W8 RECEPTACLE (SOCKET) FILTER CONNECTOR
	X. ±0.5 X.X ±0.2 X.XX ±0.05 ANGLES ±30'	SIZE
SCALE N.A.		DRAWING NO.
DIM. IN MM	Sheet2 OF 2	A3
		TDC8W8S50006AACF58
		REV. NEW



**RF Immunity Ltd.**