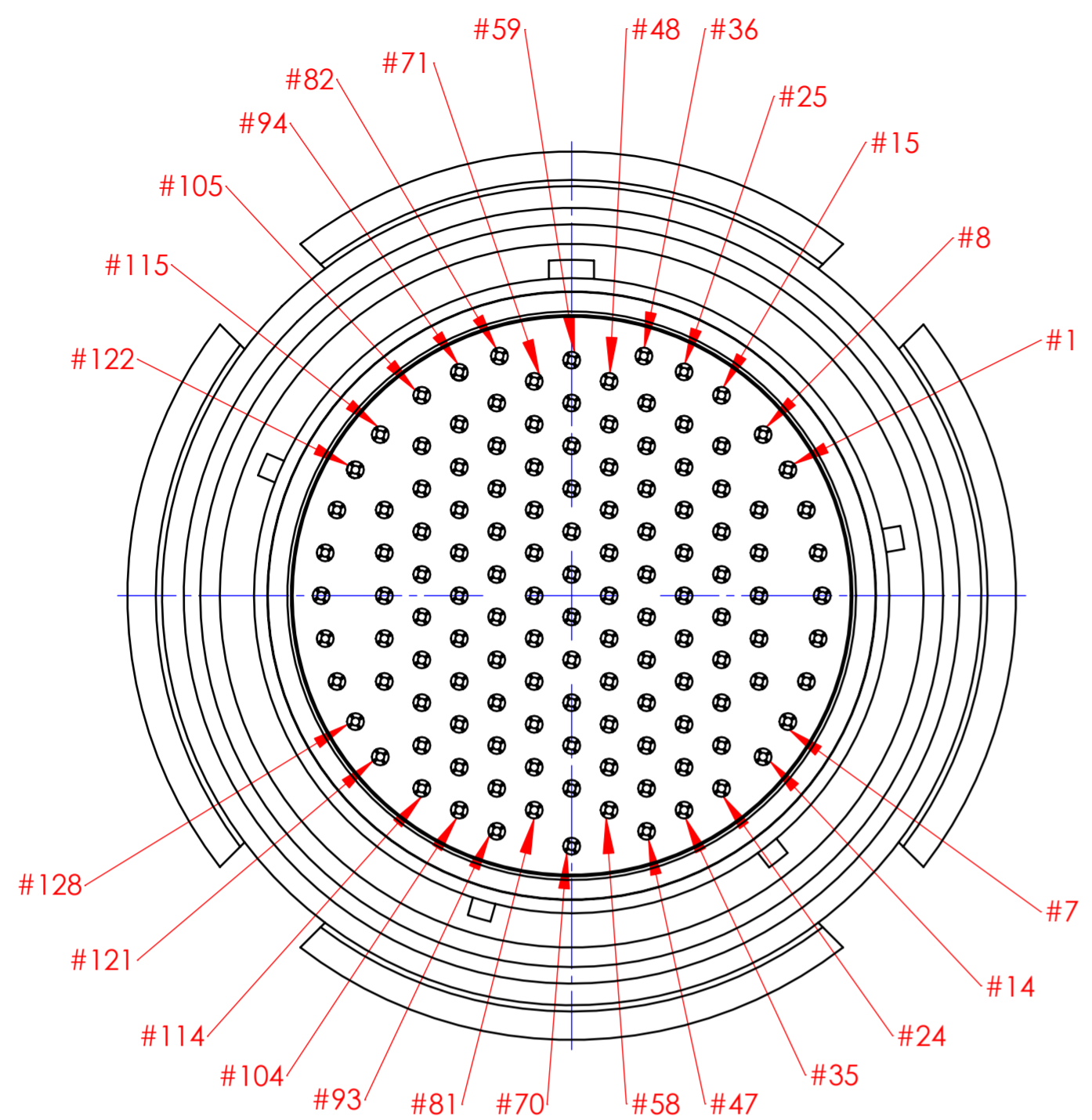
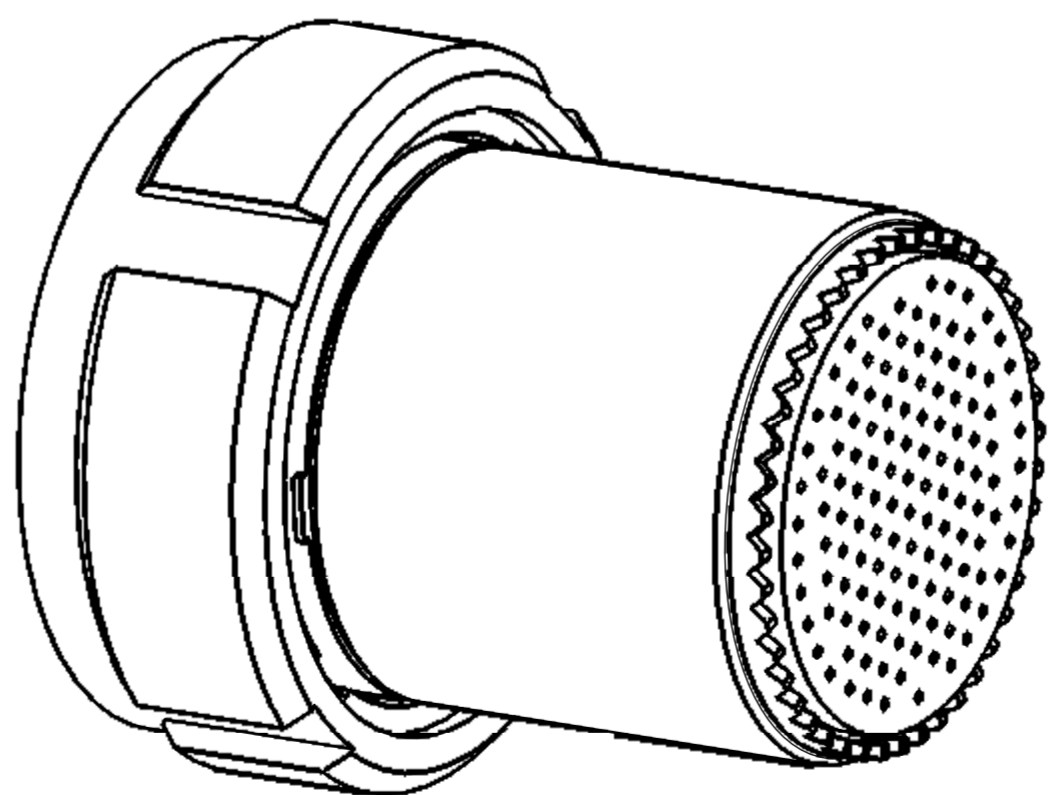
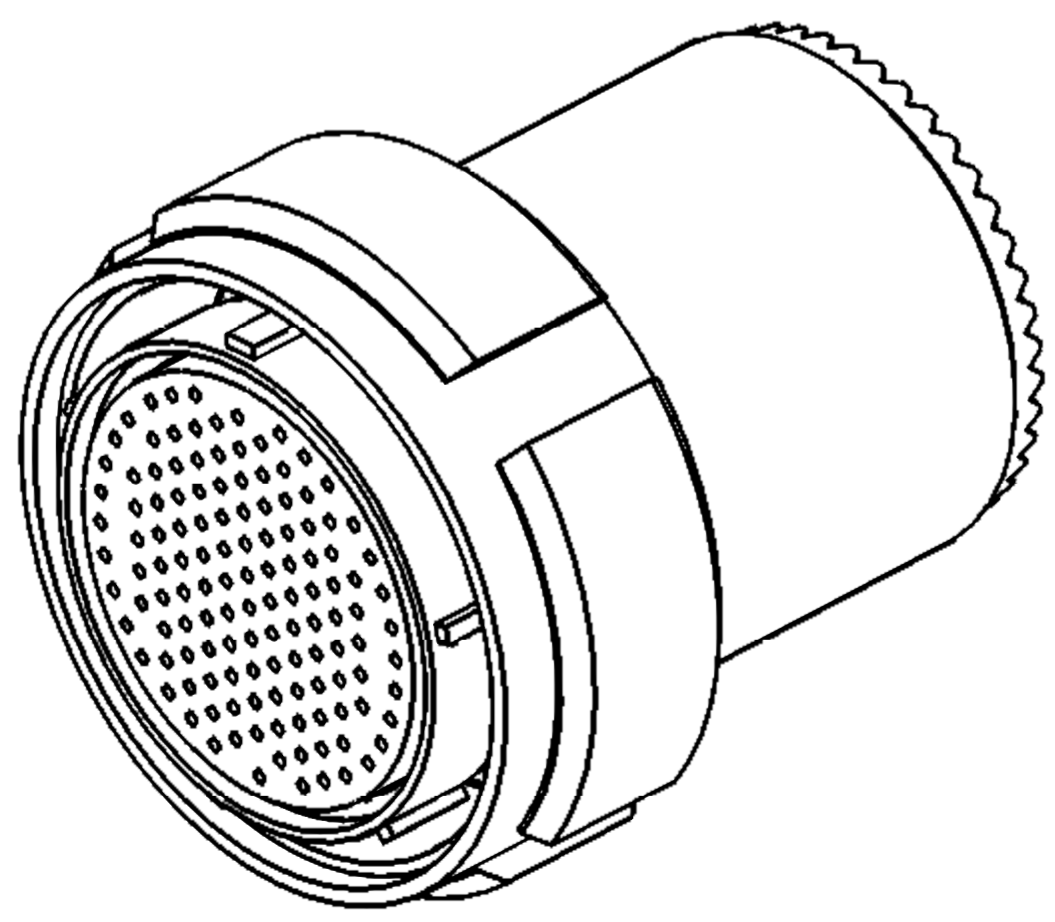
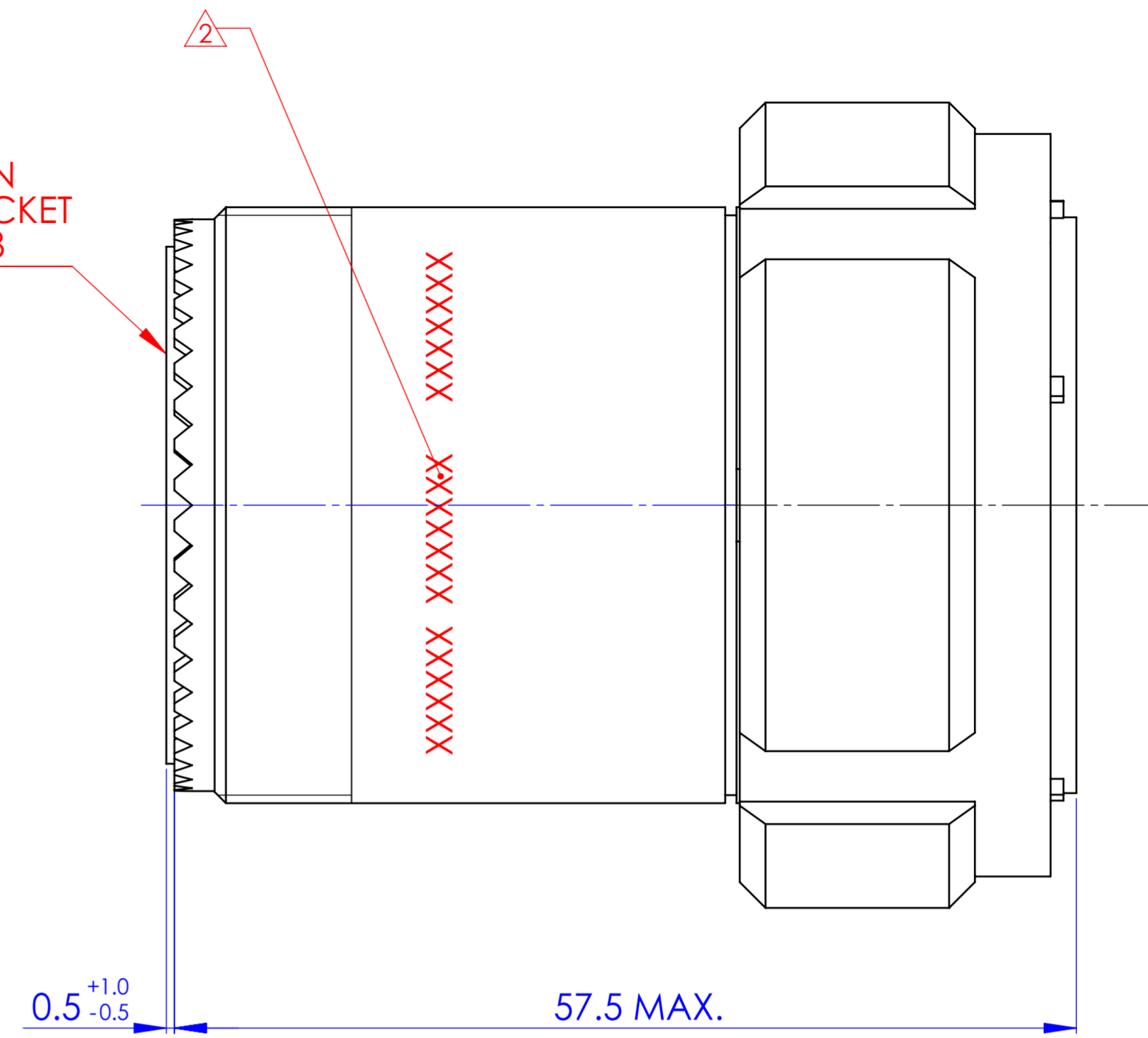


REV.	CHANGE ORDER No.	CHANGES	DATE	APPROVAL



CRIMP TERMINATION
INTENDED FOR #22 SOCKET
P/N: M39029/56-348



NOTES:
1. FILTERED CONNECTOR BASED ON D38999/26WJ35SN
2. MARKING: MANUFACTURER P/N, DATE CODE

NAME	POZITION	DATE	THIS DOCUMENT CONTAINS PROPRIETARY INFORMATION OF RF IMMUNITY LTD. AND MAY NOT BE REPRODUCED, COPIED, DISCLOSED OR UTILIZED IN ANY WAY IN WHOLE OR IN PART, WITHOUT THE PRIOR WRITTEN CONSENT OF RF IMMUNITY LTD.	
YURI ZARHIN	MECHANIC. DESIGN	18.10.11	DO NOT MEASURE ON DWG. BREAK SHARP CORNERS. ALL UNDIMENSIONED RADIUS ARE R=0.5	
YURI ZARHIN	DRAWING	18.10.11		
EYAL RONEN	ELECTR. DESIGN	18.10.11		
REGINA YOFFE	PA.	18.10.11		
NIR NISSIM	APPROVAL	18.10.11	PROJECT	
NEXT ASSY. XXXXX	SURF. FINISH N7		XX	
SURFACE TREATMENTS:			MATERIAL	
ANGLE PROJECTION	TOLER.	TITLE	CD FOR FILTER PLUG CONNECTOR 128 SOCKET CONT., CRIMP TERMINATION BASED ON MIL-DTL-38999/III	
	X. ±0.5 X.X ±0.2 X.XX ±0.05			
SCALE N.A.	ANGLES ±30'	SIZE	DRAWING NO.	REV.
DIM. IN MM	SHEET OF 1 2	A2	AU001214	NEW



Environmental Characteristics:

Description	Value	Paragraph per Standard			
		ISO		MIL-STD	
		2100	7137	1344	202
Sealing	Up to $10^{-3} \text{cm}^3/\text{s}$ @ $\Delta P=1 \text{atm}$				
Vibration (Random)	Up to 40g RMS 20 to 2,000Hz	12		2005.1	201, 204, 214
Vibration (Sine)	Up to 15g PTP 10 to 2,000Hz	12		2005.1	201, 204, 214
Shock	100g X 6ms Half Sine		7	2004.1	213
Climatic					103, 106
Temperature	-55°C to +125°C Operating and Storage				
Humidity	Up to 95% @ Storage Temp. Range	18b		1002.2	
Altitude	Up to 70,000ft	18a	4		
Salt Spray		22		1001.1	101
Sand and Dust		23	12		
Contact Endurance	More than 500 mating cycles	16			

Filter Electrical Characteristics:

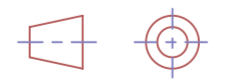
Working Voltage	-	200V _{DC}
Dielectric Withstanding Voltage	-	500V _{DC}
Insulation Resistance	=	5GΩ
RF Current	-	3A
Feed Thru Current	-	5A _{DC} and/or Audio Frequency RMS

P/N	Filter Type	Cap. [pF] ±20%	Location
FLT-25-35-EMI II (N)	C	440	15, 26, 59, 60
	C	220	124, 125
	Feed Thru	100 Max.	All others

REV.	CHANGE ORDER No.	CHANGES	DATE	APPROVAL

Materials and Finishes:

Shell	Aluminum Alloy, Olive Drab Cadmium over Electroless Nickel plating
Contacts	Copper Alloy, 1.3 μm MIN. Gold Plated Over Nickel
Potting	Epoxy Cast

NAME	POSITION	DATE	THIS DOCUMENT CONTAINS PROPRIETARY INFORMATION OF RF IMMUNITY LTD. AND MAY NOT BE REPRODUCED, COPIED, DISCLOSED OR UTILIZED IN ANY WAY IN WHOLE OR IN PART, WITHOUT THE PRIOR WRITTEN CONSENT OF RF IMMUNITY LTD.	
YURI ZARHIN	MECHANIC. DESIGN	18.10.11	DO NOT MEASURE ON DWG. BREAK SHARP CORNERS. ALL UNDIMENSIONED RADIUS ARE R=0.5	
YURI ZARHIN	DRAWING	18.10.11		
EYAL RONEN	ELECTR. DESIGN	18.10.11		
REGINA YOFFE	PA.	18.10.11		
NIR NISSIM	APPROVAL	18.10.11		
NEXT ASSY. SURF. FINISH			PROJECT	
XXXX	N7		XX	
SURFACE TREATMENTS:			MATERIAL	
ANGLE PROJECTION 		TOLER. X. ±0.5 X.X ±0.2 X.XX ±0.05 ANGLES ±30'	TITLE CD FOR FILTER PLUG CONNECTOR 128 SOCKET CONT., CRIMP TERMINATION BASED ON MIL-DTL-38999/III	
SCALE N.A.		SIZE A2	DRAWING NO.	
DIM. IN MM	SHEET OF 2 / 2		AU001214	
			REV. NEW	