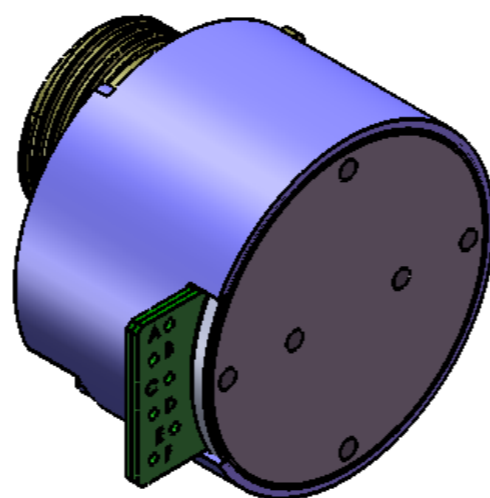
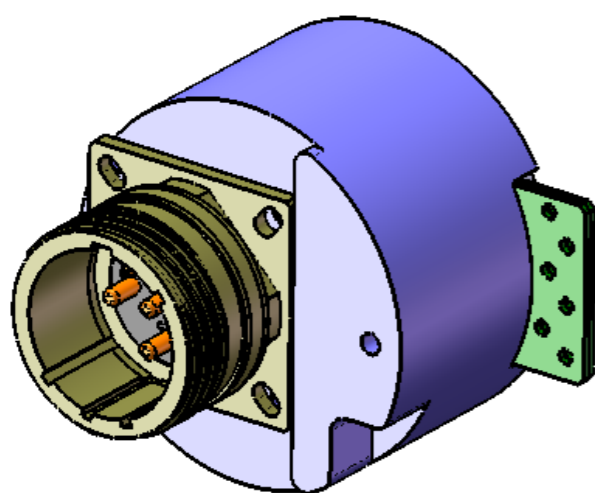
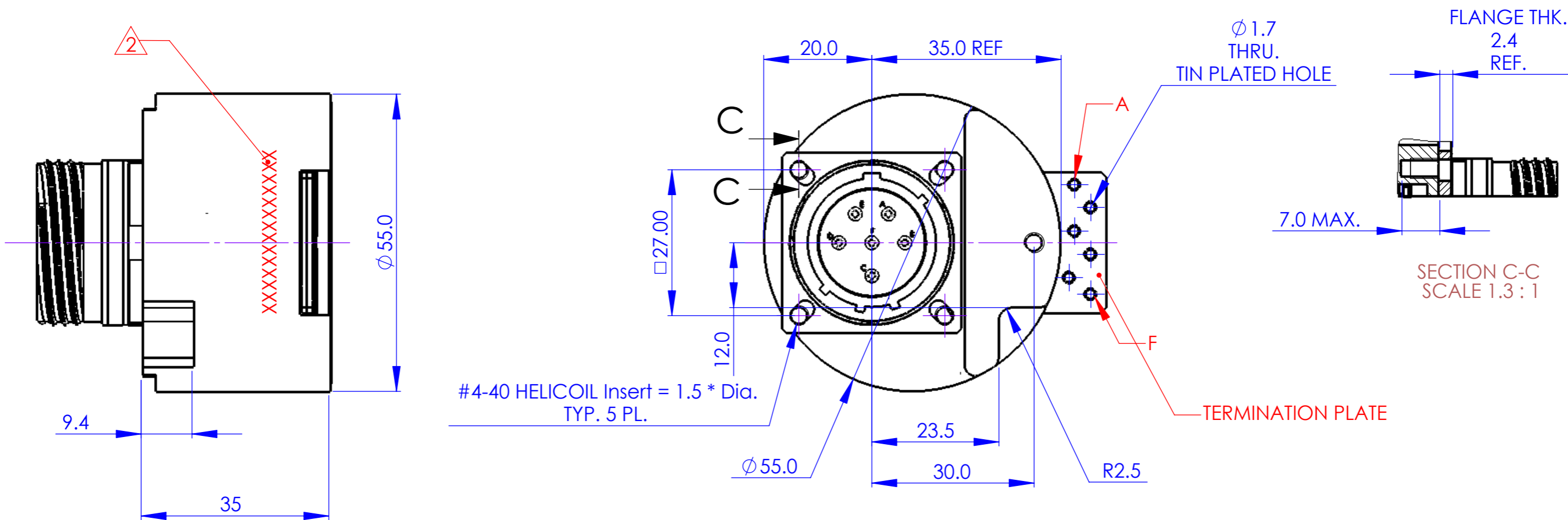


REV.	CHANGE ORDER No.	CHANGES	DATE	APPROVAL
A	48-09	ATTENUATION TABLE CHANGED	09.09.09	EYAL R.



**NOTES:**  
 1. CONNECTOR BASED ON D38999/20WE06PA  
 MARKING: MANUFACTURER P/N, CUSTOMER P/N:3001L470-001, DATE CODE

NAME	POSITION	DATE	THIS DOCUMENT CONTAINS PROPRIETARY INFORMATION OF RF IMMUNITY LTD. AND MAY NOT BE REPRODUCED, COPIED, DISCLOSED OR UTILIZED IN ANY WAY IN WHOLE OR IN PART, WITHOUT THE PRIOR WRITTEN CONSENT OF RF IMMUNITY LTD.	
YURI ZARHIN	MECHANIC. DESIGN	22.06.09	DO NOT MEASURE ON DWG. BREAK SHARP CORNERS. ALL UNDIMENSIONED RADIUS ARE R=0.2	
YURI ZARHIN	DRAWING	22.06.09		
EYAL RONEN	ELECTR. DESIGN	22.06.09		
REGINA YOFFE	PA.	22.06.09		
NIR NISSIM	APPROVAL	22.06.09		
NEXT ASSY.	SURF. FINISH		PROJECT	...
---	N7		MATERIAL	
SURFACE TREATMENTS:			---	
ANGLE PROJECTION	TOLER.	TITLE:		
	X. $\pm 0.5$	CD D38999/III, 6 PIN CONT. FILTERED CONNECTOR		
	X.X $\pm 0.2$	SIZE	DRAWING NO.	REV.
	X.XX $\pm 0.05$	A3	C3W17W06P9A150081	A
SCALE N.A.	ANGLES $\pm 30'$			
DIM. IN MM	Sheet 1 OF 2			



**RF Immunity Ltd.**

## Materials and Finishes:

Shell	Aluminum Alloy, Olive Drab Cadmium Plating
Back Shell	Aluminum Alloy, Electroless Nickel Plating
Contacts	Copper Alloy, Gold Plated Over Nickel
Potting	Epoxy Cast

## Environmental Characteristics:

Description	Value	Paragraph per Standard			
		ISO		MIL-STD	
		2100	7137	1344	202
Sealing	Up to $10^{-3} \text{cm}^3/\text{s}$ @ $\Delta P=1 \text{atm}$				
Vibration (Random)	Up to 40g RMS 20 to 2,000Hz	12		2005.1	201, 204, 214
Vibration (Sine)	Up to 15g PTP 10 to 2,000Hz	12		2005.1	201, 204, 214
Shock	100g X 6ms Half Sine		7	2004.1	213
Climatic					103, 106
Temperature	-55°C to +125°C Operating and Storage				
Humidity	Up to 95% @ Storage Temp. Range	18b		1002.2	
Altitude	Up to 70,000ft	18a	4		
Salt Spray		22		1001.1	101
Sand and Dust		23	12		
Contact Endurance	More than 500 mating cycles	16			

## Filter Electrical Characteristics:

Working Voltage -  $1250V_{DC}$   
 $115V_{AC}/400\text{Hz}$   
 D.W.V. -  $1250V_{DC}$

Contact	Current Rating [A]	Ind. [mH] $\pm 30\%$	Cap. [nF] $\pm 20\%$	Min. I.R. [ $\Omega$ ]	Min. Attenuation [dB] Vs. Frequency [Hz] per MIL-STD-220 in 50 $\Omega$ System / No-Load					
					10k	100k	1M	10M	100M	1G
F (Phase)	6	35	29.2	1M	20	30	40	45	60	55
C (Neutral)	6	35	29.2	1M	20	30	40	45	60	55
D (CGND)	-	-	-	-	-	-	-	-	-	-
All others	6	-	16.2	5G	-	-	5	30	60	60

REV.	CHANGE ORDER No.	CHANGES	DATE	APPROVAL

NAME	POSITION	DATE	THIS DOCUMENT CONTAINS PROPRIETARY INFORMATION OF RF IMMUNITY LTD. AND MAY NOT BE REPRODUCED, COPIED, DISCLOSED OR UTILIZED IN ANY WAY IN WHOLE OR IN PART, WITHOUT THE PRIOR WRITTEN CONSENT OF RF IMMUNITY LTD.
YURI ZARHIN	MECHANIC. DESIGN	22.06.09	
YURI ZARHIN	DRAWING	22.06.09	
EYAL RONEN	ELECTR. DESIGN	22.06.09	
REGINA YOFFE	PA.	22.06.09	
NIR NISSIM	APPROVAL	22.06.09	DO NOT MEASURE ON DWG. BREAK SHARP CORNERS. ALL UNDIMENSIONED RADIUS ARE R=0.2
NEXT ASSY.	SURF. FINISH		PROJECT
---	N7		---
SURFACE TREATMENTS:			MATERIAL
----			----
ANGLE PROJECTION	TOLER.	TITLE:	CD D38999/III, 6 PIN CONT. FILTERED CONNECTOR
	X. $\pm 0.5$ X.X $\pm 0.2$ X.XX $\pm 0.05$ ANGLES $\pm 30'$		
SCALE N.A.	SHEET 2 OF 2	SIZE	DRAWING NO.
DIM. IN MM		A3	C3W17W06P9A150081
			REV. A



**RF Immunity Ltd.**