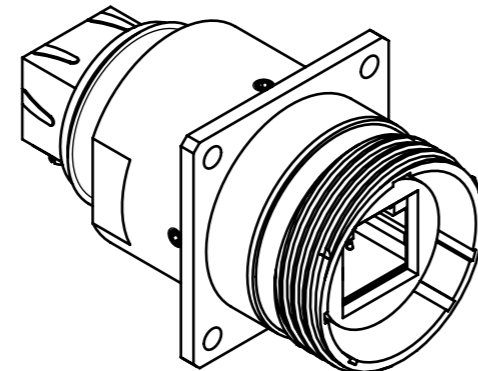
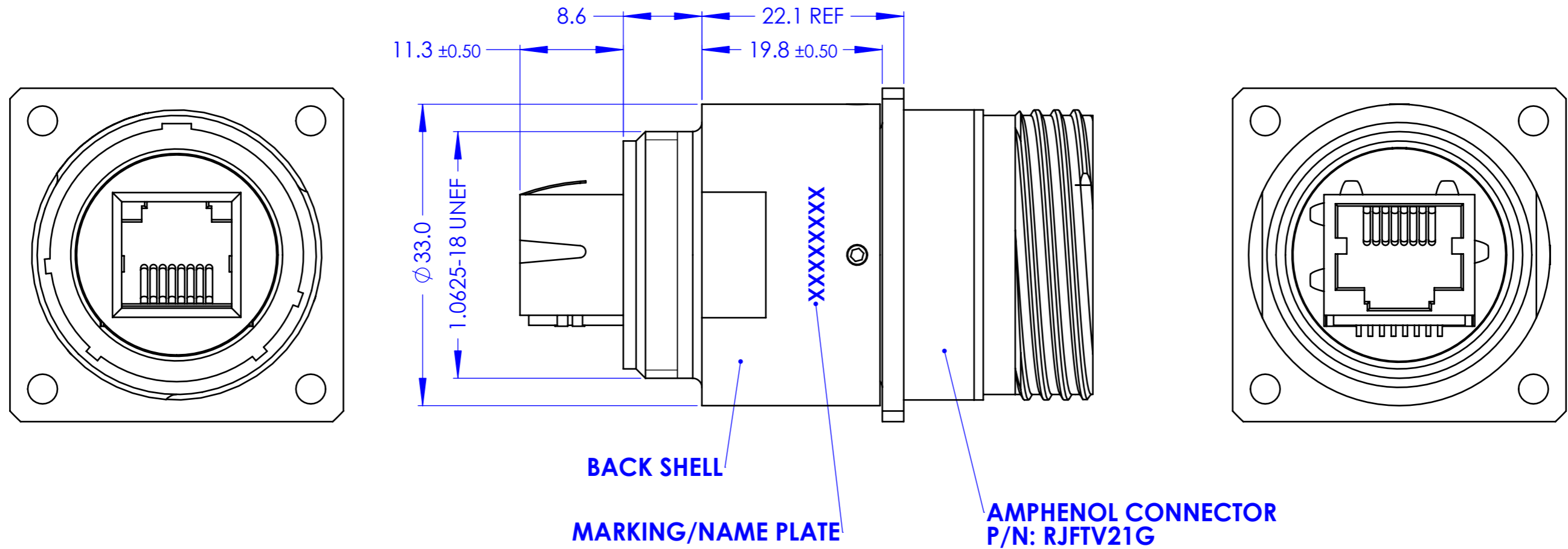
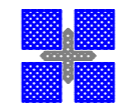


REV.	CHANGE ORDER No.	CHANGES	DATE	APPROVAL
X	XXXX	XXXXX	XXXXX	XXXXX



PRODUCT P/N: AU001036

NAME	SIGNATURE	DATE	THIS DOCUMENT CONTAINS PROPRIETARY INFORMATION OF RF IMMUNITY LTD. AND MAY NOT BE REPRODUCED, COPIED, DISCLOSED OR UTILIZED IN ANY WAY IN WHOLE OR IN PART, WITHOUT THE PRIOR WRITTEN CONSENT OF RF IMMUNITY LTD. DO NOT MEASURE ON DWG. BREAK SHARP CORNERS. ALL UNDIMENSIONED RADIUS ARE R=0.5	PROJECT	
	YOSI HAVIV	15.03.06			DRAFT
	GENADY TSINKER	15.03.06			CHECK
	NIR NISSIM	15.03.06			DESIGN
	REGINA YOFFE	15.03.06			PA.
	TINO NACSON	15.03.06	APPR.		
NEXT ASSY.	SURF. FINISH				
		N7			
SURFACE TREATMENTS:			MATERIAL		
ANGLE PROJECTION	TOLER.	TITLE			
	X. ±0.5	10/100/100 Mb/sec ETHERNET FILTERED CONNECTOR			
	X.X ±0.2				
	X.XX ±0.05				
SCALE	1:1	ANGLES ±30'	SIZE	DRAWING NO.	
			A3	CDAU001036	
DIM. IN	MM	SHEET OF	1 OF 2	REV. NEW	



RF Immunity Ltd.

MATERIAL:

SHELL = ALUMINUM, OLIVE DRAB CADMIUM PLATING.
 BACK SHELL= ALUMINUM, NICKEL PLATING.
 POTTING = EPOXY

REV.	CHANGE ORDER No.	CHANGES	DATE	APPROVAL
X	XXXX	XXXXX	XXXXX	XXXXX

ENVIRONMENTAL CONDITIONS:

DISCRIPTION	LEVEL, DURATION, ECT.	PARAGRAPH PER STANDARD			
		ISO2100	ISO7137	MIL-STD. -1344	MIL-STD. -202
TEMPERATURE	-40 °C TO 85 °C, OPERATING AND STORAGE.	5a			
ALTITUDE	UP TO 70000 ft.	18a	4		
SALT SPRAY	48 HOURS.				
HUMIDITY	UP TO 95% R.H. @ STORAGE TEMP RANGE.	18b		1002.2	
SAND AND DUST		23	12		
MECHANICAL SHOCK	100g. X 6ms. HALF SINE.		7	2004.1	213
VIBRATION (RANDOM)	UP TO 40g. RMS, 20 TO 2000 Hz.	12		2005.1	201,204,214.
VIBRATION (SINE)	UP TO 15g. ptp, 20 TO 2000 Hz.	12		2005.1	201,204,214.

Electrical Performance

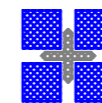
Voltage Rating 200V_{DC} (L-G)
 Current Rating 1.5A max
 Insulation Resistance 500MΩ min
 Filter type: Balanced Pi
 Typical Capacitance L-L 22pF ±20% ; Measured on contacts (1 to 2) and (3 to 6)
 Attenuation L-G – Measured in 50Ω System, no load ; contacts (1&2 to CGND) and (3&6 to CGND)

Typical:

Frequency	1MHz	5MHz	10MHz	50MHz	100MHz	500MHz	1GHz
Attenuation [dB]	0	1	5	10	12	25	35

Table 1

NAME SIGNATURE	DATE		THIS DOCUMENT CONTAINS PROPRIETARY INFORMATION OF RF IMMUNITY LTD. AND MAY NOT BE REPRODUCED, COPIED, DISCLOSED OR UTILIZED IN ANY WAY IN WHOLE OR IN PART, WITHOUT THE PRIOR WRITTEN CONSENT OF RF IMMUNITY LTD.
YOSI HAVIV	15.03.06	DRAFT	
GENADY TSINKER	15.03.06	CHECK	
NIR NISSIM	15.03.06	DESIGN	
REGINA YOFFE	15.03.06	PA.	
TINO NACSON	15.03.06	APPR.	
NEXT ASSY. XXXXX	SURF. FINISH N7		DO NOT MEASURE ON DWG. BREAK SHARP CORNERS. ALL UNDIMENSIONED RADIUS ARE R=0.5
SURFACE TREATMENTS: XXXXX			PROJECT XX
			MATERIAL XXXXX
ANGLE PROJECTION	TOLER.	TITLE	10/100/100 Mb/sec ETHERNET FILTERED CONNECTOR
	X. ±0.5 X.X ±0.2 X.XX ±0.05		
SCALE 1:1	ANGLES ±30'	SIZE	DRAWING NO.
DIM. IN MM	SHEET OF 2 2	A3	CDAU001036
			REV. NEW



RF Immunity Ltd.