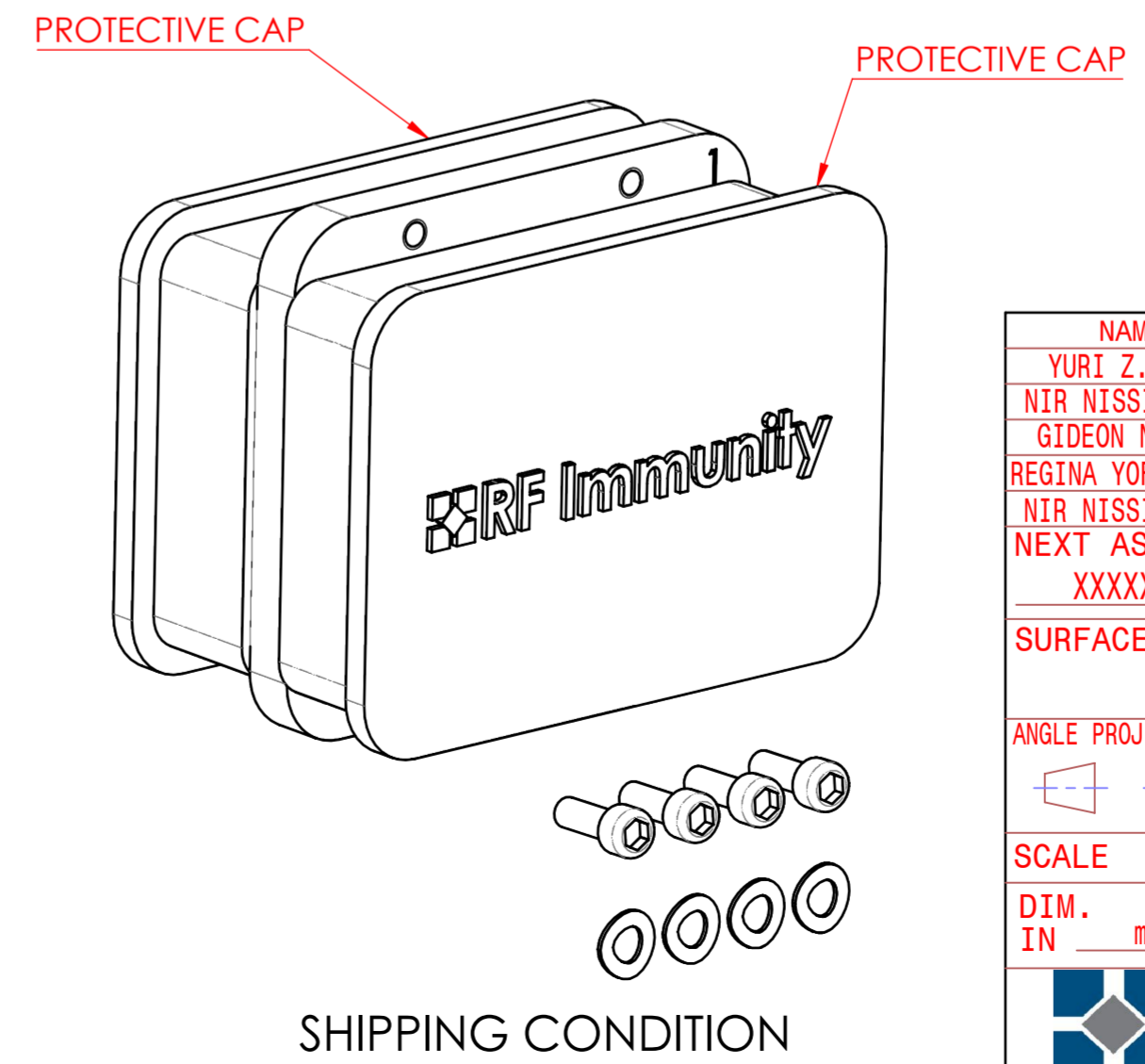
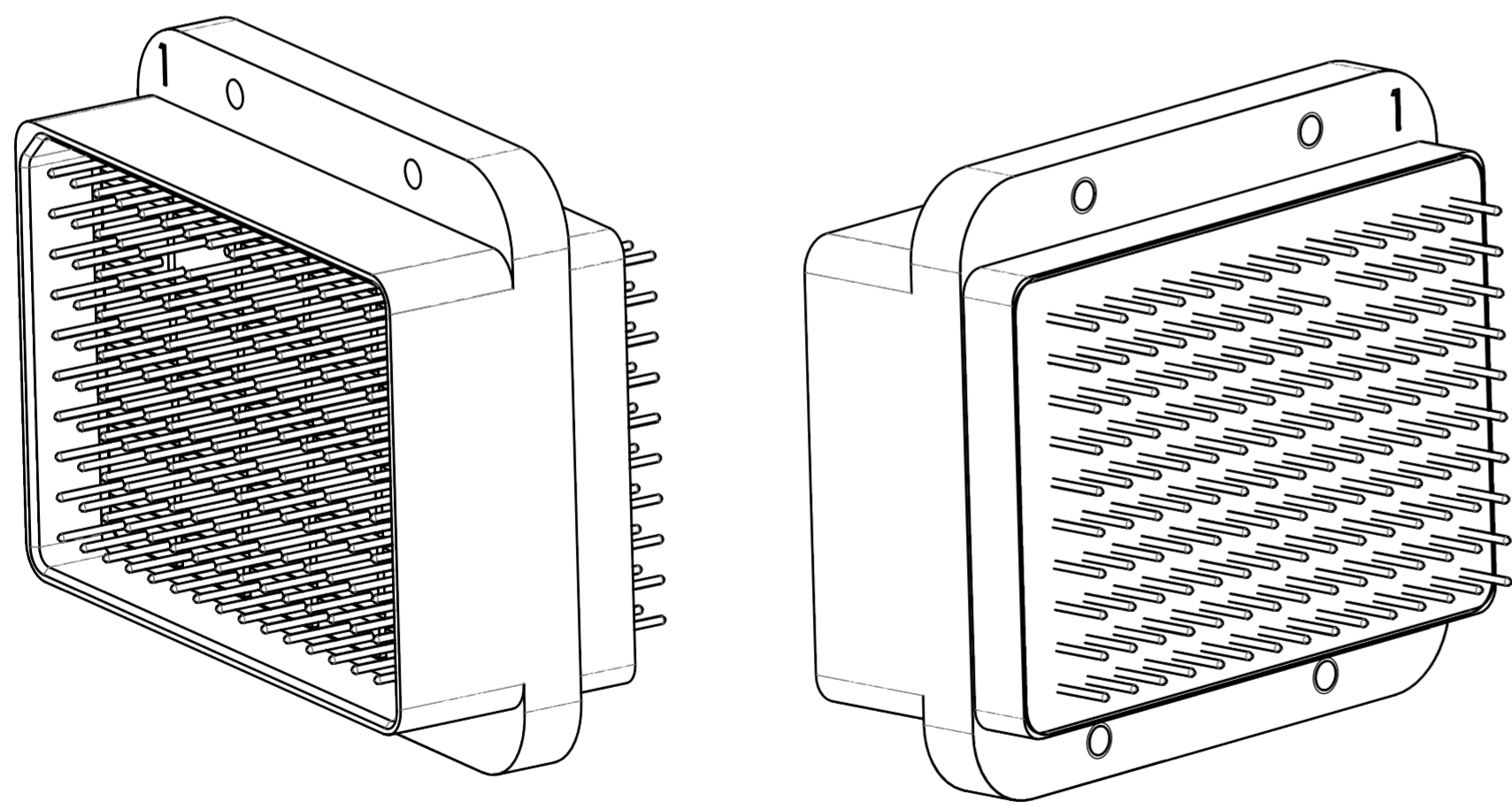
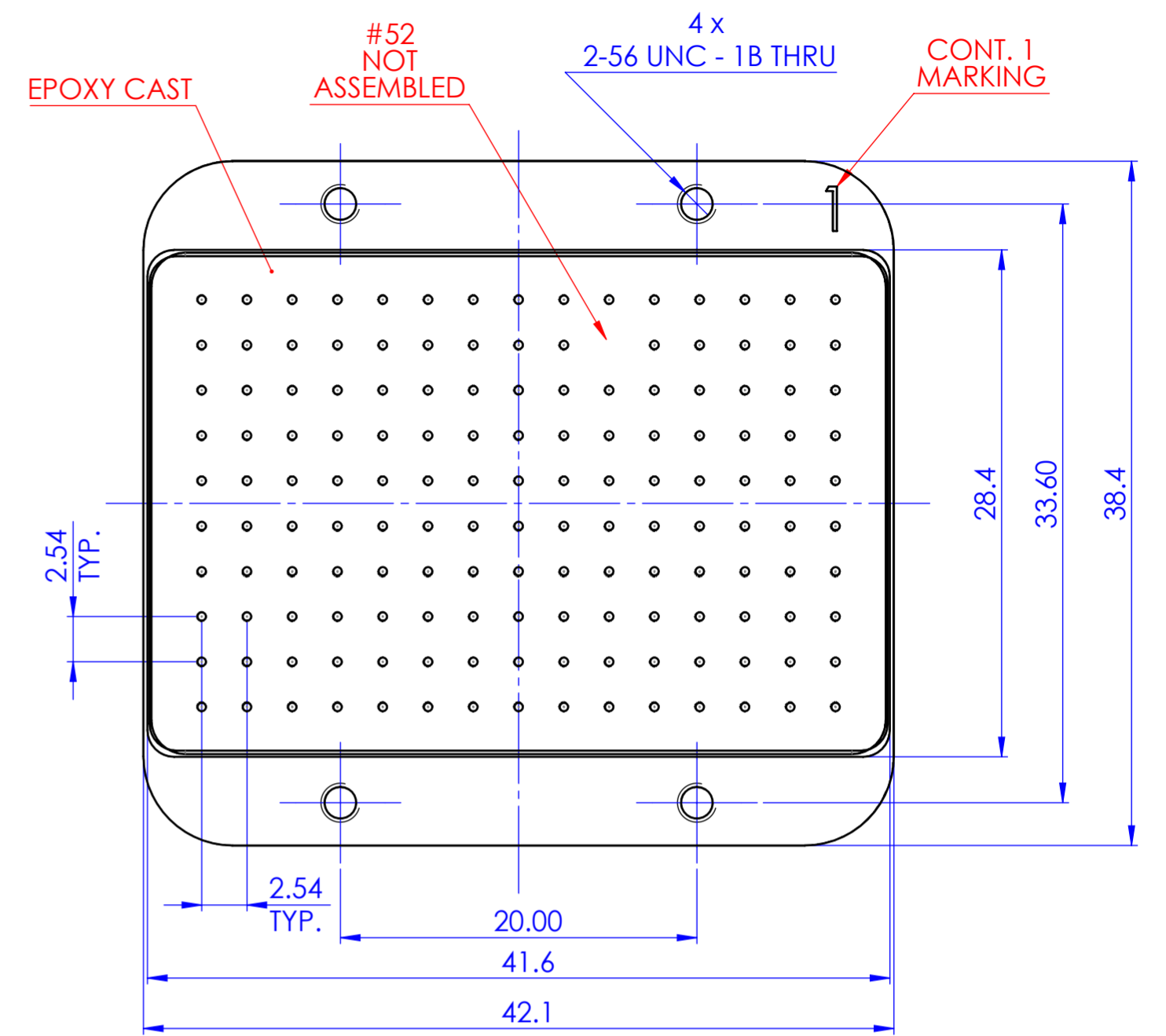
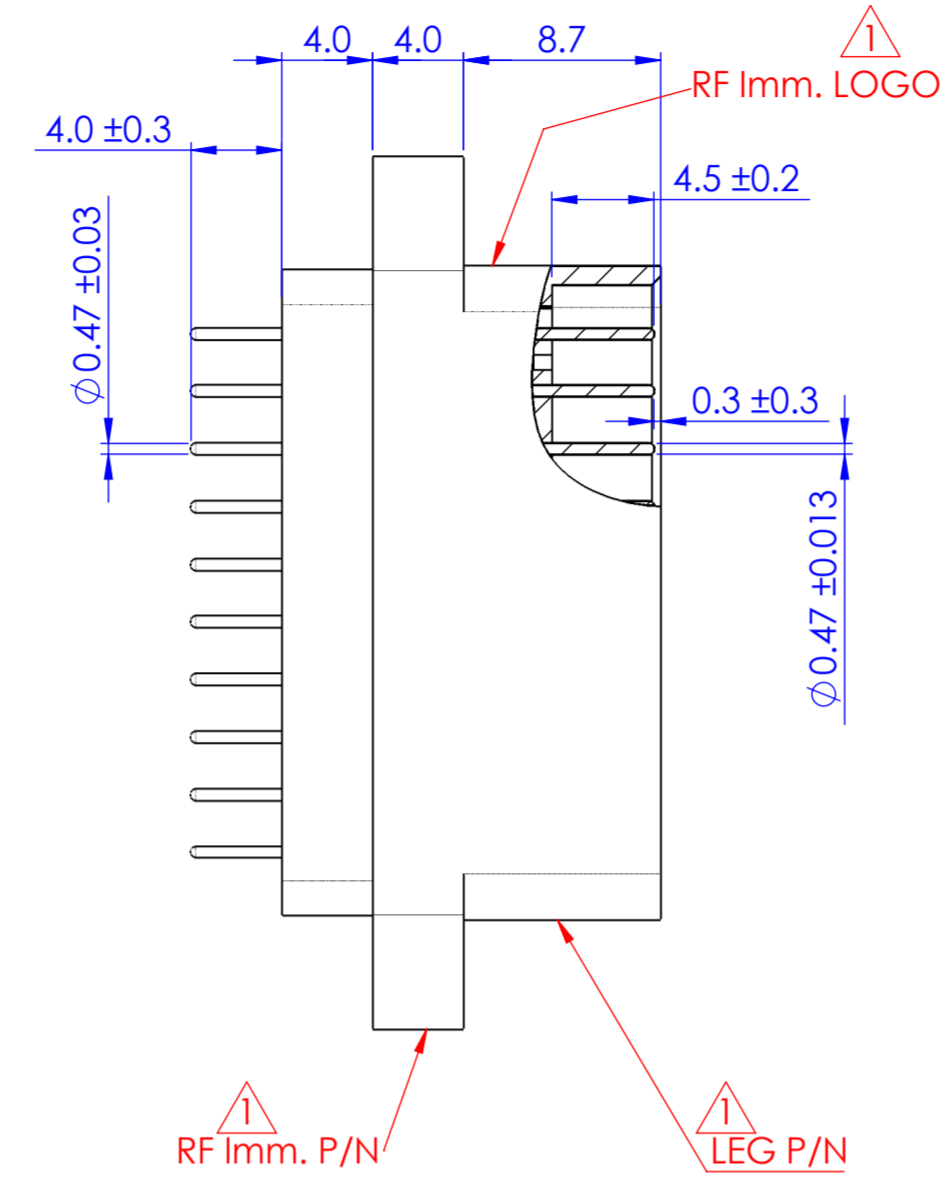
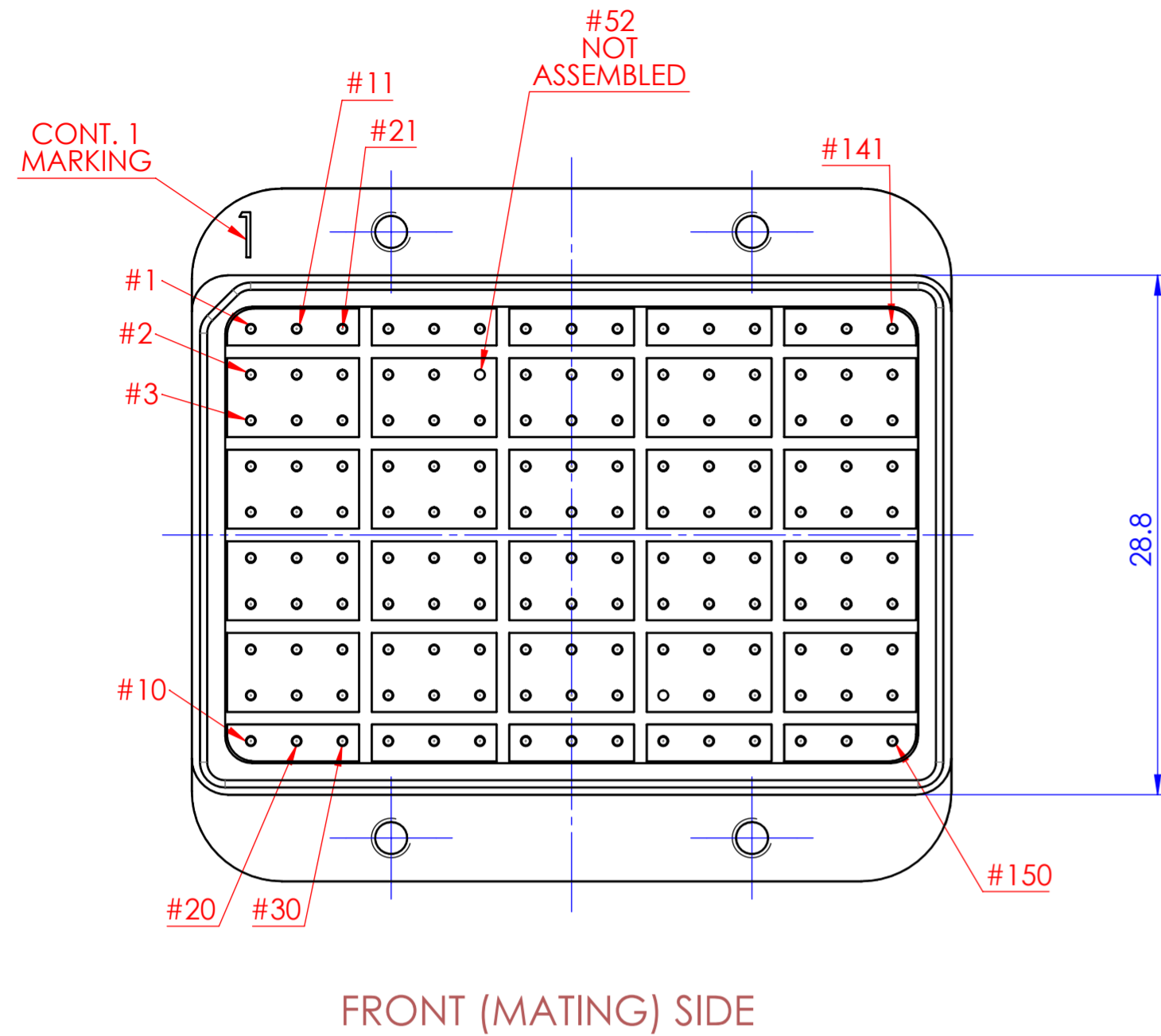


REV.	CHANGE ORDER No.	CHANGES	DATE	APPROVAL
A	--	RELEASED FORMALLY	10/07/20	YURI Z.



- NOTES:
- MARKING: LIF0118, RF Immunity LOGO+P/N , DATE CODE (mm.YY)
 - BASED ON CUSTOMER P/N: LIF0118-SPF01
 - SUPPLIED WITH FASTENERS AS KIT:
 - Screw 2-56x1/4" (ANSI B18.3) – A4 Stainless Steel - 4pc's
 - Curved Washer 2.3 per DIN 137 form A, A2 or equiv., Stainless Steel - 4pc's

NAME	DATE		THIS DOCUMENT CONTAINS PROPRIETARY INFORMATION OF RF IMMUNITY LTD. AND MAY NOT BE REPRODUCED, COPIED, DISCLOSED OR UTILIZED IN ANY WAY IN WHOLE OR IN PART, WITHOUT THE PRIOR WRITTEN CONSENT OF RF IMMUNITY LTD.	
YURI Z.	26.01.20	MECH. DESIGN		
NIR NISSIM	26.01.20	CHECK		
GIDEON N.	26.01.20	ELECTR. DESIGN		
REGINA YOFFE	26.01.20	PA.		
NIR NISSIM	26.01.20	APPR.		
NEXT ASSY.	SURF. FINISH		DO NOT MEASURE ON DWG. BREAK SHARP CORNERS. ALL UNDIMENSIONED RADIUS ARE R=0.5	PROJECT
XXXX	N7			XX
SURFACE TREATMENTS:			MATERIAL	
ANGLE PROJECTION	TOLER.		TITLE	
	X. ±0.5		CD FOR RECTANGULAR	
	X.X ±0.1		150 CONT. RECEPTACLE, MALE	
	X.XX ±0.05		FILTER BLOCK B CONNECTOR	
SCALE	N.A.	ANGLES ±30'	SIZE	DRAWING NO.
DIM. IN	mm		A2	AU001463-2
	SHEET OF	1 2		REV. A



TABLE 1:

Environmental Characteristics:

Description	Value	Test Method
Sealing	Leakage 10^{-3}cm ³ /sec Helium @ ΔP=1atm	RF Imm. P.S. 090516
Vibration		Per para 3.2.1 @ LIF0118-SPF01 specification
Temperature and Thermal Impact	-40°C to +125°C Operating -55°C to +85°C Storage	Per para 3.1.1.1 and para 2.2.1 @ LIF0118-SPF01 specification
Humidity	Up to 95% @ Storage Temp. Range	Per para 3.1.4 @ LIF0118-SPF01 specification
Altitude		Per para 3.1.2 @ LIF0118-SPF01 specification
Salt Spray	48 hours	MIL-STD-810F Method 509.4 Procedure I
Fungus		Per para 3.3.1 @ LIF0118-SPF01 specification
Shock		Per para 3.2.2.2 @ LIF0118-SPF01 specification

TABLE 2:

Materials and Finishes:

Shell	Aluminum Alloy, Electroless Nickel plating
Contacts	Copper Alloy, 1.27μm Gold plated Over Nickel
Insulator	High grade Plastic
Potting	Epoxy Cast

REV.	CHANGE ORDER No.	CHANGES	DATE	APPROVAL

TABLE 3:

Filter Electrical Characteristics

Insulation Resistance = 1GΩ @ 100V_{DC}

Current Rating: 3A

Typical Attenuation per MIL-STD-220 (50Ω System; No Load):

Contacts No.	W.V. [V _{DC}]	D.W.V. [V _{DC}]	Filter Type	Cap.	f _{CO} [MHz]	Attenuation [dB] vs. Frequency [MHz]			
						1	10	100	1000
1, 2, 11-14, 17, 18, 24, 26-29, 36-40, 48-50, 59, 60, 96, 102-104, 108, 112-114, 117, 118, 123, 124, 127, 133-135, 142, 143, 145, 150	200	500	Pi	136pF ±20%	55	0	0	7	40
3-5, 21, 31-33, 41-43, 53, 131, 141	200	500	Pi	9.4nF ±15%	0.76	0	10	52	44
6, 7, 15, 16, 19, 20, 25, 30, 51, 61-63, 71-73, 81, 91, 97-101, 105-107, 109, 111, 115, 116, 121, 122, 125, 126, 128, 132, 136-138, 144, 146-148	200	500	Pi	94pF ±20%	65.5	0	0	5	48
8, 9, 34, 35, 44-47, 54-58, 64-70, 74-80, 84-90, 92-95, 110, 119, 120, 129, 130, 139, 140, 149	200	500	Pi	200pF ±20%	30	0	0	10	40
22, 23	200	500	Pi	30pF ±20%	125	0	0	1	45
82, 83	200	500	Pi	940pF ±15%	7.6	0	3	28	40
52 - Not Assembled	-	-	-	-	-	-	-	-	-
10	-	-	GND	-	-	-	-	-	-

NAME	DATE		THIS DOCUMENT CONTAINS PROPRIETARY INFORMATION OF RF IMMUNITY LTD. AND MAY NOT BE REPRODUCED, COPIED, DISCLOSED OR UTILIZED IN ANY WAY IN WHOLE OR IN PART, WITHOUT THE PRIOR WRITTEN CONSENT OF RF IMMUNITY LTD.	
YURI Z.	26.01.20	MECH. DESIGN		
NIR NISSIM	26.01.20	CHECK		
LEONID B.	26.01.20	ELECTR. DESIGN		
REGINA YOFFE	26.01.20	PA.		
NIR NISSIM	26.01.20	APPR.		
NEXT ASSY.	SURF. FINISH		DO NOT MEASURE ON DWG. BREAK SHARP CORNERS. ALL UNDIMENSIONED RADIUS ARE R=0.5	PROJECT XX
XXXX	N7			
SURFACE TREATMENTS:			MATERIAL	
ANGLE PROJECTION	TOLER.	TITLE	CD FOR RECTANGULAR 150 CONT. RECEPTACLE, MALE FILTER BLOCK B CONNECTOR	
	X. ±0.5 X.X ±0.1 X.XX ±0.05			
SCALE	N.A.	ANGLES ±30'	SIZE	DRAWING NO.
DIM. IN	mm	SHEET OF	2 2	A2
				AU001463-2
				REV. A