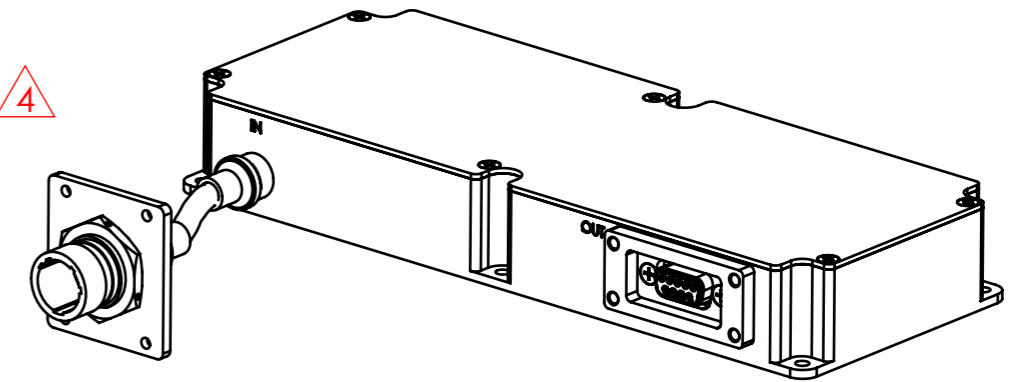


REV.	CHANGE ORDER No.	CHANGES	DATE	APPROVAL

DRAFT-6



- NOTES:
1. MARKING: MANUFACTURER P/N & DATECODE
 2. NAMEPLATE SHALL BE PLACED SYMMETRIC TO THE CENTERLINES
 3. NAMEPLATE SHALL BE READABLE IN THE SAME DIRECTION AS SHOWN
 4. BOND NAMEPLATE AS SHOWN BY PEELING OFF THE PROTECTIVE COVER

NAME	POSITION	DATE	THIS DOCUMENT CONTAINS PROPRIETARY INFORMATION OF RF IMMUNITY LTD. AND MAY NOT BE REPRODUCED, COPIED, DISCLOSED OR UTILIZED IN ANY WAY IN WHOLE OR IN PART, WITHOUT THE PRIOR WRITTEN CONSENT OF RF IMMUNITY LTD.	PROJECT	
REUVEN S	MECHANIC. DESIGN	07/11/19		DO NOT MEASURE ON DWG. BREAK SHARP CORNERS. ALL UNDIMENSIONED RADIUS ARE R=0.2	...
REUVEN S	DRAWING	07/11/19			
LEONID B.	ELECTR. DESIGN	07/11/19			
REGINA YOFFE	PA.	07/11/19			
YURI ZARHIN	APPROVAL	07/11/19	MATERIAL	...	

SURFACE TREATMENTS: ----		TITLE: FILTER AND LIGHTNING PROTECTION BOX	
ANGLE PROJECTION 	TOLER. X. ±0.5 X.X ±0.2 X.XX ±0.05 ANGLES ±30'	SCALE N.A.	SIZE A3
DIM. IN MM	Sheet 1 OF 1	DRAWING NO. EM-AU001457	REV. NEW

REV.	CHANGE ORDER No.	CHANGES	DATE	APPROVAL

Typical Attenuation (Measured per MIL-STD-220; 50Ω System; No Load):

AC Line:

Mode	Attenuation [dB] vs. Frequency [MHz]					
	0.01	0.1	1	10	100	1000
L-L	16	50	50	-	-	-
L-GND	-	-	16	58	55	50

DC Line:

Mode	Attenuation [dB] vs. Frequency [MHz]					
	0.01	0.1	1	10	100	1000
DM	10	47	50	-	-	-
CM	-	-	16	58	55	50

Electrical Specification:

- Pinout table

Signal	INPUT D38999/24WB35PN	Output – D9 Female
Phase A	1,10	1,6
Phase B	7,8	2,7
Phase C	3,4	3,8
GND	6,12	5
28Vdc	9	4
28VdcRTN	13	9
Spare	5	

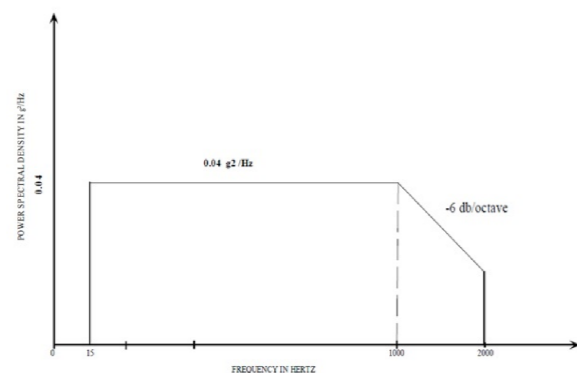
- Nominal Working Voltage
 - AC Voltage: 115V/400Hz per MIL-STD-704D
 - DC Voltage: 28Vdc per MIL-STD-704D
- Maximum Working Current
 - AC Lines: 5A each line
 - DC Lines: 2.5A each line
- Transient Protection: per MIL-STD-704D
- Lightning Protection: per RTCA-DO160E Section 22 WF3/5a Level 3
- Reverse Polarity Protection for DC: 0 – (-36)V

Materials and Finishes:

Box	AL 6061-T6 , Yellowish Alodine plating
Plate	AL 6061-T6 , Yellowish Alodine plating

Environmental Characteristics

- Working/Storage Temperature: (-40)°C – (+85)°C
- Altitude 60000 ft
- IP 67
- Vibration: per MIL-STD-810F(see graph below)



NAME	POSITION	DATE	THIS DOCUMENT CONTAINS PROPRIETARY INFORMATION OF RF IMMUNITY LTD. AND MAY NOT BE REPRODUCED, COPIED, DISCLOSED OR UTILIZED IN ANY WAY IN WHOLE OR IN PART, WITHOUT THE PRIOR WRITTEN CONSENT OF RF IMMUNITY LTD.	PROJECT
REUVEN S	MECHANIC. DESIGN	07/11/19		
REUVEN S	DRAWING	07/11/19		
LEONID B.	ELECTR. DESIGN	07/11/19		
REGINA YOFFE	PA.	07/11/19		
YURI ZARHIN	APPROVAL	07/11/19	DO NOT MEASURE ON DWG. BREAK SHARP CORNERS. ALL UNDIMENSIONED RADIUS ARE R=0.2	---
NEXT ASSY.	SURF. FINISH		MATERIAL	
---	N7		SURFACE TREATMENTS: ----	
ANGLE PROJECTION	TOLER.	TITLE: FILTER AND LIGHTENING PROTECTION BOX		
	X. ±0.5			
	X.X ±0.2			
	X.XX ±0.05			
SCALE N.A.	ANGLES ±30'	SIZE	DRAWING NO.	REV.
DIM. IN	Sheet2 OF 1	A3	EM-AU001457	NEW